

DMH 28X

Dosing pump

Installation and operating instructions



Further languages

<http://net.grundfos.com/qri/i99558950>

be
think
innovate

GRUNDFOS 

Original installation and operating instructions

CONTENTS

	Page		Page
1. General information	2	9.5 Electric servomotor (optional)	27
1.1 Introduction	2	9.6 Electronic preselection counter (optional)	27
1.2 Applications	2	9.7 Electrically heated dosing head (optional)	27
2. Safety	3	10. Maintenance	27
2.1 Identification of safety instructions in this manual	3	10.1 General notes	27
2.2 Qualification and training of personnel	3	10.2 Diaphragm leakage control for diaphragm leakage detection	27
2.3 Risks when safety instructions are not observed	3	10.3 Cleaning and maintenance intervals	27
2.4 Safety-conscious working	3	10.4 Checking the oil level	28
2.5 Safety instructions for the operator/user	3	10.5 Cleaning the suction and discharge valves	28
2.6 Safety instructions for maintenance, inspection and installation work	3	10.6 Replacing the diaphragm and gear oil for dosing head with single diaphragm (no diaphragm leakage detection)	29
2.7 Unauthorised modification and manufacture of spare parts	4	10.7 Replacing the diaphragm for dosing head with double diaphragm	30
2.8 Improper operating methods	4	11. Fault finding chart	33
2.9 Safety of the system in the event of a failure in the dosing system	4	12. Dosing curves	34
3. Technical data	4	13. Disposal	34
3.1 Identification	4		
3.2 Pump models and pump types	6		
3.3 Pump performance	6		
3.4 Sound pressure level	7		
3.5 Electrical data	7		
3.6 AR control unit	8		
3.7 Required energy	8		
3.8 Ambient and operating conditions	8		
3.9 Dosing medium	9		
4. Transport and storage	9		
4.1 Delivery	9		
4.2 Unpacking	9		
4.3 Intermediate storage	9		
4.4 Return	9		
5. Product description and accessories	10		
5.1 General description	10		
5.2 Dimensions	14		
5.3 Weight	15		
5.4 Stroke volume	15		
5.5 Materials	15		
5.6 Data of contact pressure gauge for diaphragm leakage detection (optional)	15		
6. Installation	15		
6.1 General information on installation	15		
6.2 Installation location	16		
6.3 Mounting	16		
6.4 Approximate values when using pulsation dampers	16		
6.5 Optimum installation	17		
6.6 Installation tips	17		
6.7 Pipe lines	19		
6.8 Connecting the suction and discharge lines	19		
7. Electrical connections	20		
7.1 Electric servomotor (optional)	20		
7.2 Electronic preselection counter (optional)	20		
7.3 Electrically heated dosing head (optional)	20		
7.4 Diaphragm controller (optional)	20		
7.5 Connecting the power supply cable	20		
8. Start-up/shutdown	21		
8.1 Initial start-up/subsequent start-up	21		
8.2 Start-up/subsequent start-up of DMH 280	21		
8.3 Start-up/subsequent start-up of DMH 281-288	23		
8.4 Setting the pressure relief valve	24		
8.5 Zero point adjustments (DMH 281-288)	24		
8.6 Operating the pump	25		
8.7 Shutdown	25		
9. Operation	26		
9.1 Switching on/off	26		
9.2 Setting the dosing capacity	26		
9.3 Deaeration	26		
9.4 Using the AR control unit (optional)	26		

**Warning**

Prior to installation, read these installation and operating instructions. Installation and operation must comply with local regulations and accepted codes of good practice.

1. General information**1.1 Introduction**

These installation and operating instructions contain all the information required for starting up and handling the DMH 28X piston diaphragm dosing pump.

If you require further information or if any problems arise, which are not described in detail in this manual, please contact the nearest Grundfos company.

1.2 Applications

The DMH 28X pump is suitable for liquid, non-abrasive and non-flammable media strictly in accordance with the instructions in this manual.

Note

Explosion-proof pumps are identified from the pump and motor nameplates. An EC declaration of conformity is provided in accordance with the EC directive 2014/34/EU, the so-called ATEX directive. This declaration of conformity replaces the declaration of conformity in this manual.

**Warning**

To operate a pump which has been identified as an explosion-proof pump for the dosing of inflammable media or for operation in potentially explosive operating sites in accordance with the EC directive 2014/34/EU, refer to the enclosed manual "ATEX-approved pumps" in addition to this manual.

**Warning**

Other applications or the operation of pumps in ambient and operating conditions, which are not approved, are considered improper and are not permitted. Grundfos accepts no liability for any damage resulting from incorrect use.

2. Safety

This manual contains general instructions that must be observed during installation, operation and maintenance of the pump. This manual must therefore be read by the installation engineer and the relevant qualified personnel/operators prior to installation and start-up, and must be available at the installation location of the pump at all times.

It is not only the general safety instructions given in this "Safety" section that must be observed, but all special safety instructions given in the other sections.

2.1 Identification of safety instructions in this manual

If the safety instructions or other advice in this manual are not observed, it may result in personal injury or malfunction and damage to the pump. The safety instructions and other advice are identified by the following symbols:

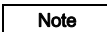


Warning

If these safety instructions are not observed, it may result in personal injury.



If these safety instructions are not observed, it may result in malfunction or damage to the equipment.



Notes or instructions that make the job easier and ensure safe operation.

Information provided directly on the pump, e.g. labelling of fluid connections, must be maintained in a readable condition at all times.

2.2 Qualification and training of personnel

The personnel responsible for the operation, maintenance, inspection and installation must be appropriately qualified for these tasks. Areas of responsibility, levels of authority and the supervision of the personnel must be precisely defined by the operator.

If the personnel do not have the necessary knowledge, the necessary training and instruction must be given. If necessary, training can be performed by the manufacturer/supplier at the request of the operator of the pump. It is the responsibility of the operator to make sure that the contents of this manual are understood by the personnel.

2.3 Risks when safety instructions are not observed

Non-observance of the safety instructions may have dangerous consequences for the personnel, the environment and the pump. If the safety instructions are not observed, all rights to claims for damages may be lost.

Non-observance of the safety instructions may lead to the following hazards:

- failure of important functions of the pump/system
- failure of specified methods for maintenance
- harm to humans from exposure to electrical, mechanical and chemical influences
- damage to the environment from leakage of harmful substances.

2.4 Safety-conscious working

The safety instructions in this manual, applicable national health and safety regulations and any operator internal working, operating and safety regulations must be observed.

2.5 Safety instructions for the operator/user

Hazardous hot or cold parts on the pump must be protected to prevent accidental contact.

Leakages of dangerous substances (e.g. hot, toxic) must be disposed of in a way that is not harmful to the personnel or the environment. Legal regulations must be observed.

Damage caused by electrical energy must be prevented (for more details, see for example the regulations of the VDE and the local electricity supply company).

2.6 Safety instructions for maintenance, inspection and installation work

The operator must ensure that all maintenance, inspection and installation work is carried out by authorised and qualified personnel, who have been adequately trained by reading this manual.

All work on the pump should only be carried out when the pump is stopped. The procedure described in this manual for stopping the pump must be observed.

Pumps or pump units which are used for media that are harmful to health must be decontaminated.

All safety and protective equipment must be immediately restarted or put into operation once work is complete.

Observe the points described in the initial start-up section prior to subsequent start-up.

Warning

The pump must be installed in a position where it is easily accessible during operation and maintenance work.



Observe the flow direction of valves (indicated by an arrow on the valve)!

Only use the prescribed line types!

Electrical connections must only be carried out by qualified personnel!

Warning

Make sure that the pump is suitable for the actual dosing medium!



Observe the chemical manufacturer's safety instructions when handling chemicals!

Do not operate the pump next to closed valves.

Warning

The pump housing, control unit and sensors must only be opened by personnel authorised by Grundfos!

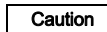


Repairs must only be carried out by authorised and qualified personnel!

Wear protective clothing (gloves and goggles) when working on the dosing head, connections or lines!

Before removing the dosing head, valves and lines, empty any remaining medium in the dosing head into a drip tray by carefully unscrewing the suction valve.

The resistance of the parts that come into contact with the media depends on the media, media temperature and operating pressure. Ensure that parts in contact with the media are chemically resistant to the dosing medium under operating conditions!



2.7 Unauthorised modification and manufacture of spare parts

Modification or changes to the pump are only permitted following agreement with the manufacturer. Original spare parts and accessories authorised by the manufacturer are safe to use. Using other parts can result in liability for any resulting consequences.

2.8 Improper operating methods

The operational safety of the supplied pump is only ensured if it is used in accordance with section 3. **Technical data**. The specified limit values must under no circumstances be exceeded.

Explosion-proof pumps are identified from the pump and motor nameplates. An EC declaration of conformity is provided in accordance with the EC directive 2014/34/EU, the so-called ATEX directive. This declaration of conformity replaces the declaration of conformity in this manual.

Note

Warning



To operate a pump which has been identified as an explosion-proof pump for the dosing of inflammable media or for operation in potentially explosive operating sites in accordance with the EC directive 2014/34/EU, refer to the enclosed manual "ATEX-approved pumps" in addition to this manual.

If the assumption is made that a safe operation is no longer possible, switch off the pump and protect it against unintentional operation.

This action should be taken

- if the pump has been damaged.
- if the pump no longer seems to be operational.
- if the pump has been stored for an extended period of time in poor conditions.

2.9 Safety of the system in the event of a failure in the dosing system

DMH 28X dosing pumps are designed according to the latest technologies and are carefully manufactured and tested. However, a failure may occur in the dosing system. Systems in which dosing pumps are installed must be designed in such a way that the safety of the entire system is still ensured following a failure of the dosing pump. Provide the relevant monitoring and control functions for this.

3. Technical data

3.1 Identification

3.1.1 Nameplate



Fig. 1 Nameplate

Pos.	Description
1	Type designation
2	Product number
3	Serial number
4	Pump performance by frequency
5	Marks of approval
6	ATEX designation
7	Type examination certificate number
8	Pump model
9	Production code, year and week
10	Country of origin

3.1.2 Type key

The type key is used to identify the precise pump and is not used for configuration purposes.

Type	
DMH 55-100D B-SS/V/SS-X-E2A1A1XEMAG	
Nominal dosing capacity [l/h]	
DMH <u>55</u> -100D B-SS/V/SS-X-E2A1A1XEMAG	
Max. counterpressure [bar]	
DMH 55- <u>100D</u> B-SS/V/SS-X-E2A1A1XEMAG	
100D	Pumps marked with a "D" after the pressure value are double-head pumps.
Control variant	
DMH 55-100D <u>B</u> -SS/V/SS-X-E2A1A1XEMAG	
B	Standard (manual control)
S1	Stroke counter NAMUR, NC output
AR*	AR control unit, pump mounted
AW*	AR control unit, wall mounted
D3	Servomotor, 1AC 115-230 V, 50/60 Hz, 4-20 mA control (without manual operation)
D4	Servomotor, 24 V DC, 4-20 mA control (without manual operation)
D6	EX servomotor, 1AC 115-230 V, 50/60 Hz, 4-20 mA control, type EX II 2G Ex db IIB T4
D7	EX servomotor, 24 V DC, 4-20 mA control, type EX II 2G Ex db IIB T4

* Only for model 280, 281

Dosing head variant	
DMH 55-100D B- <u>SS</u> /V/SS-X-E2A1A1XEMAG	
SS	Stainless steel, 1.4571 (EN 10027-2), 316Ti (AISI)
Y	Alloy C-4, 2.4610 (EN 10027-2)
SSL	SS with Diaphragm Leakage Detection (DLD)
YL	Y with Diaphragm Leakage Detection (DLD)

Gasket material	
DMH 55-100D B-SS/ <u>V</u> /SS-X-E2A1A1XEMAG	
E	EPDM
V	FKM
T	PTFE

Valve ball material	
DMH 55-100D B-SS/V/ <u>SS</u> -X-E2A1A1XEMAG	
SS	Stainless steel, 1.4401 (EN 10027-2), 316 (AISI)
C	Ceramic (up to DN 20)
Y	Alloy C-4, 2.4610 (EN 10027-2)

Terminal box position (also AR control or VFD position)	
DMH 55-100D B-SS/V/SS- <u>X</u> -E2A1A1XEMAG	
X	Oposite side of dosing head (3 o'clock)
D	Towards dosing head (9 o'clock)
S	Towards adjusting knob (6 o'clock)
R	Oposite side of adjusting knob (12 o'clock)

Supply voltage	
DMH 55-100D B-SS/V/SS-X- <u>E</u> 2A1A1XEMAG	
E	3AC 230/400 V, 50/60 Hz, 440-480 V, 60 Hz (motors < 0.75 kW) 3AC 230/400 V, 50 Hz, 460 V, 60 Hz (IE3, motors ≥ 0.75 kW)
G	1AC 230 V, 50/60 Hz (motors ≤ 0.09 kW) 1AC 230 V, 50 Hz (motors 0.18 - 0.38 kW)
H	1AC 115 V, 50/60 Hz (motors ≤ 0.09 kW) 1AC 115 V, 60 Hz (motors 0.18 - 0.38 kW)
F	Without motor, NEMA flange
0	Without motor, IEC flange
4	3AC 230/400 V, 50 Hz (EX motors)
5	3AC 220/380 V, 60 Hz (EX motors) 3AC 220/380 V, 60 Hz, 440 V, 60 Hz (IE3, motors ≥ 0.75 kW)
K	3AC 500 V, 50 Hz
L	3AC 240/415 V, 50 Hz
P	3AC 240/415 V, 60 Hz
N	3AC 255/440 V, 60 Hz
M	3AC 400/690 V, 50 Hz (standard in power plants)

Valve type (inlet/outlet)	
DMH 55-100D B-SS/V/SS-X- <u>E</u> 2A1A1XEMAG	
1	Standard valves, not spring-loaded
2	Spring-loaded inlet and outlet valve (0.05 bar)
3	Spring-loaded inlet valve (0.05 bar) and outlet valve (0.8 bar)

Hydraulic connections (first = outlet, second = inlet)	
DMH 55-100D B-SS/V/SS-X-E2 <u>A1A1</u> XEMAG	
A	G 5/8, for pipes with internal thread Rp 1/4 (SS)
A1	G 5/4, for pipes with external thread Rp 3/4 (SS)
B6	G 3/8, for pipes 4/6 mm (cutting ring connection) (SS)
V	G 5/8, for pipes with external thread 1/4 NPT (SS)
A3	G 5/4, for pipes with external thread 3/4 NPT (SS)
C2	G 5/8, for pipes 8/10 mm (cutting ring connection) (SS)

Mains plug (only 1AC motors)	
DMH 55-100D B-SS/V/SS-X-E2A1A1 <u>X</u> EMAG	
X	No plug
F	EU (Schuko)
B	USA, Canada
I	Australia, New Zealand, Taiwan
E	Switzerland

Motor variant and certification	
DMH 55-100D B-SS/V/SS-X-E2A1A1X <u>E</u> MAG	
EM	Standard motor (without certificates)
E0	Motor with PTC, prepared for operation with frequency converter (without certificates)
E1	EX motor, type EX II 2G EEx e II T3 (without certificates)
E2	EX motor, type EX II 2GD EEx de IIC T4, without PTC (without certificates)
E3	Pump with API approval (without pump and motor certificates)
E5	EX motor, type EX II 2GD EEx de IIC T4, with PTC (without certificates)
FA	VFD (Variable frequency drive) (without certificates)
FB	VFD with I/O extension board (without certificates)
FC	VFD with internal Profibus (without certificates)
MP	Standard motor (with certificates)
K0	Motor with PTC, prepared for operation with frequency converter (with certificates)
K1	EX motor, type EX II 2G EEx e II T3 (with certificates)
K2	EX motor, type EX II 2GD EEx de IIC T4, without PTC (with certificates)
K3	Pump with API approval (with pump and motor certificates)
K5	EX motor, type EX II 2GD EEx de IIC T4, with PTC (with certificates)

Pump housing material	
DMH 55-100D B-SS/V/SS-X-E2A1A1XEM <u>A</u> G	
A	Aluminium
C	Grey cast iron

Pump design	
DMH 55-100D B-SS/V/SS-X-E2A1A1XEM <u>A</u> G	
G	Grundfos
N	Neutral

3.2 Pump models and pump types

The DMH 28X dosing pump is available for a variety of performance ranges in various sizes. The pump nameplate shows various data of the pump like the type designation and the pump model. For an explanation of the nameplate see section [3.1.1 Nameplate](#).

The pump type is the left part of the type designation and consists of the type abbreviation, the nominal dosing flow and the maximum counterpressure. For an explanation of the type designation see section [3.1.2 Type key](#).

The motor nameplate shows various electrical data.

3.3 Pump performance

3.3.1 Performance data at maximum counterpressure

Pump model	Pump type	50 Hz			60 Hz		
		Q*	p max.**	Max. stroke rate	Q*	p max.**	Max. stroke rate
		[l/h]	[bar]	[n/min]	[l/h]	[bar]	[n/min]
DMH 280	DMH 1,45-200	1.45	200	63	1.74	200	76
	DMH 2,22-200	2.22	200	96	2.66	200	115
	DMH 2,81-200	2.81	200	120	3.37	200	144
	DMH 3,42-200	3.42	200	144	-	-	-
DMH 281	DMH 2-100	2	100	29	2.4	100	35
	DMH 4,2-100	4.2	100	63	5	100	75
	DMH 6,4-100	6.4	100	96	7.7	100	115
	DMH 8-100	8	100	120	9.6	100	144
	DMH 9,6-100	9.6	100	144	-	-	-
DMH 283	DMH 10-100	10	100	26	12	100	31.2
	DMH 19-100	19	100	54	23	100	65
	DMH 27-100	27	100	75	32	100	90
	DMH 33-100	33	100	92	40	100	110
	DMH 40-100	40	100	112	48	100	134
	DMH 55-100	55	100	153	-	-	-
DMH 285	DMH 40-100	40	100	56	48	100	67
	DMH 52-100	52	100	73	63	100	88
	DMH 70-100	70	100	98	84	100	118
	DMH 80-100	80	100	112	96	100	134
	DMH 105-100	105	100	146	-	-	-
DMH 286	DMH 85-50	85	50	56	102	50	67.2
	DMH 111-50	111	50	73	133	50	87.6
	DMH 170-50	170	50	112	204	50	134
	DMH 222-50	222	50	146	-	-	-
DMH 287	DMH 18-200	18	200	56	22	200	63
	DMH 23-200	23	200	73	28	200	88
	DMH 31-200	31	200	98	37	200	118
	DMH 36-200	36	200	112	43	200	134
	DMH 50-200	50	200	146	-	-	-
DMH 288	DMH 7,5-200	7.5	200	54	9.0	200	65
	DMH 10,4-200	10.4	200	75	12.5	200	90
	DMH 12,8-200	12.8	200	92	15.4	200	110
	DMH 15,5-200	15.5	200	112	18.6	200	134
	DMH 21-200	21	200	153	-	-	-

* Dosing capacity per dosing head; double the capacity for double-head pumps.

** Maximum counterpressure

Note

The pump can be operated in the range between 10 % and 100 % of the maximum dosing capacity.

3.3.2 Accuracy

- Dosing flow fluctuation: smaller than $\pm 1\%$ within the control range 10-100 %
- Linearity deviation: $\pm 1\%$ of the full scale value.

Applies to:

- water as dosing medium
- fully deaerated dosing head
- standard pump version.

3.3.3 Maximum inlet pressure

Pump model	[bar]
DMH 280	1
DMH 281	10
DMH 283	5
DMH 285	5
DMH 286	5
DMH 287	5
DMH 288	5

3.3.4 Minimum counterpressure at the discharge valve of the pump

Pump model	[bar]
All	2

A positive pressure difference of at least 2 bar is required between the suction valve and the discharge valve in order for the dosing pump to operate correctly. If the total counter-pressure (at the dosing point) and geodetic height difference between the suction valve and the dosing point is less than 2 bar (20 m WC), a pressure-loading valve must be installed immediately before the dosing point.

Note

3.3.5 Maximum suction lift* (continuous operation) for media with a viscosity similar to water

Pump model	Pump type	Maximum suction lift [m WC]
DMH 280	All	Flooded suction
DMH 281	All	1
DMH 283	All	1
DMH 285	All	1
DMH 286	DMH 85-50	1
	DMH 111-50	1
	DMH 170-50	Flooded suction
	DMH 222-50	Flooded suction
DMH 287	All	1
DMH 288	All	1

* Applies to a filled dosing head.

3.3.6 Maximum suction lift (continuous operation) for media with maximum permissible viscosity

Pump model	Maximum suction lift [m WC]
All	Flooded suction

3.4 Sound pressure level

Pump model	dB(A)*
DMH 280	55 \pm 5
DMH 281	55 \pm 5
DMH 283	65 \pm 5
DMH 285	75 \pm 5
DMH 286	75 \pm 5
DMH 287	75 \pm 5
DMH 288	65 \pm 5

* Testing according to DIN 45635-01-KL3.

3.5 Electrical data

3.5.1 Enclosure class

The enclosure class depends on the motor variant selected, see motor nameplate.

The specified enclosure class can only be ensured if the power supply cable is connected with the same degree of protection.

Pumps with electronics: The enclosure class is only met if the sockets are protected! The data regarding the enclosure class applies to pumps with correctly inserted plugs or screwed-on caps.

3.5.2 Motor

Version: see motor and pump nameplates.

3.6 AR control unit

Functions of pumps with electronics:

- "Continuous operation" button for function test and dosing head deaeration
- memory function (stores a maximum of 65,000 pulses)
- two-stage tank-empty signal (e.g. via Grundfos tank empty sensor)
- stroke signal/pre-empty signal (adjustable), e.g. as a feedback to the control room
- dosing controller function (only with sensor - optional)
- diaphragm leakage detection (only with sensor - optional)
- access-code-protected settings
- remote on/off
- hall sensor
- operating hours counter
- motor monitoring.

Operating modes:

- manual
Stroke frequency: manually adjustable between zero and maximum
- contact signal control
Multiplier (1:n) and divisor (n:1)
- current signal control 0-20 mA/4-20 mA
Adjustment of stroke frequency proportional to the current signal. Weighting of current input.

3.6.1 Inputs and outputs

Inputs	
Contact signal	Maximum load: 12 V, 5 mA
Current 0-20 mA	Maximum load: 22 Ω
Remote on/off	Maximum load: 12 V, 5 mA
Two-stage tank-empty signal	Maximum load: 12 V, 5 mA
Dosing controller and diaphragm leakage sensor	
Outputs	
Current 0-20 mA	Maximum load: 350 Ω
Error signal	Maximum ohmic load: 50 V DC / 75 V AC, 0.5 A
Stroke signal	Contact time/stroke: 200 ms
Pre-empty signal	Maximum ohmic load: 50 V DC / 75 V AC, 0.5 A

AR control unit factory settings

- Inputs and outputs: NO (normally open)
or
- inputs and outputs: NC (normally closed).

3.7 Required energy

Power supply for AC voltage

Rated voltage	Permissible deviation from rated value
230/400 V	± 10 %
240/415 V	± 10 %
115 V	± 10 %

Maximum permissible mains impedance

(0.084 + j 0.084) Ohm (testing according to DIN EN 61000-3-11).

These details apply to 50 Hz.

3.8 Ambient and operating conditions

- Permissible air humidity: max. relative humidity:
70 % at +40 °C, 90 % at +35 °C.

Caution

The installation site must be under cover!
Do not install outdoors!

3.8.1 DMH with motor labelled for coolant temperature -20 °C ≤ T_{amb} ≤ 40 °C

- Permissible ambient temperature: 0 °C (standard) to +40 °C (for an installation height up to 1000 m above sea level)
- Pumps with minimum T_{amb} -20 °C available on request
- Permissible storage temperature: -20 °C to +50 °C.

3.8.2 DMH with motor labelled for coolant temperature -20 °C ≤ T_{amb} ≤ 55 °C and with dosing head material stainless steel or PVDF

- Permissible ambient temperature: 0 °C (standard) to +55 °C (for an installation height up to 1000 m above sea level)
- Pumps with minimum T_{amb} -20 °C available on request
- Permissible storage temperature: -20 °C to +55 °C.

Note

Observe the nameplate of the motor.

Pumps with AR control unit only

Maximum permissible mains impedance: 0.084 + j 0.084 Ω (testing according to EN 61000-3-11).

3.9 Dosing medium

Note In the event of questions regarding the material resistance and suitability of the pump for specific dosing media, please contact Grundfos.

The dosing medium must have the following basic characteristics for the standard pumps:

- liquid
- non-abrasive
The dosing of abrasive media is possible with certain versions, on request.
- non-flammable
The dosing of inflammable media is possible with certain versions of explosion-proof pumps, in accordance with ATEX.

Maximum permissible viscosity at operating temperature*

Applies to:

- Newtonian liquids
- non-degassing media
- media without suspended matter
- media with a density similar to water.

Note Note that the viscosity increases with decreasing temperature!

Pump model	Up to stroke	Stroke rate	From stroke
	rate 63 [n/min]	64-120 [n/min]	rate 121 [n/min]
Maximum viscosity* [mPa s]			
DMH 280	5	5	5
DMH 281	100	50	5
DMH 283	100	50	5
DMH 285	100	50	5
DMH 286	100	50	5
DMH 287	100	50	5
DMH 288	100	50	5

* The stated values are approximate values and apply to the standard pumps.

Permissible media temperature

Dosing head material	Min. media temperature	Max. media temperature
	[°C]	[°C]
Stainless steel, DIN 1.4571*	-10	90
Alloy C-4, 2.4610*	-10	90

* For SIP/CIP applications (not with ATEX): A temperature of 145 °C at a counter-pressure of max. 2 bar is permitted for a short period (15 minutes).



Warning
Observe the chemical manufacturer's safety instructions when handling chemicals!

The dosing medium must be in liquid form!
Observe the freezing and boiling points of the dosing medium!

The resistance of the parts that come into contact with the media depends on the media, media temperature and operating pressure. Ensure that parts in contact with the media are chemically resistant to the dosing medium under operating conditions!

Caution

Make sure that the pump is suitable for the actual dosing medium!

4. Transport and storage

Do not throw or drop the pump.

Caution Do not use the protective packaging as transport packaging.

4.1 Delivery

The DMH 28X dosing pumps are supplied in different packaging, depending on pump type and the overall delivery. For transport and intermediate storage, use the correct packaging to protect the pump against damage.

4.2 Unpacking

Retain the packaging for future storage or return, or dispose of the packaging in accordance with local regulations.

4.3 Intermediate storage

See section [3.8 Ambient and operating conditions](#).

4.4 Return

The pump must be thoroughly cleaned before it is returned or stored. It is essential that there are no traces of toxic or hazardous media remaining on the pump. Drain the oil from the drive mechanism and package the pump correctly.

Caution Grundfos accepts no liability for damage caused by incorrect transportation, missing or unsuitable packaging of the pump, residual media or leaking oil!

Before returning the pump to Grundfos Water Treatment for service, the **safety declaration** at the end of these instructions must be filled in by authorised personnel and attached to the pump in a visible position.

Caution If a pump has been used for a medium which is injurious to health or toxic, the pump will be classified as contaminated.

If Grundfos Water Treatment is requested to service the pump, it must be ensured that the pump is free from substances that can be injurious to health or toxic. If the pump has been used for such substances, the pump must be cleaned before it is returned.

If proper cleaning is not possible, all relevant information about the chemical must be provided.

If the above is not fulfilled, Grundfos Water Treatment can refuse to accept the pump for service. Possible costs of returning the pump are paid by the customer.

The safety declaration can be found at the end of these instructions.

Caution The replacement of the power supply cable must be carried out by an authorised Grundfos service workshop.

5. Product description and accessories

5.1 General description

The DMH 28X are positive-displacement pumps with hydraulic diaphragm control. The operation procedure of the dosing pump is shown in the sectional drawing. See figs 2 to 6.

The rotational movement of the motor (1p) is converted via the worm gear (2p) and eccentric (3p) into the reciprocating movement of the piston (6p). The piston has a hollow bore and a row of radial control holes, which provide a hydraulic connection between the drive area and the piston stroke area. The sliding sleeve (5p) covers the control holes during the stroke and seals the stroke area from the drive area.

The hydraulic-driven movement of the PTFE diaphragm (Q) displaces an equivalent volume of dosing medium from the dosing head (2) into the dosing line. With the suction stroke, the piston creates a low pressure, which is established in the dosing head. The ball valve (3b) on the dosing side closes and the dosing medium flows through the suction valve (3a) into the dosing head.

The stroke volume size is determined by the position of the sliding sleeve. The active stroke length and corresponding average dosing flow can be changed continuously and linearly from 10 % to 100 % using the stroke-length adjustment knob and Vernier scale (L).

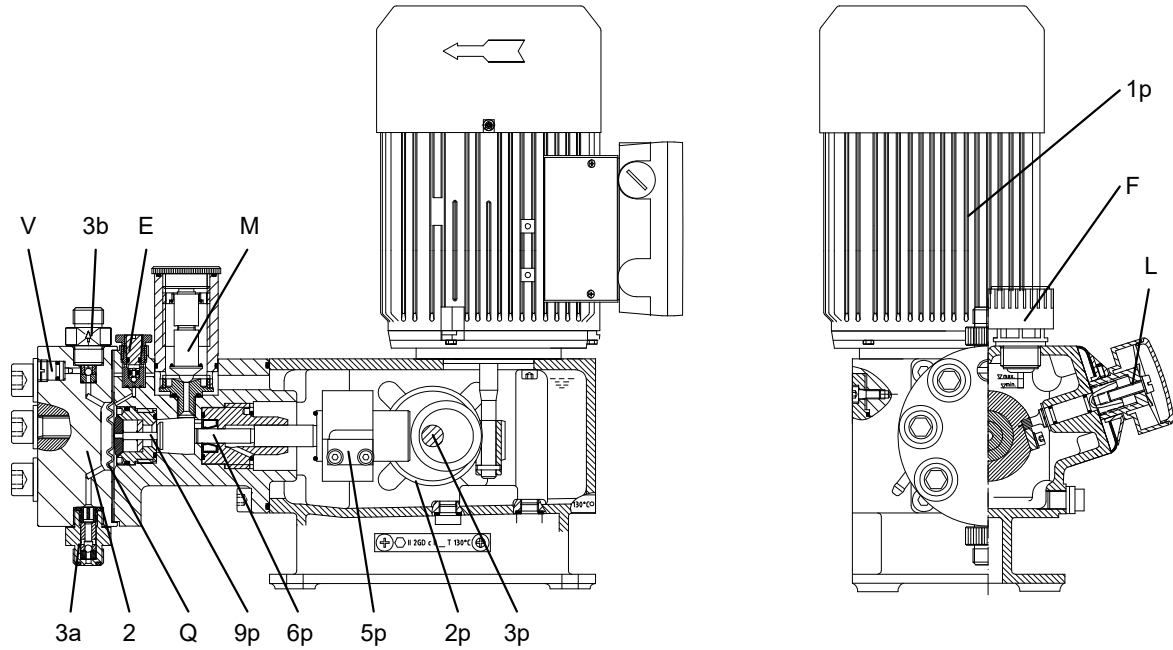


Fig. 2 DMH 280

TN03 6855 4506

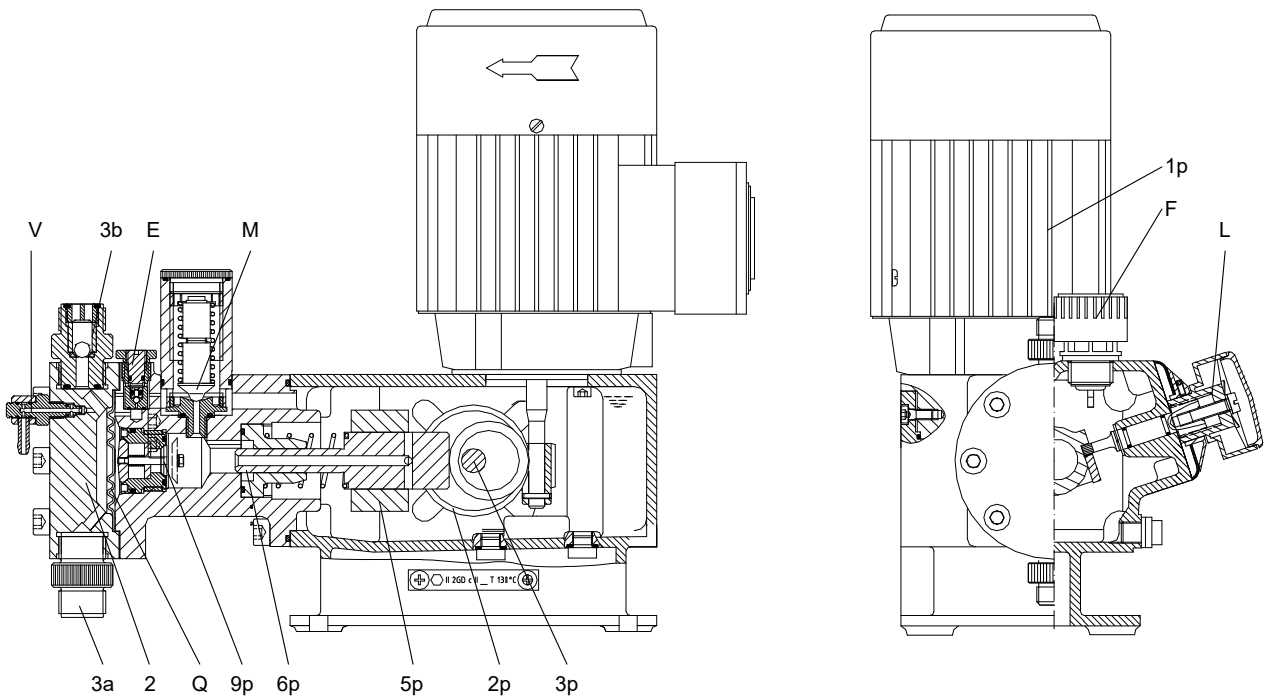


Fig. 3 DMH 281

TN03 6856 4506

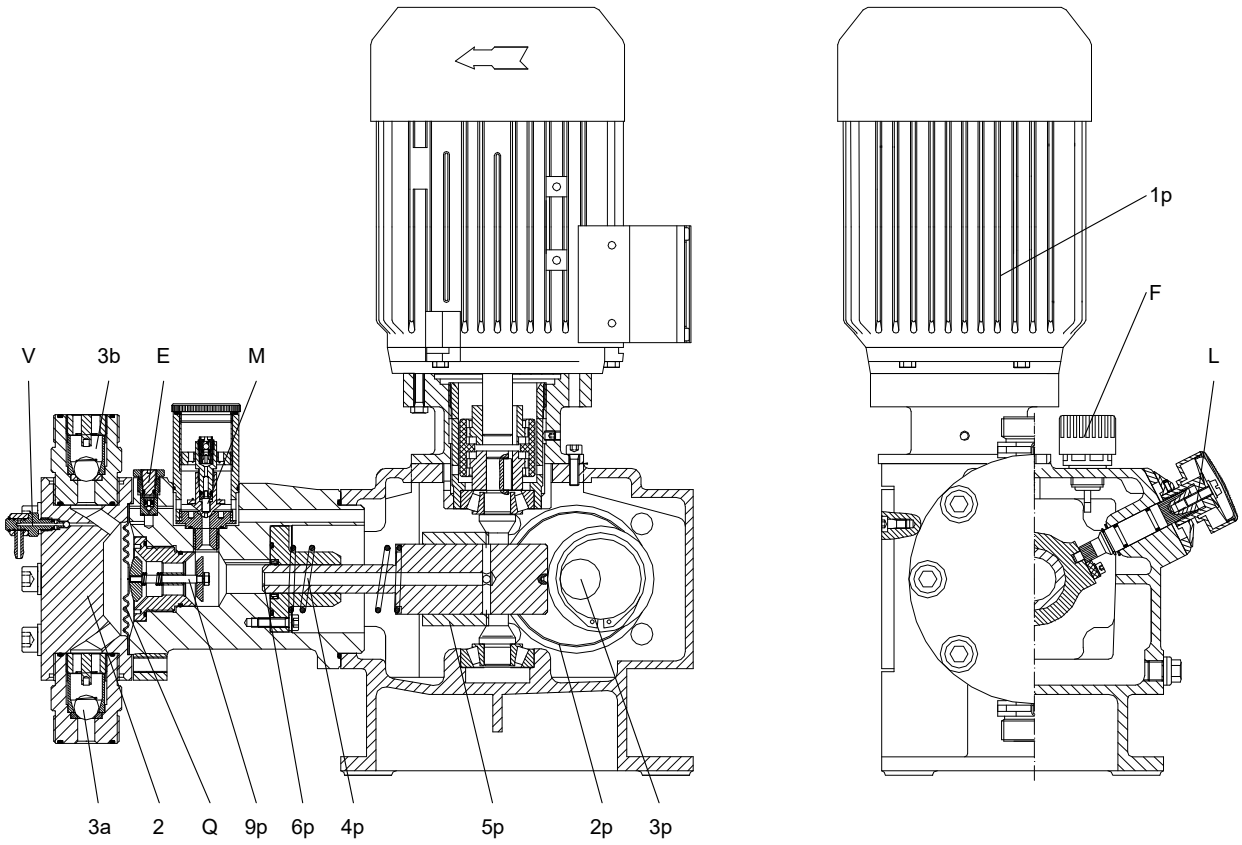


Fig. 4 DMH 283

TM03 6857 4506

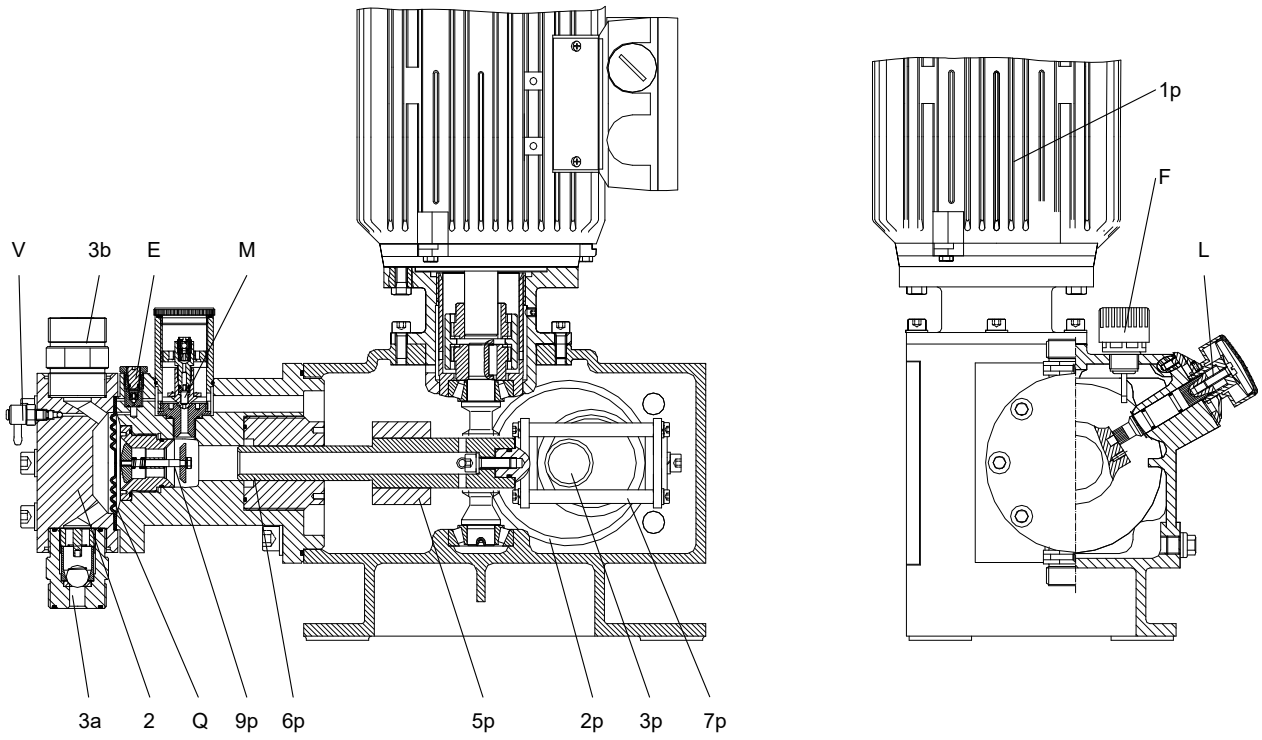


Fig. 5 DMH 285, 286, 287

TM03 6858 4506

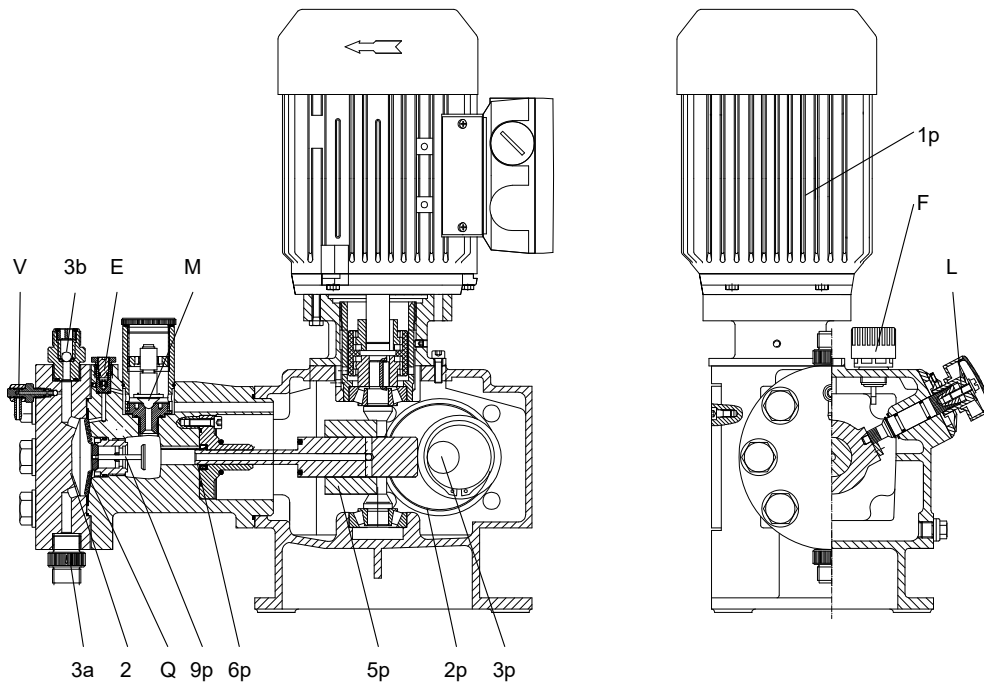


Fig. 6 DMH 288

Pos.	Components
1p	Motor
2p	Worm gear
3p	Eccentric
4p	Return spring (not with drive size 3)
5p	Sliding sleeve
6p	Piston
7p	Crank
M	Combined overpressure and degassing valve
E	Degassing valve
9p	Diaphragm protection system (AMS)
Q	Dosing diaphragm
2	Dosing head
V	Dosing head deaeration screw
3a	Suction valve
3b	Discharge valve
L	Stroke-length adjustment knob
F	Oil-filling screw with dipstick

TM03 6859 4506

5.1.1 Combined overpressure and degassing valve

The combined overpressure and degassing valve (M) opens if there is an excessive pressure build-up in the dosing system and provokes the constant degassing of the hydraulic medium.

5.1.2 Diaphragm protection system AMS

The diaphragm protection system AMS (9p) has a keypad, which is connected to the dosing diaphragm. The dosing diaphragm oscillates freely in the dosing head and cannot be overstretched due to a fault in the dosing system since the diaphragm protection valve closes if such a fault occurs.

5.1.3 Double-diaphragm system/diaphragm leakage detection (optional)

General

The piston diaphragm and high-tech dosing pumps with drift-free diaphragm leakage detection are equipped with the following:

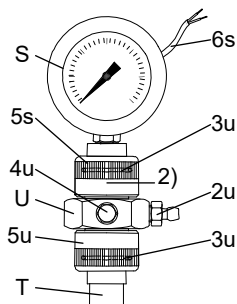
- dosing head with PTFE double-diaphragm system
- ball non-return valve with built-in contact pressure gauge.

Double-diaphragm system

Dosing pumps with a double-diaphragm system with no diaphragm leakage detection have no pressure gauge. In this case the ball non-return valve is fitted with a locking unit. The valve, however, can be retrofitted with a contact pressure gauge.

Ball non-return valve

In order for the diaphragm leakage detection to work and to protect the diaphragms, the gap must be fully deaerated. Dosing heads with a double diaphragm are equipped with a ball non-return valve (T) to prevent air from flowing back during the filling and deaeration process (2u).



TM03 6453 4506

Fig. 7 Contact pressure gauge

Pos.	Components
S	Contact pressure gauge
T	Ball non-return valve
U	Connection piece
2)	For dosing heads with a double diaphragm with no contact pressure gauge (no diaphragm leakage detection), a locking unit is fitted instead of the contact pressure gauge.

Functional principle of diaphragm leakage detection

The non-return valve and the gap between the diaphragms are factory-filled with a separating agent (paraffin oil). They are set in such a way during start-up on the test stand that there is always a hydraulically separated equilibrium between the valve and diaphragm gap (the pressure gauge indicates "0" when the pump is running and when it is stopped).

If one of these diaphragms breaks, the dosing or hydraulic medium penetrates into the gap between the diaphragms and, when the ball is removed, into the valve. The system pressure is therefore impinged on the valve and the contact pressure gauge is activated. Depending on the design of the system, the electrically isolated reed contact can trigger an alarm device or the pump can be switched off.

The contact is triggered at the preset pressure as is shown in the table below:

Description/use	Set pressure [bar]
For pumps 16 to 100 bar Pressure gauge 0 to 100 bar	10
For pumps 16 to 100 bar Explosion-proof pressure gauge 0 to 100 bar	10
For pumps up to 200 bar Pressure gauge 0 to 200 bar	10
For pumps up to 200 bar Explosion-proof pressure gauge 0 to 200 bar	10

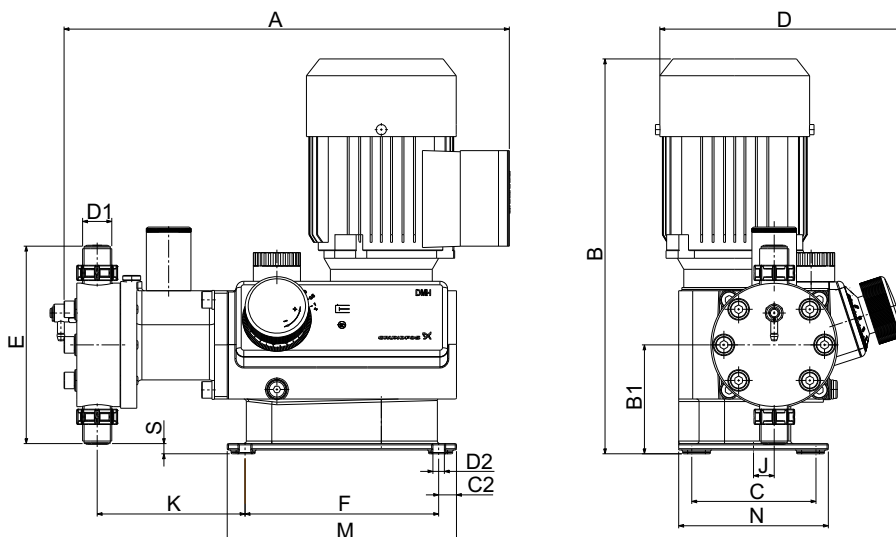


Warning

The contact pressure gauge (Ex) in explosion-proof version with switch amplifier should be used if the pump is fitted with an explosion-proof motor.

5.2 Dimensions

5.2.1 Dimensions of single-head pumps

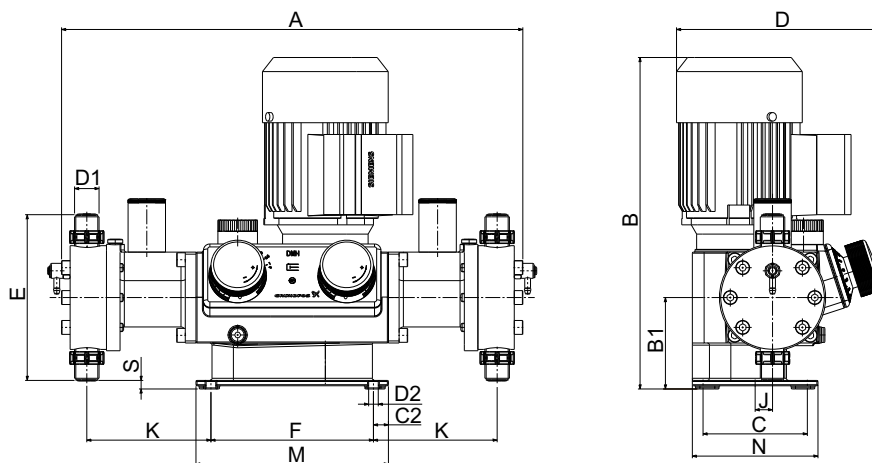


TM07 3714 1019

All dimensions are in mm, except for the thread designations.

Pump model	A	B	C	C2	D	D1	D2	E	F	B1	J	K	M	N	S
DMH 280	365	336	97.5	14	192	G 3/8	9	142	152	85.5	16	114	180	117.5	14.5
DMH 281	348	336	97.5	14	192	G 5/8	9	155	152	85.5	16	114	180	117.5	8
DMH 283	437	493	156	20	254	G1 1/4	9	211	185	126	10	182	225	180	20.5
DMH 285	510	553	145.5	24.5	274	G1 1/4	9	179	240	129	25	187	290	194.5	39
DMH 286	510	553	145.5	24.5	274	G1 1/4	9	234	240	129	25	191	290	194.5	11.5
DMH 287	490	553	170	24.5	274	G 5/8	9	208	240	129	25	176	290	194.5	24.5
DMH 288	425	492	156	20	155.5	G 5/8	9	208	185	126	10	173	225	180	22

5.2.2 Dimensions of double-head pumps



TM07 3721 1019

All dimensions are in mm, except for the thread designations.

Pump model	A	B	C	C2	D	D1	D2	E	F	B1	J	K	M	N	S
DMH 280	465	336	97.5	14	192	G 3/8	9	142	152	85.5	16	114	180	117.5	14.5
DMH 281	432	336	97.5	14	192	G 5/8	9	155	152	85.5	16	114	180	117.5	8
DMH 283	706	493	156	20	254	G1 1/4	9	211	260	126	10	182	300	180	20.5
DMH 285	820	553	145.5	24.5	274	G1 1/4	9	179	333	129	25	187	382	194.5	39
DMH 286	820	553	145.5	24.5	274	G1 1/4	9	234	333	129	25	191	382	194.5	11.5
DMH 287	814	553	170	24.5	274	G 5/8	9	208	333	129	25	176	382	194.5	24.5
DMH 288	700	492	156	20	155.5	G 5/8	9	208	260	126	10	173	300	180	22

5.3 Weight

Pump model	Dosing head material	Weight [kg]	
		Single-head pump	Double-head pump
DMH 280	Stainless steel 1.4571	13.7	20.4
	Alloy C-4, 2.4610		
DMH 281	Stainless steel 1.4571	13	19
	Alloy C-4, 2.4610		
DMH 283	Stainless steel 1.4571	36	54
	Alloy C-4, 2.4610		
DMH 285	Stainless steel 1.4571	43	64
	Alloy C-4, 2.4610		
DMH 286	Stainless steel 1.4571	45	71
	Alloy C-4, 2.4610		
DMH 287	Stainless steel 1.4571	45	71
	Alloy C-4, 2.4610		
DMH 288	Stainless steel 1.4571	36	54
	Alloy C-4, 2.4610		

5.4 Stroke volume

Pump model	Stroke volume [cm ³]
DMH 280	0.35
DMH 281	1.1
DMH 283	6
DMH 285	12
DMH 286	25.3
DMH 287	5.4
DMH 288	2.33

5.5 Materials

Pump housing material

- Pump housing: Al 226.

AR control unit enclosure

- Upper part of enclosure: PPO blend
- Lower part of enclosure: aluminium.



Warning

Observe the chemical manufacturer's safety instructions when handling chemicals!

Make sure that the pump is suitable for the actual dosing medium!

The resistance of the parts that come into contact with the media depends on the media, media temperature and operating pressure. Ensure that parts in contact with the media are chemically resistant to the dosing medium under operating conditions!

Caution

Note

Further information on resistance with regard to the media, media temperature and operating pressure is available on request.

5.6 Data of contact pressure gauge for diaphragm leakage detection (optional)

Note

Following data is not valid for contact pressure gauges in explosion-proof version.

The contact pressure gauge has a reed switch with electrically isolated contact output, maximum switching power 10 W for DC current or 10 VA for AC current. The maximum switching voltage is 75 V for DC current or 50 V for AC current, maximum switching current 0.5 A.

The switching function is set up as an NC contact, i.e. if the diaphragm breaks, the current circuit is interrupted.

The pressure gauge has a 2-metre cable.

6. Installation

6.1 General information on installation



Warning

Observe the specifications for the installation location and range of applications described in section 3. *Technical data*.



Warning

Faults, incorrect operation or faults on the pump or system can, for example, lead to excessive or insufficient dosing, or the permissible pressure may be exceeded. Consequential faults or damage must be evaluated by the operator and appropriate precautions must be taken to avoid them!



Warning

Risk of hot surfaces!

Pumps with AC motors may become hot.

Allow a minimum space of 100 mm to the fan cover!

A positive pressure difference of at least 2 bar is required between the suction valve and the discharge valve in order for the dosing pump to operate correctly.

Note

If the total counter-pressure (at the dosing point) and geodetic height difference between the suction valve and the dosing point is less than 2 bar (20 m WC), a pressure-loading valve must be installed immediately before the dosing point.

6.2 Installation location

6.2.1 Space required for operation and maintenance

Note The pump must be installed in a position where it is easily accessible during operation and maintenance work.

Maintenance work on the dosing head and the valves must be carried out regularly.

- Provide sufficient space for removing the dosing head and the valves.

6.2.2 Permissible ambient influences

See section [3.8 Ambient and operating conditions](#).

Note The installation site must be under cover!
Do not install outdoors!

6.2.3 Mounting surface

The pump must be mounted on a flat surface.

6.3 Mounting

- Mount the pump on a console or pump foundation using four screws.

Note The flow must run in the opposite direction to gravity!

6.4 Approximate values when using pulsation dampers

Risk of damage to the system!

It is always recommended to use pulsation dampers for large high-speed pumps!

Caution Since the pulsation is influenced by many factors, a system-specific calculation is essential. Request a calculation from our calculation program.

The table below indicates the approximate values and the suction line length for which suction pulsation dampers are required. The values apply to 50 Hz operation when water or similar liquids are dosed.

Pump model / pump type	Nominal width of suction line	Maximum length of suction line [m]
DMH 280		
DMH 1,45-200	DN 4	8
DMH 2,22-200	DN 4	8
DMH 2,81-200	DN 4	8
DMH 3,42-200	DN 4	8
DMH 281		
DMH 2-100	DN 8	8
DMH 4,2-100	DN 8	8
DMH 6,4-100	DN 8	8
DMH 8-100	DN 8	8
DMH 9,6-100	DN 8	8
DMH 283		
DMH 10-100	DN 20	8
DMH 19-100	DN 20	8
DMH 27-100	DN 20	8
DMH 33-100	DN 20	8
DMH 40-100	DN 20	8
DMH 55-100	DN 20	6
DMH 285		
DMH 40-100	DN 20	8
DMH 52-100	DN 20	8
DMH 70-100	DN 20	6
DMH 80-100	DN 20	5
DMH 105-100	DN 20	3
DMH 286		
DMH 85-50	DN 20	2.5
DMH 111-50	DN 20	2.5
DMH 170-50	DN 20	2.5
DMH 222-50	DN 20	1.5
DMH 287		
DMH 18-200	DN 8	8
DMH 23-200	DN 8	4
DMH 31-200	DN 8	3
DMH 36-200	DN 8	2
DMH 50-200	DN 8	1
DMH 288		
DMH 7,5-200	DN 8	8
DMH 10,4-200	DN 8	4
DMH 12,8-200	DN 8	3
DMH 15,5-200	DN 8	2
DMH 21-200	DN 8	1

6.5 Optimum installation

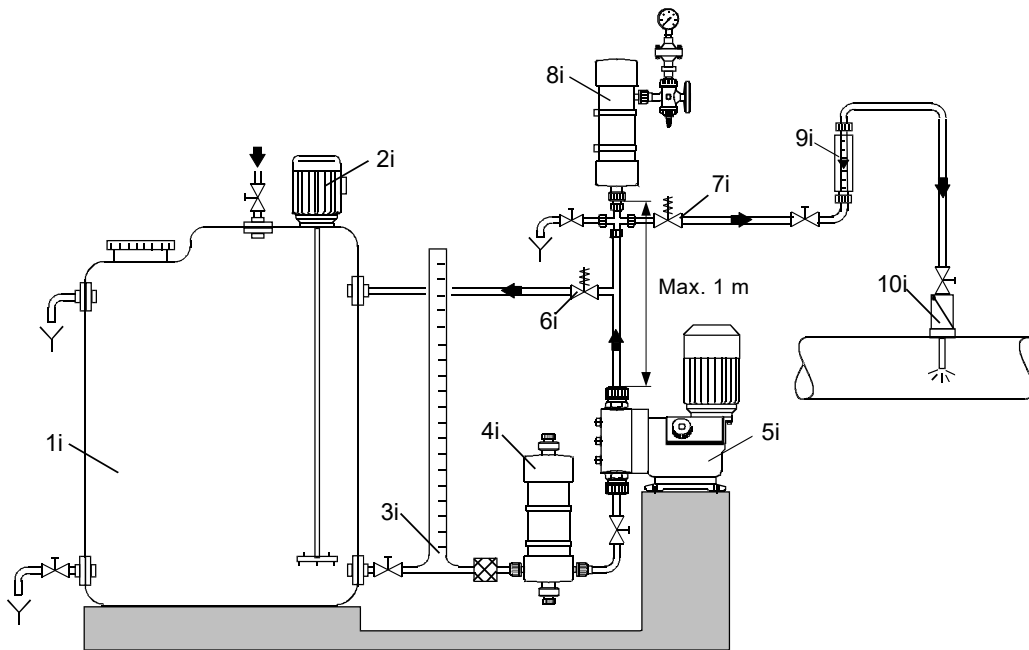


Fig. 8 Example of optimum installation

Pos.	Components
1i	Dosing tank
2i	Electric agitator
3i	Extraction device
4i	Suction pulsation damper
5i	Dosing pump
6i	Relief valve
7i	Pressure-loading valve
8i	Pulsation damper
9i	Measuring glass
10i	Injection unit

6.6 Installation tips

- For easy deaeration of the dosing head, install a ball valve (11i) with bypass line (back to the dosing tank) immediately after the discharge valve.
- In the case of long discharge lines, install a non-return valve (12i) in the discharge line.

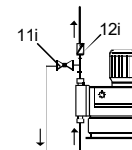


Fig. 9 Installation with ball valve and non-return valve

- When installing the suction line, observe the following:
 - Keep the suction line as short as possible. Prevent it from becoming tangled.
 - If necessary, use swept bends instead of elbows.
 - Always route the suction line up towards the suction valve.
 - Avoid loops which may cause air bubbles.

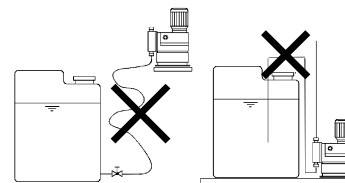


Fig. 10 Installation of suction line

TM03 6296 4506

TM03 6297 4506

TM03 6298 4506

- For non-degassing media with a viscosity similar to water, the pump can be mounted on the tank (observe the maximum suction lift).
- Flooded suction preferred.
- For media with a tendency to sedimentation, install the suction line with filter (13i) so that the suction valve remains a few millimetres above the possible level of sedimentation.

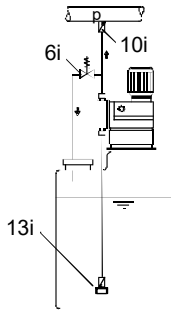


Fig. 11 Tank installation

TM03 6299 4506

- Note for suction-side installation: Depending on the dosing flow and the line length, it may be necessary to install a properly sized pulsation damper (4i) immediately before the pump suction valve.

Note

Observe section 6.4 *Approximate values when using pulsation dampers* and, if necessary, request a system-specific calculation from our calculation program.

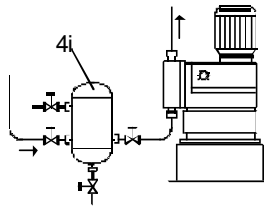


Fig. 12 Installation with suction-side pulsation damper

TM03 6300 4506

- Note for discharge-side installation: Depending on the dosing flow and the line length, it may be necessary to install a properly sized pulsation damper (4i) on the discharge side.

Note

To protect the system, use pulsation dampers (8i) for rigid piping longer than 2 metres and tubing longer than 3 metres, depending on pump type and size.

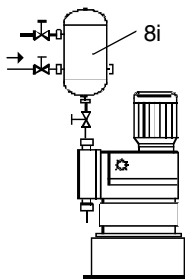


Fig. 13 Installation with discharge-side pulsation damper

TM03 6301 4506

Risk of damage to the system!

It is always recommended to use pulsation dampers for large high-speed pumps!

Caution

Since the pulsation is influenced by many factors, a system-specific calculation is essential. Request a calculation from our calculation program.

- For degassing and viscous media: flooded suction.
- Install a filter in the suction line to prevent the valves from becoming choked.
- To protect the dosing pump and the discharge line against excessive pressure build-up, install a relief valve (6i) in the discharge line.

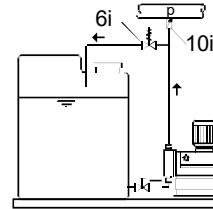


Fig. 14 Installation with relief valve

TM03 6302 4506

With open outflow of the dosing medium or a counter-pressure below 2 bar

- Install a pressure-loading valve (7i) immediately before the outlet or the injection unit.

A positive pressure difference of at least 2 bar must be ensured between the counter-pressure at the injection point and the pressure of the dosing medium at the pump suction valve.

- If this cannot be ensured, install a pressure-loading valve (7i) in the discharge line.

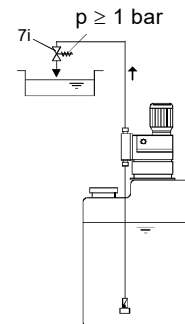


Fig. 15 Installation with pressure-loading valve

TM03 6303 4506

- To avoid the siphon effect, install a pressure-loading valve (7i) in the discharge line and, if necessary, a solenoid valve (14i) in the suction line.

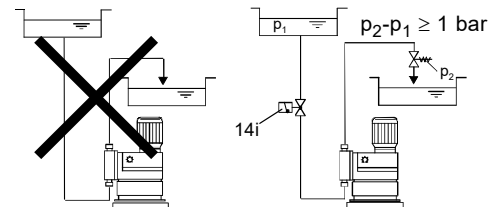


Fig. 16 Installation to avoid the siphon effect

TM03 6304 4506

6.7 Pipe lines

6.7.1 General

Warning

To protect the dosing system against excessive pressure build-up, install a relief valve in the discharge line.

Only use the prescribed line types!

All lines must be free from strain!

Avoid loops and buckles in the tubes!

Keep the suction line as short as possible to avoid cavitation!

If necessary, use swept bends instead of elbows.

Observe the chemical manufacturer's safety instructions when handling chemicals!

Make sure that the pump is suitable for the actual dosing medium!

The flow must run in the opposite direction to gravity!

The resistance of the parts that come into contact with the media depends on the media, media temperature and operating pressure. Ensure that parts in contact with the media are chemically resistant to the dosing medium under operating conditions!

Caution



6.8 Connecting the suction and discharge lines

Warning

All lines must be free from strain!

Only use the prescribed line types!

- Connect the suction line to the suction valve.
 - Install the suction line in the tank so that the foot valve remains 5 to 10 mm above the bottom of the tank or the possible level of sedimentation.
- Connect the discharge line to the discharge valve.

Connection of DN 20 pipe lines

- Depending on the pipe material and connection, glue the pipe (PVC), weld it (PP, PVDF or stainless steel) or press it in (stainless steel).
- Fit the gasket.
- Screw the pipe on the valve using the union nut.

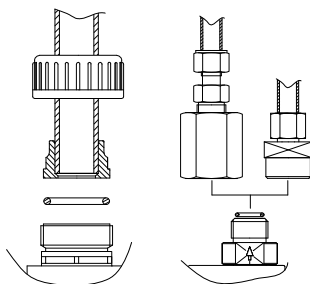


Fig. 17 Connection of DN 20 pipe lines

TM03 6457 4506

6.8.1 Connecting the dosing head deaeration

The dosing head is equipped with a deaeration screw (V) and hose nipple (I). During deaeration, dosing medium leaks from the hose nipple. This may also happen during normal operation. The dosing medium should either be collected directly or via a deaeration line in a suitable container.

Warning

Risk of injuries caused by the dosing medium. Dosing medium leaks from the hose nipple (I) of the deaeration line. If the pressure is high, the medium may squirt out. Turn the hose nipple (I) in the right direction, or drain the dosing medium through a suitable hose. Observe chemical resistance!



When using a deaeration line,

- connect the deaeration line (J) to the deaeration screw (V/I).
- Shorten the deaeration line (J) to at least 10 mm above the maximum tank level.
- Insert the deaeration line (J) downwards into the dosing tank or collection container without loops. Do not immerse in the dosing medium.

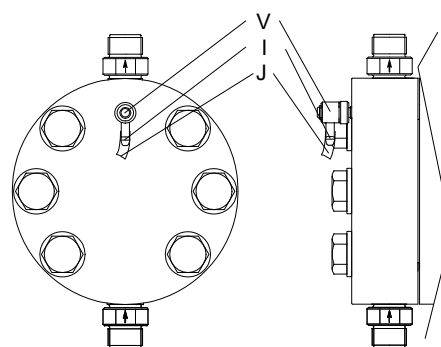


Fig. 18 Dosing head deaeration

TM03 6862 4506

6.8.2 Connecting a liquid-heated dosing head (optional)

As an option, liquid-heated dosing heads are available in stainless steel.

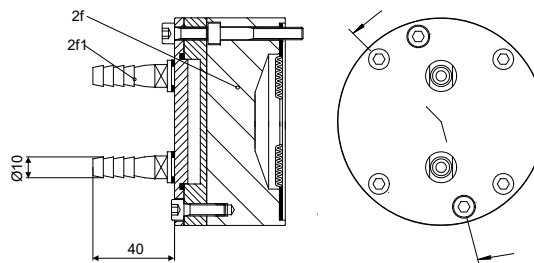


Fig. 19 Liquid-heated dosing head

TM03 6459 4506

Pos.	Components
2f	Dosing head, liquid-heated
2f1	Hose nipple, DN 10 connection

Required characteristics of heating liquid:

- The heating liquid must not chemically attack stainless steel.
- Maximum permissible pressure: $p_{max.} = 3 \text{ bar}$.
- Maximum permissible temperature: $t_{max.} = 100 \text{ }^\circ\text{C}$.

7. Electrical connections

Make sure that the pump is suitable for the electricity supply on which it will be used.

Warning

- Electrical connections must only be carried out by qualified personnel!
- Disconnect the power supply before connecting the power supply cable and the relay contacts!
- Observe the local safety regulations!
- The pump housing must only be opened by personnel authorised by Grundfos!
- Protect the cable connections and plugs against corrosion and humidity.
- Only remove the protective caps from the sockets that are being used.



7.1 Electric servomotor (optional)

To connect the servomotor to the power supply, see the installation and operating instructions for the servomotor.

7.2 Electronic preselection counter (optional)

To connect the preselection counter to the power supply, see the installation and operating instructions for the counter.

7.3 Electrically heated dosing head (optional)

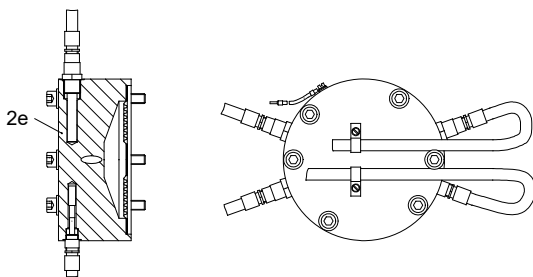


Fig. 20 Electrically heated dosing head

Pos.	Component
2e	Dosing head, electrically heated

- To connect the temperature controller to the power supply, see the installation and operating instructions for the electric temperature controller.

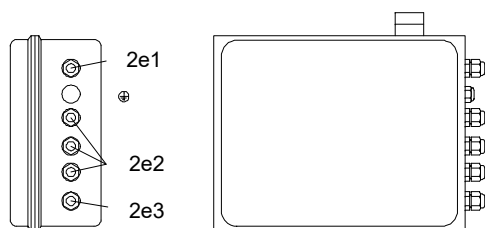


Fig. 21 Temperature controller

Pos.	Connections
2e1	Sensor
2e2	Heating
2e3	Power supply

7.4 Diaphragm controller (optional)

Warning



- Explosion-proof pumps with diaphragm leakage detection are fitted with a contact pressure gauge in explosion-proof version.
- The pressure gauge must be earthed.
- Connecting the earth cable (4u), see fig. 22.

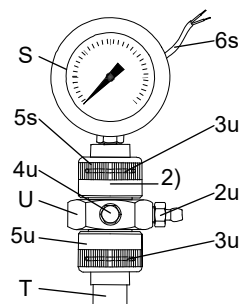


Fig. 22 Diaphragm controller

Pos.	Components
S	Contact pressure gauge
5s	Union nut
6s	Contact output
T	Ball non-return valve
U	Connection piece
2u	Deaeration screw
3u	O-rings
4u	Connection for earth cable
5u	Union nut
2)	or locking unit (instead of contact pressure gauge and its connection)

7.5 Connecting the power supply cable

Warning



- Disconnect the power supply before connecting the power supply cable!
- Before connecting the power supply cable, check that the rated voltage stated on the pump nameplate corresponds to the local conditions!
- Do not make any changes to the power supply cable or plug!

Caution The assignment between the plug-and-socket connection and the pump must be labelled clearly (e.g. by labelling the socket outlet).

Caution The pump can be automatically started by connecting the power supply!

- Do not switch on the power supply until you are ready to start the pump.

7.5.1 Versions with mains plug

- Insert the mains plug in the mains socket.

TM03 6460 4506

TM03 6461 4506

TM03 6453 4506

7.5.2 Versions without mains plug



Warning
The pump must be connected to an external clearly labelled mains switch with a minimum contact gap of 3 mm in all poles.

- Connect the motor to the power supply in accordance with local electrical installation regulations and the connection chart on the terminal box cover.



Warning
The specified enclosure class can only be ensured if the power supply cable is connected with the same degree of protection.

Observe the direction of rotation!

Caution
To protect the motor, install a motor protecting switch or motor contactor, and set the bimetal relay to the rated motor current for the available voltage and frequency.

8. Start-up/shutdown

8.1 Initial start-up/subsequent start-up

Warning
When dosing dangerous media, observe the corresponding safety precautions!



Wear protective clothing (gloves and goggles) when working on the dosing head, connections or lines!
Before removing the dosing head, valves and lines, empty any remaining medium in the dosing head into a drip tray by carefully unscrewing the suction valve.
The pump housing must only be opened by personnel authorised by Grundfos!
Repairs must only be carried out by authorised and qualified personnel!

Caution
Observe the flow direction of valves (indicated by an arrow on the valve)!

8.1.1 Checks before start-up

- Check that the rated voltage stated on the pump nameplate corresponds to the local conditions!
- Check that all connections are secure and tighten, if necessary.
- Check that the dosing head screws are tightened with the specified torque and tighten, if necessary.
- Check that all electrical connections are correct.
- Cross-tighten the dosing head screws using a torque wrench.

Torques

Pump model	Torque [Nm]
DMH 280	55-60
DMH 281	17-19
DMH 283	27-30
DMH 285	50-54
DMH 286	80-85
DMH 287	50-54
DMH 288	75-80

8.1.2 Oil filling

The pump is factory-checked, and the oil is drained for shipping purposes. Before start-up, add the special oil supplied with the pump.

Note
The piston flange is filled with oil for easy start-up. The stroke-length adjustment knob must only be adjusted if the gear oil has been added, otherwise the oil will leak from the piston flange.

1. Slacken and remove the oil-filling screw (F).
2. Slowly add the hydraulic oil supplied with the pump through the oil-filling opening (F) until the oil reaches the mark on the oil dipstick.
3. Set the stroke-length adjustment knob (L) to "0".

8.1.3 Filling the dosing head for the initial start-up for systems without flooded suction (DMH 281-288)



Warning
When dosing dangerous media, observe the corresponding safety precautions!
Wear protective clothing (gloves and goggles) when working on the dosing head, connections or lines!

As assisting suction for systems without flooded suction, you can fill the dosing head with dosing medium before the initial start-up:

1. Unscrew the discharge valve (3b).
2. Add the dosing medium to the dosing head (2).
3. Screw the discharge valve (3b) back in.

Note
Observe the flow direction of the discharge valve (indicated by an arrow on the valve)!

8.2 Start-up/subsequent start-up of DMH 280

Fill the dosing head for start-up/subsequent start-up, see section *Filling the dosing head*. If the pump does not start, deaerate the piston flange, see *Deaerating the piston flange*.

Filling the dosing head

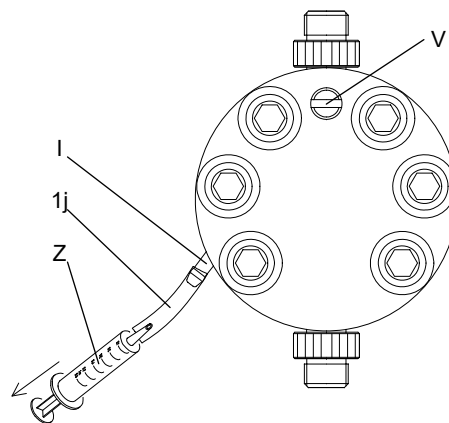


Fig. 23 Filling the dosing head

Pos.	Components
1j	Hose
I	Deaeration nipple
V	Deaeration screw
Z	Syringe

TM03 6863 4506

1. Loosen the dosing head deaeration screw (V) by approx. 1 turn.
2. Fit the hose (1j) supplied with the pump onto the deaeration nipple (I).
3. Using the syringe (Z) supplied with the pump, carefully draw the dosing medium until there is some liquid in the hose.
4. Tighten the deaeration screw (V).
5. Remove the hose (1j) and the syringe (Z).
6. Set the stroke-length adjustment knob to 70 % and let the pump run for approx. 5 minutes.
7. Switch off the pump, check the oil level and add oil, if necessary.
8. Refit the oil filling screw (F).
9. If already dosing, the pump is now ready for operation. If the pump is not dosing, deaerate the piston flange.

Deaerating the piston flange

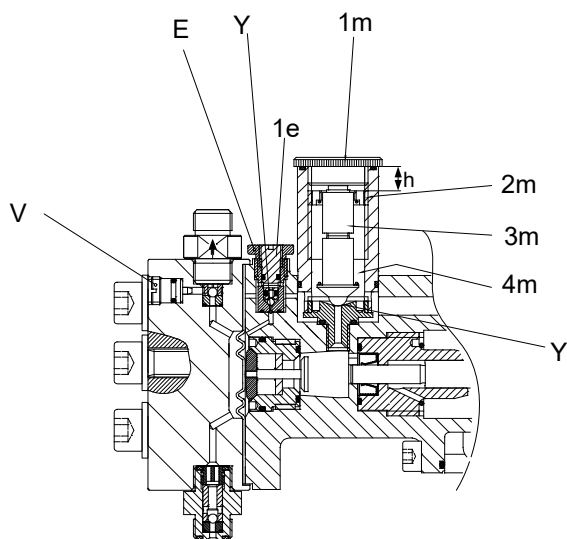


Fig. 24 Deaerating the piston flange

TM03 6864 4 506

Pos.	Components
1q	Dosing head screws
2	Dosing head
3b	Discharge valve
F	Oil-filling screw with dipstick
L	Stroke-length adjustment knob
1l	Cover for stroke-length adjustment knob
M	Pressure relief valve
V	Deaeration screw
I	Hose nipple (connection for J)
J	Deaeration hose (not supplied with the pump)
1m	Cover for pressure relief valve
2m	Adjusting screw
3m	Pressure relief valve
4m	Spring
E	Degassing valve (cartridge)
1e	Adjusting screw
Y	Holes

1. Unscrew the cover for the pressure relief valve (1m).
2. Measure the adjustment depth (h) of the adjusting screw (2m).
3. Unscrew the adjusting screw (2m).
4. Remove the pressure relief valve (3m) with spring (4m).
5. Unscrew the whole degassing valve (cartridge) (E) using a fork wrench, size 14.

- Caution** Do not turn the inner slotted screw (adjusting screw (1e)), as this changes the degassing valve setting.
6. Connect the electrical power supply.
 7. Let the pump run for approx. 5 minutes at a stroke setting of 0 % until oil (without bubbles) appears around the holes (Y). Add oil, if necessary.
 8. Switch off the pump and screw in the degassing valve (E) with front side O-ring.
 9. Refit the pressure relief valve (M/2m, 3m, 4m) in reverse order. Set the adjusting screw to the depth (h) already measured.
 10. Set the stroke-length adjustment knob to 70 % and let the pump run for approx. 5 minutes.
- The pump is now ready for operation.

Checking the degassing valve (cartridge)

Note The degassing valve (E) only operates with the spring (5e), ball (6e) and correct position of the adjusting screw (7e).

Check the setting of the degassing cartridge when the pump is switched off:

- Fully tighten the adjusting screw (7e) and then loosen by approx. 1/4 turn!

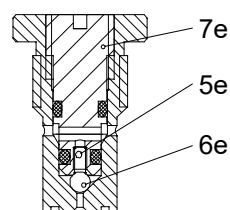


Fig. 25 Degassing valve

TM03 6865 4506

Pos.	Components
5e	Spring
6e	Ball
7e	Adjusting screw

Note Rod length of oil dipstick: 27 mm.
Immersion depth to marking: approx. 5 mm.

Check the oil level at least every two weeks and add oil, if necessary.

Note Only use original Grundfos gear oil!
For product numbers, see "Service kit catalogue" on www.grundfos.com

Pump model	Version	Description
DMH 280	Single/double	1.3 I DHG 68

After start-up

After initial start-up and after each time the diaphragm is changed, tighten the dosing head screws.

Caution After approximately 6-10 operating hours or two days, cross-tighten the dosing head screws using a torque wrench.

Torques

Pump model	Torque [Nm]
DMH 280	55-60

8.3 Start-up/subsequent start-up of DMH 281-288

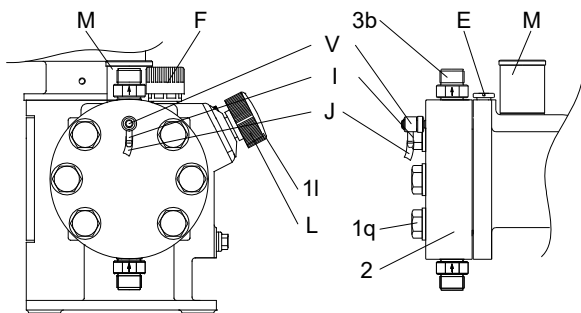


Fig. 26 Start-up of DMH 281-288

Pos.	Components
1q	Dosing head screws
2	Dosing head
3b	Discharge valve
E	Degassing valve
F	Oil-filling screw with dipstick
L	Stroke-length adjustment knob
1l	Cover for stroke-length adjustment knob
M	Pressure relief valve
V	Deaeration screw
I	Hose nipple (connection for J)
J	Deaeration hose (not supplied with the pump)

1. Connect the electrical power supply.
2. Set the stroke-length adjustment knob (L) to 0 %.
3. Let the pump run for approx. 5 minutes.

Deaerating the dosing head

1. Loosen the deaeration screw (V) by 1 turn to the left.
2. Turn the hose nipple (I) vertically downwards.

Warning

Risk of injuries caused by the dosing medium. Dosing medium leaks from the hose nipple (I) of the deaeration line. If the pressure is high, the medium may squirt out. Turn the hose nipple (I) in the right direction, or drain the dosing medium through a suitable hose.

When dosing dangerous media, observe the corresponding safety precautions!

Wear protective clothing (gloves and goggles) when working on the dosing head, connections or lines!

3. Set the stroke-length adjustment knob (L) to 15 %.
4. Let the pump run until the dosing medium flows from the deaeration hose (J) or hose nipple (I) without any bubbles back into the tank.
5. Tighten the deaeration screw (V).



Checking the oil level

1. Set the stroke-length adjustment knob (L) to 40 %.
2. Let the pump run for approx. 10 minutes with a stroke-length setting of 40 %.
3. Switch off the pump, check the oil level and add oil, if necessary.
4. Refit the oil-filling screw (F).

The pump is now ready for operation.

Note Rod length of oil dipstick: 35 mm (27 mm for DMH 281).

Immersion depth to marking: approx. 5 mm.

Check the oil level at least every two weeks and add oil, if necessary.

Note Only use original Grundfos gear oil!

For product numbers, see "Service kit catalogue" on www.grundfos.com

Pump model	Version	Description
DMH 281	Single	1.3 DHG 68
DMH 281	Double	1.3 DHG 68
DMH 283	Single	3.5 DHG 68
DMH 283	Double	4.5 DHG 68
DMH 285	Single	5.5 DHG 68
DMH 285	Double	7.5 DHG 68
DMH 286	Single	5.5 DHG 68
DMH 286	Double	7.5 DHG 68
DMH 287	Single	5.5 DHG 68
DMH 287	Double	7.5 DHG 68
DMH 288	Single	3.5 DHG 68
DMH 288	Double	4.5 DHG 68

After start-up

After initial start-up and after each time the diaphragm is changed, tighten the dosing head screws.

Caution

After approximately 6-10 operating hours or two days, cross-tighten the dosing head screws using a torque wrench.

Torques

Pump model	Torque [Nm]
DMH 281	17-19
DMH 283	27-30
DMH 285	50-54
DMH 286	80-85
DMH 287	50-54
DMH 288	75-80

8.4 Setting the pressure relief valve

The pressure relief valve is set to the pressure given by the customer, or to the rated pressure (maximum counter-pressure). The opening pressure can be set to a lower value by the customer.

Opening pressure of the pressure relief valve

Rated pressure of the pump [bar]	Opening pressure of the pressure relief valve [bar]
50	55
100	110
200	210

Setting the opening pressure

- To set the operating pressure, a pressure gauge must be installed in the discharge line and an isolating valve must be installed after the pressure gauge.
- To set the pressure relief valve,
 - use a screwdriver for DMH 280.
 - use a special tool for DMH 281-288.

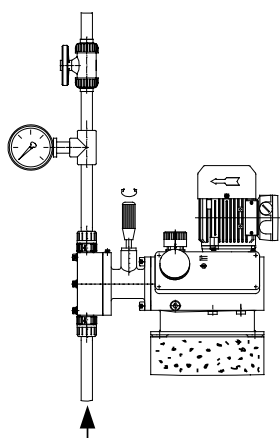


Fig. 27 Setting the opening pressure

Set the pressure relief valve as follows:

- Close the isolating valve after the pressure gauge.
- Remove the cover (1m) from the pressure relief valve.
- Start the pump.
- Adjust the pressure relief valve.
 - **DMH 280:** Using a screwdriver, slowly turn the adjusting screw (2m) of the pressure relief valve clockwise until the desired opening pressure is obtained.
 - **DMH 281-288:** Using the special tool, slowly turn the adjusting nut (2m) of the pressure relief valve clockwise until the desired opening pressure is obtained.

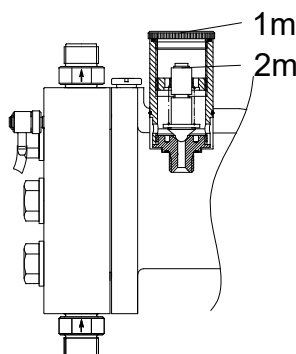


Fig. 28 Setting the pressure relief valve

Risk of damage to the pump or system!

When blocked, the pressure relief valve does not work properly and can produce pressures of several hundred bar in the pump or system.

Caution

Do not block the pressure relief valve during adjustments!

- Replace the cover of the pressure relief valve.
- Open the isolating valve after the pressure gauge.

8.5 Zero point adjustments (DMH 281-288)

8.5.1 Adjusting the zero point for system pressures up to 100 bar

The zero point of the dosing pump is factory-set to a slightly lower counter-pressure than the rated pressure of the pump. If the operating counter-pressure deviates considerably from this value, an adjustment of the zero point will ensure more precise values.

Counter-pressure at the factory-set zero point of the pump

Rated pressure of the pump [bar]	Counter-pressure at the factory-set zero point [bar]
50	30
100	80

8.5.2 Adjusting the zero point for system pressures of 100 bar and up

The pump cannot run if the stroke-length adjustment knob is fully open. Depending on the pump adjustment, this value may already be lower than 100 % on the scale for system pressures of 100 bar and up.

Caution

Adjusting range approx. 20-100 %

If the rated pressure of the pump is 100 bar or higher, the maximum dosing flow is factory-adjusted to a scale value of 100 %. The zero point is not set. The zero dosing flow is reached depending on the system pressure, e.g. already at 20 % on the scale.

Adjusting range approx. 0-80 %

You can make an adjustment so that the zero dosing flow is at a scale value of zero, but the non-permissible operating range is then within the 100 % of the scale value! Loosen the stroke-length adjustment knob completely for a maximum dosing flow, and then close it by approx. 10 %.

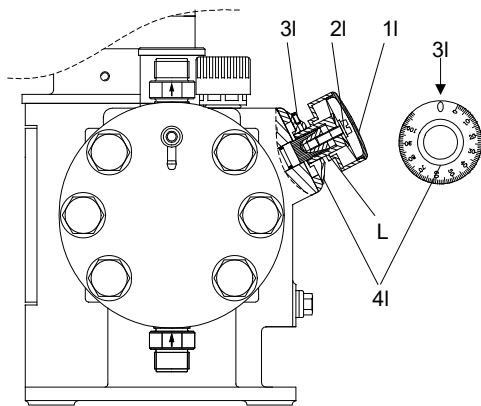
Counter-pressure at the factory-set zero point of the pump

Rated pressure of the pump [bar]	Counter-pressure at the factory-set maximum point [bar]
200	160

TM03 6464 1612

TM03 6465 4506

8.5.3 Adjusting the zero point



TMO3 6466 4506

Fig. 29 Adjusting the zero point

Pos.	Components
L	Stroke-length adjustment knob
1l	Cover
2l	Locking screw
3l	Screw
4l	Scale ring

Warning

When dosing dangerous media, observe the corresponding safety precautions!

Wear protective clothing (gloves and goggles) when working on the dosing head, connections or lines!

Always adjust the value with the discharge line connected and with operating counter-pressure.



1. Fit a measuring device on the suction side, for instance place the suction line in a graduated measuring beaker.
2. Set the dosing flow to 15 %.
3. Remove the cover (1l) from the stroke-length adjustment knob (L).
4. Use a screwdriver to loosen the locking screw (2l) by approximately 2 turns.
5. Switch on the pump.
6. Slowly turn the stroke-length adjustment knob towards the zero point until the dosing (the liquid level falls) stops in the measuring device.
7. Switch off the pump.
8. Set the scale ring (4l) to zero.
 - Loosen the screw (3l) in the scale ring (4l) slightly using an hexagon key, M3.
 - Turn the scale ring (4l) until both "0" are the same on the scale and scale ring.
 - Tighten the screw (3l).
9. Depending on the application, tighten the locking screw (2l) so that the stroke-length adjustment knob can still be turned/cannot be turned any more.
10. Replace the cover (1l).

8.6 Operating the pump

Note

When operating the pump, see sections [9. Operation](#) and [10. Maintenance](#) and, if necessary, section [11. Fault finding chart](#).

8.7 Shutdown



Warning

Wear protective clothing (gloves and goggles) when working on the dosing head, connections or lines! Do not allow any chemicals to leak from the pump. Collect and dispose of all chemicals correctly!

Note

If possible, rinse the dosing head before shutting down the pump, e.g. by supplying it with water.

8.7.1 Switching off/uninstalling

1. Switch off the pump and disconnect it from the power supply.
2. Depressurise the system.
3. Take suitable steps to ensure that the returning dosing medium is safely collected.
4. Carefully remove all lines.
5. Uninstall the pump.

8.7.2 Cleaning

1. Rinse all parts that have come into contact with the medium very carefully:
 - lines
 - valves
 - dosing head
 - diaphragm.
2. Remove any trace of chemicals from the pump housing.

8.7.3 Storage

Storage of the pump:

1. After cleaning (see section [8.7.2 Cleaning](#)), carefully dry all parts and reinstall the dosing head and valves, or
2. change the valves and diaphragm.

See section [10. Maintenance](#).

8.7.4 Disposal

Disposal of the pump:

- After cleaning (see section [8.7.2 Cleaning](#)), dispose of the pump in accordance with the relevant regulations.

9. Operation

9.1 Switching on/off

Caution Before switching on the pump, check that it is installed correctly. See sections 6. *Installation* and 8. *Start-up/shutdown*.

- To start the pump, switch on the power supply.
- To stop the pump, switch off the power supply.

9.2 Setting the dosing capacity

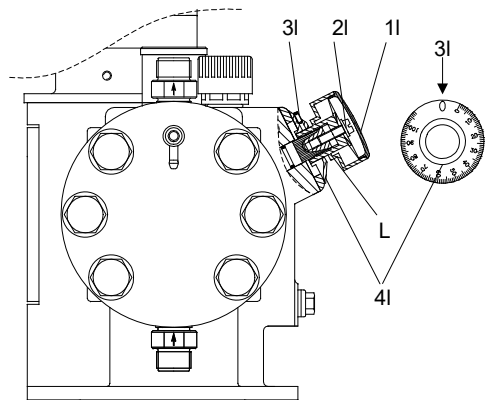


Fig. 30 Setting the dosing capacity

TM03 6466 4506

Pos.	Components
L	Stroke-length adjustment knob
1l	Cover
2l	Locking screw
3l	Screw
4l	Scale ring

9.2.1 Setting the dosing flow and locking the stroke-length adjustment knob

1. Remove the cover (1l) from the stroke-length adjustment knob (L).
2. Use a screwdriver to loosen the locking screw (2l) by approximately 2 turns.
3. Increase or *reduce* the dosing flow while the pump is running.
 - Slowly turn the stroke-length adjustment knob to the left or right to set the desired dosing volume.
4. Depending on the application, tighten the locking screw (2l) so that the stroke-length adjustment knob can still be turned/cannot be turned any more.
5. Replace the cover (1l).

The pump cannot be operated if the stroke-length adjustment knob is fully open! Depending on the pump adjustment, this value may already be lower than 100 % on the scale for system pressures higher than 100 bar.

Caution Open the stroke-length adjustment knob completely and then close by approx. 10 % in order to set the dosing flow to 100 %.

9.3 Deaeration

Manual deaeration of the dosing head (while the pump is running)



Warning
When dosing dangerous media, observe the corresponding safety precautions!
Wear protective clothing (gloves and goggles) when working on the dosing head, connections or lines!



Warning
Risk of injuries caused by the dosing medium. Dosing medium leaks from the hose nipple (I) of the deaeration line. If the pressure is high, the medium may squirt out. Turn the hose nipple (I) in the right direction, or drain the dosing medium through a suitable hose.

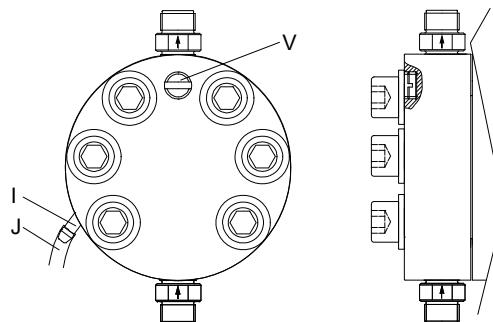


Fig. 31 DMH 280

TM03 6867 4506

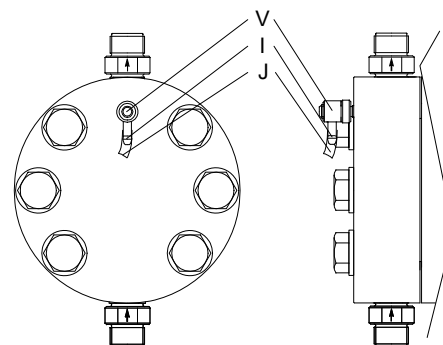


Fig. 32 DMH 281-288

TM03 6868 4506

Pos.	Components
I	Hose nipple
J	Deaeration hose
V	Deaeration screw

Note DMH 280: If the deaeration screw is too loose, the O-ring can be washed away.

1. Loosen the deaeration screw (V):
 - DMH 280: by max. 1/2 turn to the left.
 - DMH 281-288: by 1 turn to the left.
2. Let the pump run until the dosing medium flows from the deaeration hose (J) or hose nipple (I) without any bubbles back into the tank.
3. Carefully tighten the deaeration screw (V).

9.4 Using the AR control unit (optional)

When using the AR control unit, observe the installation and operating instructions for the "AR control unit" in addition to the instructions in this manual.

9.5 Electric servomotor (optional)

To operate the servomotor, see the installation and operating instructions for the servomotor.

9.6 Electronic preselection counter (optional)

To operate the preselection counter, see the installation and operating instructions for the counter.

9.7 Electrically heated dosing head (optional)

To operate the temperature controller, see the installation and operating instructions for the temperature controller.

10. Maintenance

10.1 General notes

Warning

When dosing dangerous media, observe the corresponding safety precautions!

Wear protective clothing (gloves and goggles) when working on the dosing head, connections or lines!

The pump housing must only be opened by personnel authorised by Grundfos!

Repairs must only be carried out by authorised and qualified personnel!

Switch off the pump and disconnect it from the power supply before carrying out maintenance work and repairs!

Before removing the dosing head, valves and lines, empty any remaining medium in the dosing head into a drip tray by carefully unscrewing the suction valve.



Caution

Observe the flow direction of valves (indicated by an arrow on the valve)!

10.2 Diaphragm leakage control for diaphragm leakage detection

If a diaphragm leakage has been detected, first of all check whether an error has been displayed, as different external factors such as the heating of dosing or hydraulic medium can cause the cracked medium between the diaphragms to be displaced into the valve, thereby causing an error to occur.

Checks after a diaphragm leakage detection:

1. Briefly open the deaeration screw (2u) and then close it again.
2. Switch on the pump.
3. If, after a short period of time, a diaphragm leakage is detected again, a diaphragm has broken.

After a diaphragm breakage, replace the diaphragms and clean the non-return valve, see section

[10.7 Replacing the diaphragm for dosing head with double diaphragm.](#)

Caution

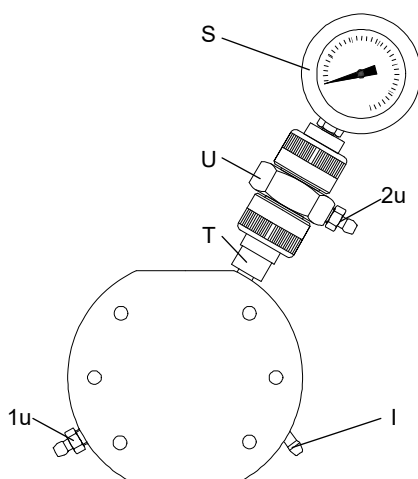


Fig. 33 DMH 280: dosing head with double diaphragm

TM03 6869 4506

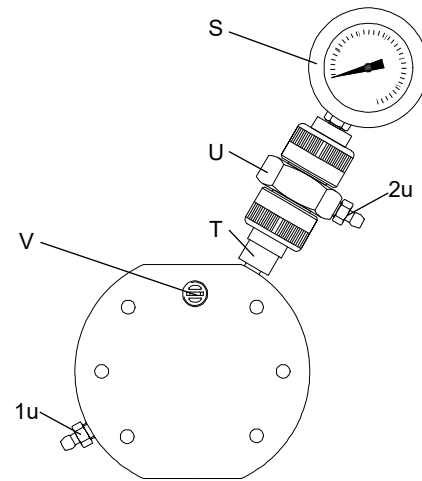


Fig. 34 DMH 281-288: dosing head with double diaphragm

TM03 6870 4506

Pos.	Components
I	Connection for deaeration line
S	Contact pressure gauge
T	Ball non-return valve
U	Connection piece
1u	Filling screw
2u	Deaeration screw
V	Deaeration screw

10.3 Cleaning and maintenance intervals

Checking the oil level

- Check the oil level every two weeks and add oil, if necessary.

Cleaning the valves

- At least every 12 months or after 4,000 operating hours.
- If the pump does not perform.
- In the event of a fault.

Clean the valves and replace, if necessary (for stainless-steel valves: inner valve parts).

Changing diaphragms and gear oil

- At least every 12 months or after 8,000 operating hours, change the dosing diaphragm and gear oil.
- In dusty installation sites, change the gear oil every 3,000 operating hours.

Cleaning the ball non-return valve of the double diaphragm

- After a diaphragm breakage, remove the ball non-return valve immediately and clean it.

Note

Only clean the ball non-return valve after a diaphragm breakage!

Replacing the grooved ring

- In the event of a fault, e.g. pump not performing, the grooved ring can be checked by authorised personnel and replaced, if necessary.

10.4 Checking the oil level

Caution Check the oil level at least every two weeks and add oil, if necessary.

Rod length of oil dipstick:

Note DMH 280-281: 27 mm.

DMH 283-288: 35 mm.

Immersion depth to marking: approx. 5 mm.

10.5 Cleaning the suction and discharge valves

Warning



Wear protective clothing (gloves and goggles) when working on the dosing head, connections or lines!

Before removing the dosing head, valves and lines, empty any remaining medium in the dosing head into a drip tray by carefully unscrewing the suction valve.

DN 4 valve

- Screwed connection 3/8"
- Stainless steel
- Spring-loaded.

DN 8 valve

- Screwed connection 5/8"
- Stainless steel
- Spring-loaded.

DN 20 valve

- Screwed connection 1 1/4"
- Stainless steel
- Spring-loaded (optional).

Clean the suction and discharge valves as follows:

1. Unscrew the valves.
2. Unscrew the screw parts and valve set using round pliers.
3. Dismantle the inner part (seat, O-ring, balls, ball cages and, if present, spring).
4. Clean all parts. Replace faulty parts by new ones.
5. Re-assemble the valve.
6. Replace the O-rings by new ones. Refit the valve.

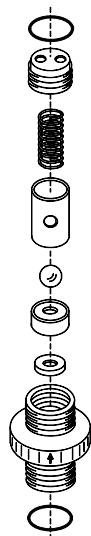


Fig. 35 Stainless steel DN 4 valve, spring-loaded

TM03 6871 4506

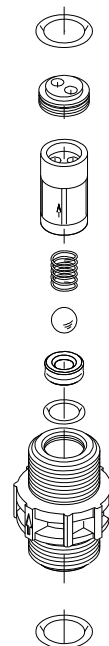


Fig. 36 Stainless-steel DN 8 valve, spring-loaded

TM03 6468 4506

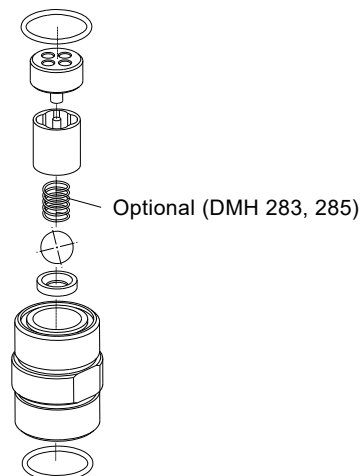


Fig. 37 Stainless-steel DN 20 valve

TM04 8569 2812

Caution

The O-rings must be correctly placed in the specified groove.

Observe the flow direction (indicated by an arrow on the valve)!

10.6 Replacing the diaphragm and gear oil for dosing head with single diaphragm (no diaphragm leakage detection)

Warning

Wear protective clothing (gloves and goggles) when working on the dosing head, connections or lines!
The dosing diaphragm should be replaced with each gear oil change.



Before removing the dosing head, valves and lines, empty any remaining medium in the dosing head into a drip tray by carefully unscrewing the suction valve.

Only use original Grundfos gear oil!

Note For product numbers, see "Service kit catalogue" on www.grundfos.com

Pump model	Version	Description
DMH 280	Single/double	1.3 l DHG 68
DMH 281	Single/double	1.3 l DHG 68
DMH 283	Single	3.5 l DHG 68
DMH 283	Double	4.5 l DHG 68
DMH 285	Single	5.5 l DHG 68
DMH 285	Double	7.5 l DHG 68
DMH 286	Single	5.5 l DHG 68
DMH 286	Double	7.5 l DHG 68
DMH 287	Single	5.5 l DHG 68
DMH 287	Double	7.5 l DHG 68
DMH 288	Single	3.5 l DHG 68
DMH 288	Double	4.5 l DHG 68

Note Collect the gear oil in a container and dispose of it correctly.

10.6.1 Drain gear oil

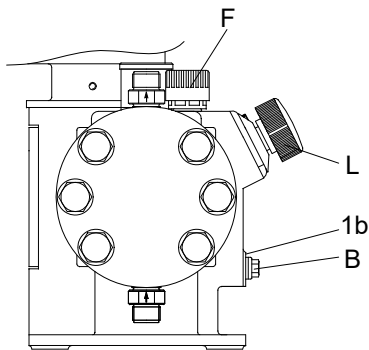


Fig. 38 Drain gear oil

Pos.	Components
B	Locking screw
1b	Gasket
F	Oil-filling screw with dipstick
L	Stroke-length adjustment knob

1. Unscrew the locking screw (B) and collect the gear oil in a container.
2. Screw the locking screw (B) and the new gasket (1b) back in and tighten securely.

Caution Risk of leaking oil and damage caused by oil loss!
For each oil change, a new flat gasket (1b) must be fitted!

10.6.2 Removing the dosing head

1. Close the suction and discharge lines and loosen the suction and discharge valve connections.
2. Loosen the six dosing head screws (1q with 2q).
3. Remove the dosing head (2).

10.6.3 Replacing a single diaphragm (no diaphragm leakage detection)

- Remove the diaphragm and fit a new diaphragm (Q) on the suction side. See fig. 39.

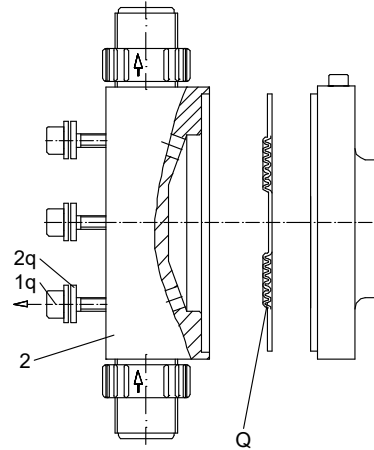


Fig. 39 Replacing a single diaphragm

Pos.	Components
1q	Dosing head screw
2q	Intermediate disk
2	Dosing head
Q	Diaphragm

10.6.4 Fitting the dosing head

- Fit the dosing head and cross-tighten the dosing head screws (1q with 2q) using a torque wrench.

Note See section 8. *Start-up/shutdown* for subsequent start-up!

10.6.5 Filling with gear oil

Risk of leaking oil and damage caused by oil loss!

Caution For each oil change, a new flat gasket (1b) must be fitted!

1. Check that the locking screw (B) is tightened.
2. Slacken and remove the oil-filling screw (F).
3. Set the stroke-length adjustment knob (L) to "0".
4. Slowly add the hydraulic oil through the oil-filling opening (F) until the oil reaches the mark on the oil dipstick.
5. Wait 30 minutes.
6. Let the pump run for approx. 5 minutes with a stroke-length setting of 0 %.
7. Let the pump run for approx. 10 minutes with a stroke-length setting of 40 %.

TM03 6472 4506

TM03 6473 4506

10.6.6 Checking the oil level

1. Switch off the pump, check the oil level and add oil, if necessary.
2. Refit the oil-filling screw (F).

After initial start-up and after each time the diaphragm is changed, tighten the dosing head screws.

Caution

After approximately 6-10 operating hours or two days, cross-tighten the dosing head screws using a torque wrench.

Torques

Pump model	Torque [Nm]
DMH 280	55-60
DMH 281	17-19
DMH 283	27-30
DMH 285	50-54
DMH 286	80-85
DMH 287	50-54
DMH 288	75-80

10.7 Replacing the diaphragm for dosing head with double diaphragm

Warning

Wear protective clothing (gloves and goggles) when working on the dosing head, connections or lines!



The dosing diaphragm should be replaced with each gear oil change.

Before removing the dosing head, valves and lines, empty any remaining medium in the dosing head into a drip tray by carefully unscrewing the suction valve.

Only use original Grundfos gear oil!

Note

For product numbers, see "Service kit catalogue" on www.grundfos.com

10.7.1 Removing the dosing head

1. Close the suction and discharge lines and loosen the suction and discharge valve connections.
2. Loosen the six dosing head screws (1q with 2q).
3. Remove the dosing head (2).

10.7.2 Replacing a double diaphragm

1. Clean the intermediate disk (3q), sealing rings (4q) and covering rings (5q). After a diaphragm breakage, replace the parts by new ones.
2. Remove both clamping sleeves (6q) slightly using pliers. After a diaphragm breakage, replace the parts by new ones.
3. Measure the outer wall thickness of both new diaphragms (Q1 and Q2): $s_{1(Q1)} < s_{2(Q2)}$.

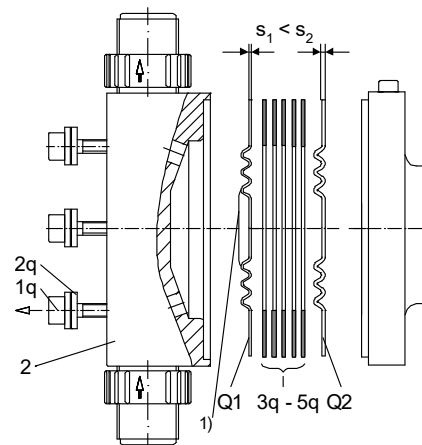


Fig. 40 Installation of diaphragm

- 1) The shape of the diaphragm varies depending on pump type.

Pos.	Components
1q	Dosing head screw
2q	Intermediate disk
2	Dosing head
Q1/Q2	See fig. 41
3q - 5q	

Observe correct installation of diaphragms (Q1 and Q2)! See fig. 41.

Caution

Fit the thinner diaphragm (Q1) on the dosing side and the thicker diaphragm (Q2) on the oil side/pump side!

4. Fit both new diaphragms (Q1 and Q2) and the parts (3q - 5q) in the correct order, as is shown in the diagrams (the clamping sleeves (6q) are used for centring purposes).

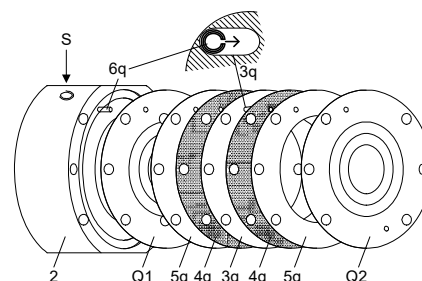


Fig. 41 Diaphragm on dosing-head side

Pos.	Components
S	Contact pressure gauge (installation position)
Q1	Diaphragm on dosing-head side
Q2	Diaphragm on oil side/pump side
3q	Intermediate disk
4q	Sealing rings
5q	Covering rings
6q	Clamping sleeves

TM03 6474 4506

TM03 6475 4506

The paraffin oil between the diaphragms (Q) is connected via the clamping sleeves (6q) to the contact pressure gauge (S) in order to fill and activate the diaphragm leakage detection. The oil is able to pass between the diaphragms through the slits in the clamping sleeves and the slits in the intermediate disk.

Caution

The clamping sleeves (6q) must therefore be installed in such a way that the slits in the clamping sleeve face the slits in the intermediate disk (3q). See fig. 41.

10.7.3 Fitting the dosing head

- Fit the dosing head and cross-tighten the dosing head screws using a torque wrench.

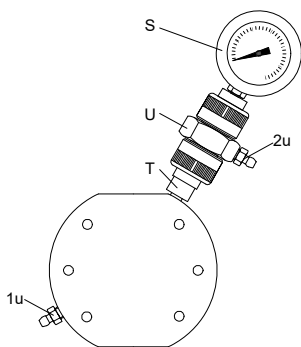
Note

See section 8. *Start-up/shutdown* for subsequent start-up!

10.7.4 Filling the double diaphragm with separating agent**Caution**

After a diaphragm has broken, the ball non-return valve must be cleaned before the diaphragm is filled with separating agent. Only clean the ball non-return valve after a diaphragm breakage!

Pump with double diaphragm: After the diaphragm has been replaced, refill the separating agent between the diaphragms.



TM03 6467 4506

Fig. 42 Dosing head with double diaphragm

Pos.	Components
S	Contact pressure gauge
T	Ball non-return valve
U	Connection piece
1u	Filling screw
2u	Deaeration screw

- Set the stroke-length adjustment knob of the pump to 0 %.
- Open the filling screw (1u) and deaeration screw (2u) by one turn.
- Connect the filling hose to the nipple of the filling screw (1u) and, using the dosing syringe, inject the correct amount of paraffin oil that is specified in the table below.
- Close the filling screw (1u), but leave the deaeration screw (2u) open.
- Start the pump with a system counter-pressure and stroke-length setting of 40 %.
- Only close the deaeration screw (2u) when the separating agent stops flowing (after 5 to 10 minutes).

Note

After a few operating hours, especially if the pressure of the pressure gauge is increasing, deaerate the double diaphragm again.

Quantity of paraffin oil required for dosing pumps with a double diaphragm (per dosing head)

Pump model	Filling quantity [ml]
DMH 280	3
DMH 281	3
DMH 283	4
DMH 285	4
DMH 286	6
DMH 287	4
DMH 288	4

Note

For product numbers of double-diaphragm filling components, see "Service kit catalogue" on www.grundfos.com

10.7.5 Filling with gear oil**Caution**

Risk of leaking oil and damage caused by oil loss!
For each oil change, a new flat gasket (1b) must be fitted!

- Check that the locking screw (B) is tightened.
- Slacken and remove the oil-filling screw (F).
- Set the stroke-length adjustment knob (L) to "0".
- Slowly add the hydraulic oil through the oil-filling opening (F) until the oil reaches the mark on the oil dipstick.
- Wait 30 minutes.
- Let the pump run for approx. 5 minutes with a stroke-length setting of 0 %.
- Let the pump run for approx. 10 minutes with a stroke-length setting of 40 %.

10.7.6 Checking the oil level

- Switch off the pump, check the oil level and add oil, if necessary.
- Refit the oil-filling screw (F).

After initial start-up and after each time the diaphragm is changed, tighten the dosing head screws.

Caution

After approximately 6-10 operating hours or two days, cross-tighten the dosing head screws using a torque wrench.

Torques

Pump model	Torque [Nm]
DMH 280	55-60
DMH 281	17-19
DMH 283	27-30
DMH 285	50-54
DMH 286	80-85
DMH 287	50-54
DMH 288	75-80

10.7.7 Cleaning the ball non-return valve

Note Only clean the ball non-return valve after a diaphragm breakage!

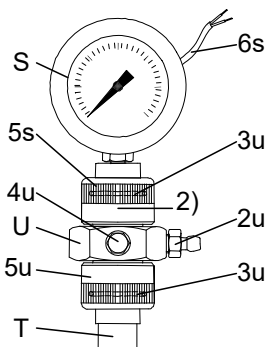


Fig. 43 Contact pressure gauge

TM03 6453 4506

Pos.	Components
S	Contact pressure gauge
5s	Union nut
6s	Contact output
T	Ball non-return valve
U	Connection piece
2u	Deaeration screw
3u	O-rings
4u	Connection for earth cable
5u	Union nut
2)	or locking unit (instead of contact pressure gauge and its connection)

Removing the ball non-return valve and contact pressure gauge

1. For pumps and pressure gauges in explosion-proof version, unscrew the earth cable (4u).
2. Hold the connection piece (U) with a screwdriver and unscrew the union nut (5u).
3. Unscrew the ball non-return valve (T) from the dosing head.

Cleaning the ball non-return valve

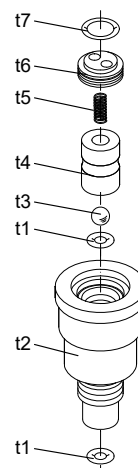


Fig. 44 Ball non-return valve

TM03 6476 4506

Pos.	Components
t1	O-ring
t2	Ball non-return valve body
t3	Ball
t4	Spring sheath
t5	Pressure spring
t6	Screw part
t7	O-ring

1. Unscrew the screw part (t6) using round pliers.
2. Clean all parts. Replace faulty parts by new ones.
3. Re-assemble the ball non-return valve.
4. Refit the ball non-return valve (T).
5. Screw the contact pressure gauge (S) and connection piece (U) back on.
6. For pumps and pressure gauges in explosion-proof version, screw the earth cable (4u) back on.

Caution Tighten the ball non-return valve and connection piece by hand only.

11. Fault finding chart



Warning

Actions that are taken to correct faults on the pump and that are not described in this manual, must only be carried out by personnel authorised by Grundfos!

Fault	Diagnosis	Cause	Remedy
No dosing flow even at a low counter-pressure. (Pump is running without any noise).	No motor sound or vibrations. Fan is not rotating.	Motor is not running.	Connect the power supply or replace the motor, if blown.
	When the oil-filling screw (F) is removed, use the dipstick to observe a calm oil surface. There is no "sloshing".	Motor runs, but the eccentric shaft is not rotating. No piston movement. Spiral pin or motor shaft broken.	Remove the motor and eccentric shaft. Replace damaged parts.
	The degassing valve (M) does not eV ACuate any oil. Oil level too low. See oil dipstick (F). No reaction of the overpressure valve if the suction line is closed.	Not enough oil in the pump. Air is penetrating the piston flange through the control holes.	Fill in oil. Deaerate the pump, see section 8. <i>Start-up/shutdown</i> .
No dosing flow even at a low counter-pressure. (Pump is running noisily although the overpressure valve reacted).	No dosing flow on the discharge side.	Dosing head is not filled. Suction line empty. Tank empty.	Deaerate the dosing head. Fill/exchange the tank on the suction side.
	The overpressure valve reacts independently of the dosing flow adjustment (10 % to 100 %). Fault detection: When the dosing head deaeration screw (V) is opened, jet medium leaks out.	Valve on discharge side closed.	Open the valve.
		Counter-pressure is higher than the adjusted pressure at the overpressure valve.	Adjust the overpressure valve higher, but only if the pump is designed for this. Never block the overpressure valve.
		Discharge valve is installed in the opposite direction of the flow. Observe the arrow on the valve.	Install the discharge valve correctly.
	The diaphragm protection system (AMS) responds. The overpressure valve reacts independently of the dosing flow adjustment (10 % to 100 %). Fault detection: When the dosing head deaeration screw (V) is opened, no jet medium leaks out.	Valve on suction side closed.	Open the valve.
		Suction filter obstructed.	Clean the suction filter. Replace, if necessary.
		Suction valve jammed (does not open).	Dismantle and check the suction valve.
		Suction valve has a too strong spring.	Use the fitting spring, or use double ball valve for checking.
	The diaphragm protection system (AMS) responds. The overpressure valve reacts at 100 % dosing flow. When reducing the flow ~10 % to 20 %, the overpressure valve does not react any more.	Suction valve is installed in the opposite direction of the flow. Observe the arrow on the valve.	Install the suction valve correctly.
		Dosing head is not completely deaerated.	Fill the dosing head completely.
Pump is cavitating (dosing liquid with too high viscosity; dosing liquid with too high steam pressure at operating temperature = degassing of the liquid; suction lift too high; wrong design of the system on suction side).		Use a gear with a low stroke number; use valves with bigger nominal width; realise positive inlet pressure.	
Pump does not dose or pressure relief valve opens.	Diaphragm broken (not enough oil in the enclosure of the pump; piston flange).	Clean and grease well all parts using oil according to regulations. Then install a new diaphragm.	
	Discharge valve of pump is clogged or ball guide in the valve is worn due to corrosive or abrasive media.	Uninstall the discharge valve. Dismantle and clean, or if the bars of the ball guide are worn, replace the valve.	

Fault	Diagnosis	Cause	Remedy
Dosing flow too small.	Suction valve: During the discharge stroke, the dosing liquid flows back into the suction line. Discharge valve: During the suction stroke, the dosing liquid flows back into the dosing head. The pump takes in less.	Suction/discharge valves dirty or leaky.	Clean or replace valves.
	Dosing flow depends very much on the pressure. If the counter-pressure is low, the dosing flow increases considerably. If the stroke frequency rises, the dosing flow increases excessively.	The piston lip seal is worn out (usually after a long period of operation or if the oil is dirty). Too much clearance between piston and slide valve, or the stroke frequency of the pump is too low (too much slip).	Replace grooved ring. Replace the piston and piston slide valves. Use other hydraulic oil with a higher viscosity (mainly for frequency converter operation and higher counter-pressures).
	Fault detection: When the pump stops, fit the degassing valve (E) block, start up the pump. Check if the dosing flow increases. Open the degassing valve (E) again when the pump stops.	The O-rings of the degassing valve (E) are faulty. The degassing valve (M) discharges too much oil.	Replace O-rings. Caution! If the O-rings are incorrectly installed, or if the degassing valve (E) is adjusted during operation, this may damage the O-rings. Correct setting and replace degassing valve (M), if necessary.
	The degassing valves (M, E) no longer operate. The degassing valve (M) does not discharge any oil. Briefly close the suction side until the overpressure valve reacts. Adjust the dosing flow to approx. 50 %. The piston flange conveys the oil and the air into the tank via the overpressure valve. New oil is extracted from the tank and taken in through the piston holes.	Air has accumulated in the piston flange. The air cannot be eV ACuated.	Check setting on degassing valve (M), replace degassing valves (M, E), if necessary.
Pump doses too much.	Pressure gauge in discharge line.	Counter-pressure has seriously increased. Overpressure valve is adjusted too low.	Readjust the zero point (DMH 281-288). Correct the setting of the pressure relief valve.
	Pressure gauge in discharge line.	Counter-pressure has seriously dropped.	Readjust the zero point (DMH 281-288).
	Heavy overdose. Overdosing at high dosing flow settings and flows.	Inlet pressure of suction line higher than counter-pressure of discharge line. Too big dynamic in the suction line.	Install a pressure-loading valve. Install a pulsation damper on the suction side.

12. Dosing curves

The dosing curves in the appendix are trend curves. See appendix: [Dosing curves](#).

They apply to:

- performance of single pump (the flow rate is doubled for the double pump)
- water as dosing medium
- zero point of pump Q_0 for specified pressure, see table below
- standard pump version.

Abbreviation	Description
Q	Dosing flow
Q_0	Zero point of the pump
h	Stroke length

13. Disposal

This product or parts of it must be disposed of in an environmentally sound way:

1. Use the public or private waste collection service.
2. If this is not possible, contact the nearest Grundfos company or service workshop.



The crossed-out wheellie bin symbol on a product means that it must be disposed of separately from household waste. When a product marked with this symbol reaches its end of life, take it to a collection point designated by the local waste disposal authorities. The separate collection and recycling of such products will help protect the environment and human health. See also end-of-life information at www.grundfos.com/product-recycling.

1. Dosing curves

DMH 280

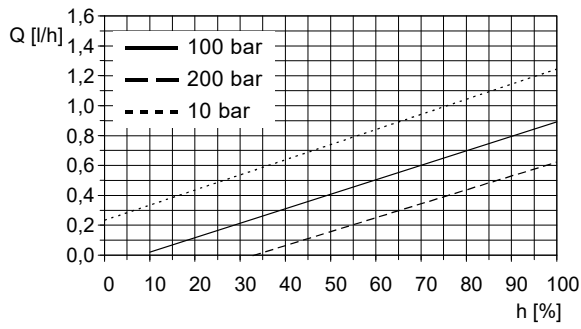


Fig. 1 DMH 0,6-200 (50 Hz), $Q_0 = 75$ bar

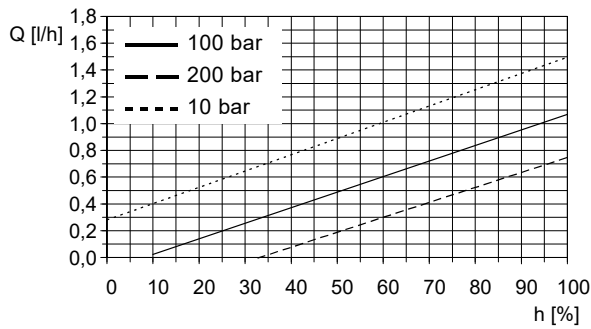


Fig. 2 DMH 0,6-200 (60 Hz), $Q_0 = 75$ bar

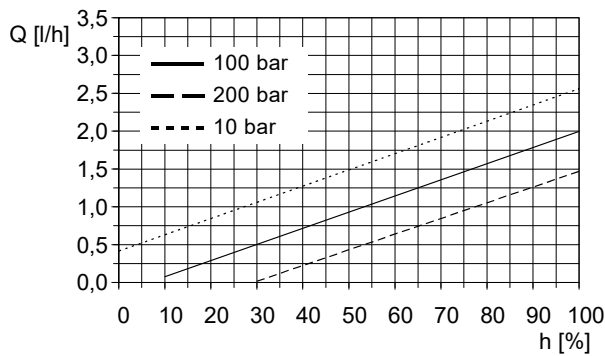


Fig. 3 DMH 1,3-200 (50 Hz), $Q_0 = 75$ bar

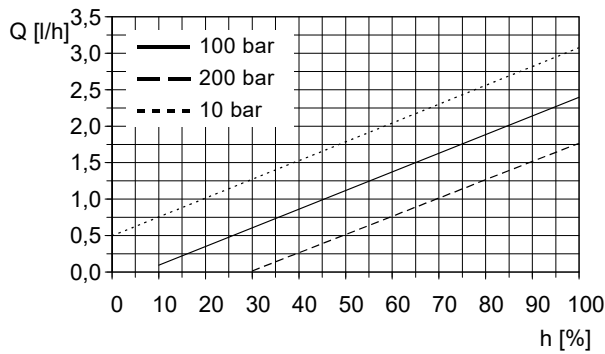


Fig. 4 DMH 1,3-200 (60 Hz), $Q_0 = 75$ bar

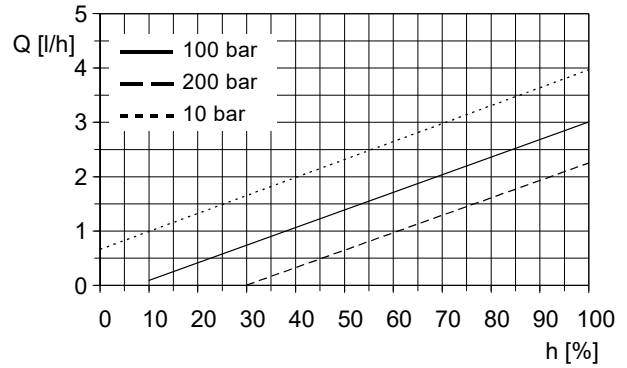


Fig. 5 DMH 2,2-200 (50 Hz), $Q_0 = 75$ bar

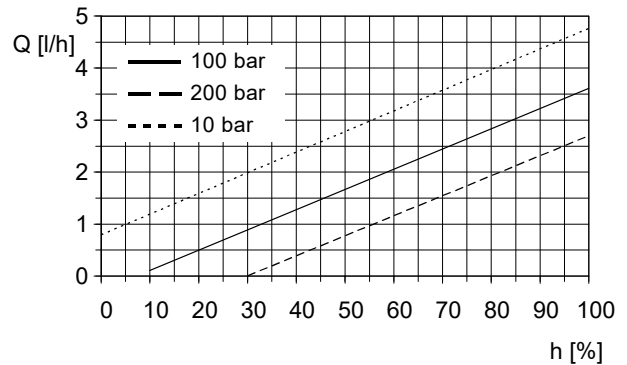


Fig. 6 DMH 2,2-200 (60 Hz), $Q_0 = 75$ bar

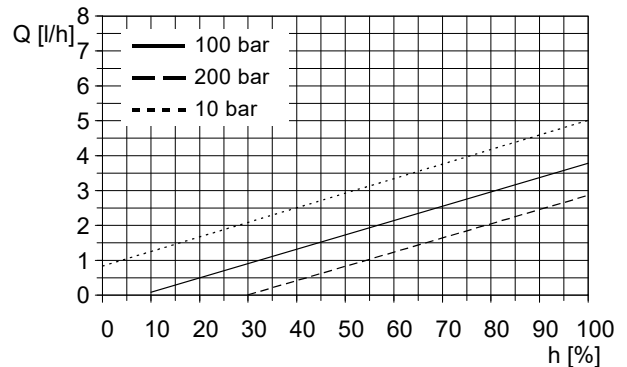


Fig. 7 DMH 2,5-200 (50 Hz), $Q_0 = 75$ bar

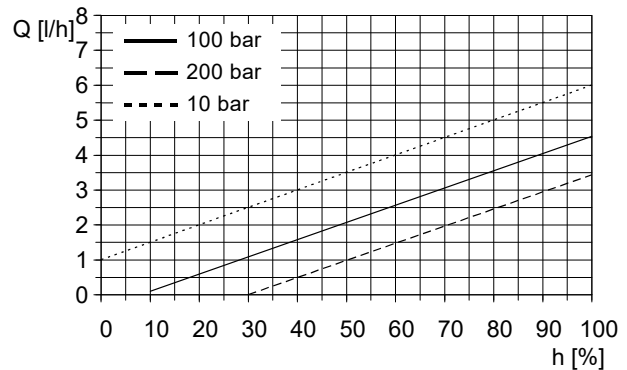


Fig. 8 DMH 2,5-200 (60 Hz), $Q_0 = 75$ bar

TM03 6801 4506

TM03 6796 4506

TM03 6797 4506

TM03 6801 4506

TM03 6798 4506

TM03 6802 4506

TM03 6799 4506

TM03 6803 4506

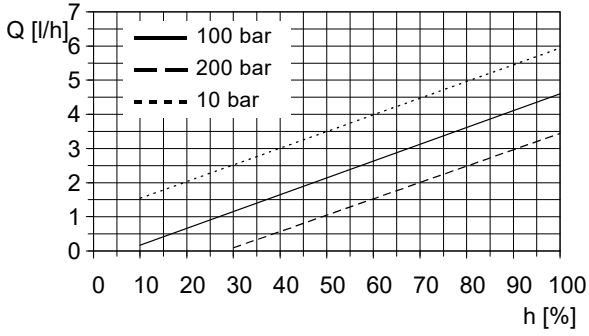


Fig. 9 DMH 3,3-200 (50 Hz), $Q_0 = 75$ bar

TM03 6804 4506

DMH 281

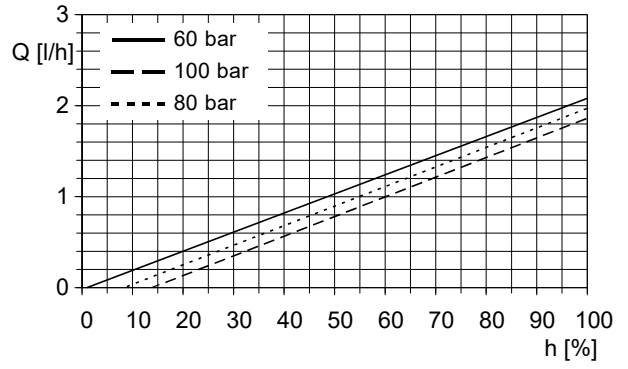


Fig. 10 DMH 2-100 (50 Hz), $Q_0 = 60$ bar

TM03 7201 4506

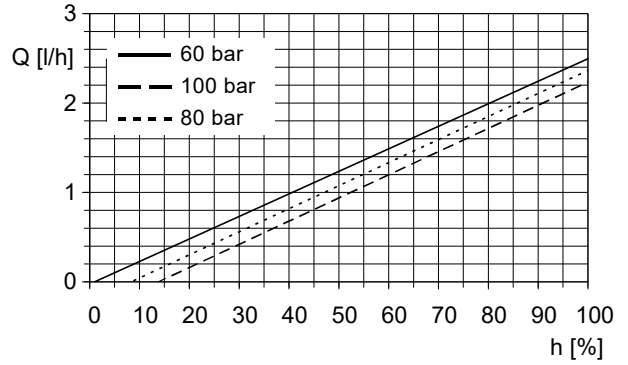


Fig. 11 DMH 2-100 (60 Hz), $Q_0 = 60$ bar

TM03 7202 4506

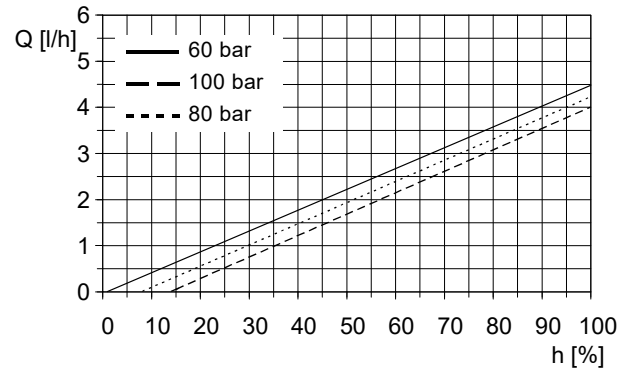


Fig. 12 DMH 4,2-100 (50 Hz), $Q_0 = 60$ bar

TM03 6805 4506

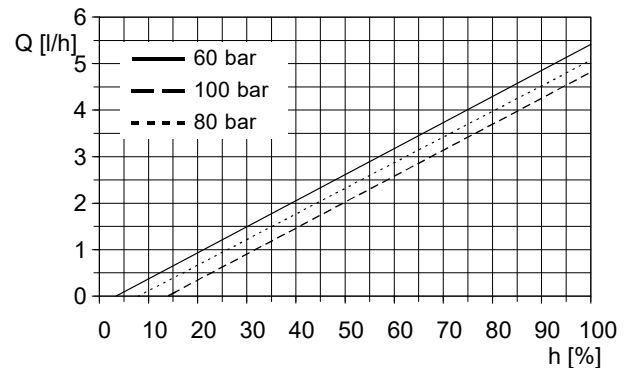


Fig. 13 DMH 4,2-100 (60 Hz), $Q_0 = 60$ bar

TM03 6806 4506

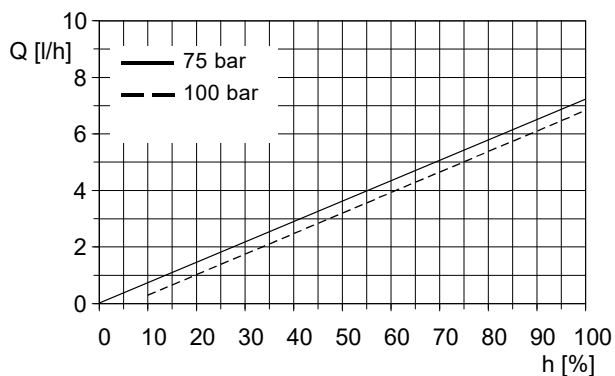


Fig. 14 DMH 6,4-100 (50 Hz), $Q_0 = 75$ bar

TM03 6807 4506

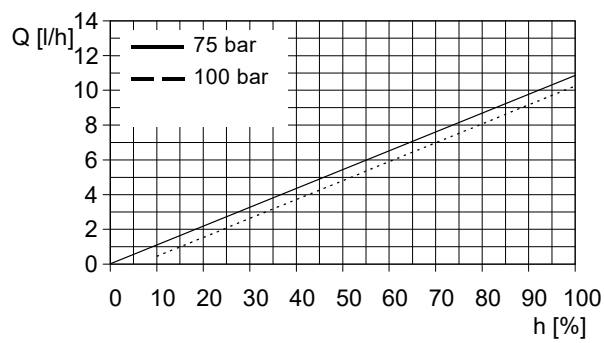


Fig. 18 DMH 9,6-100 (50 Hz), $Q_0 = 75$ bar

TM03 6811 4506

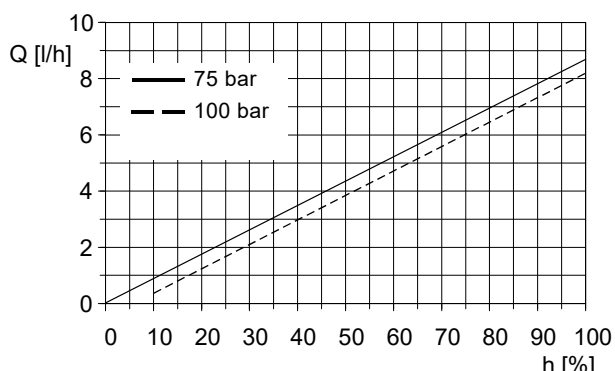


Fig. 15 DMH 6,4-100 (60 Hz), $Q_0 = 75$ bar

TM03 6808 4506

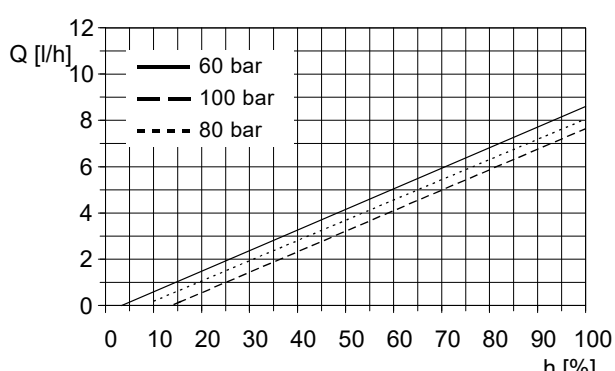


Fig. 16 DMH 8-100 (50 Hz), $Q_0 = 60$ bar

TM03 6809 4506

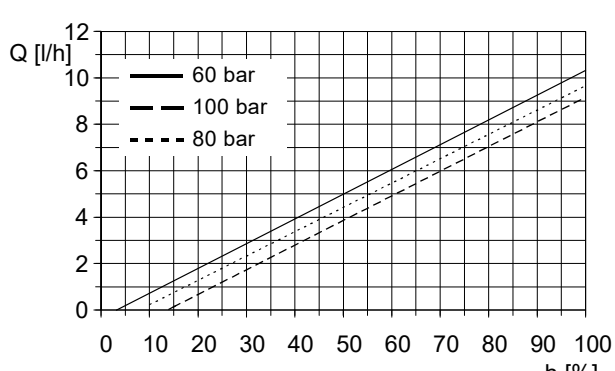


Fig. 17 DMH 8-100 (60 Hz), $Q_0 = 60$ bar

TM03 6810 4506

DMH 283

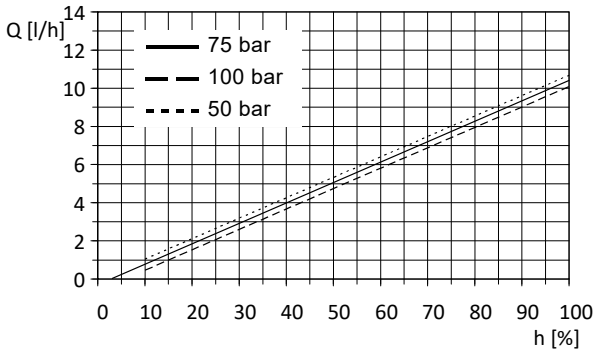


Fig. 19 DMH 10-100 (50 Hz), $Q_0 = 75$ bar

TM04 8567 2812

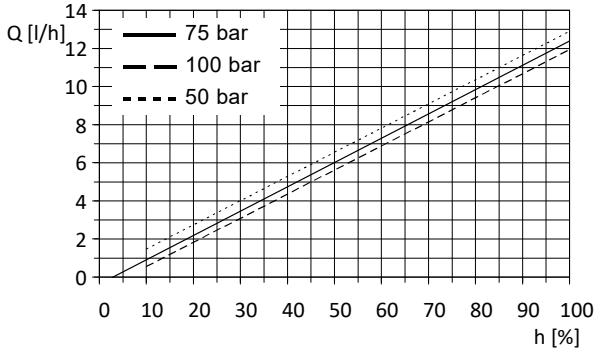


Fig. 20 DMH 10-100 (60 Hz), $Q_0 = 75$ bar

TM04 8568 2812

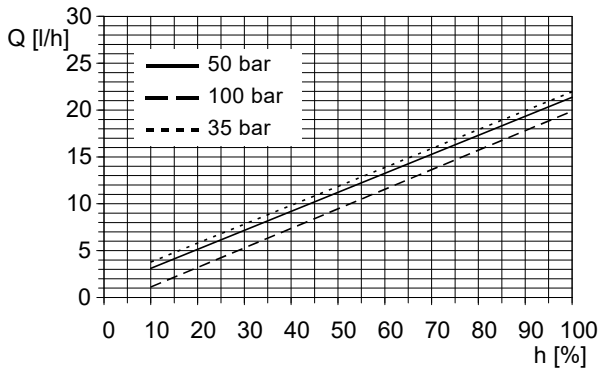


Fig. 21 DMH 19-100 (50 Hz), $Q_0 = 75$ bar

TM03 6812 4506

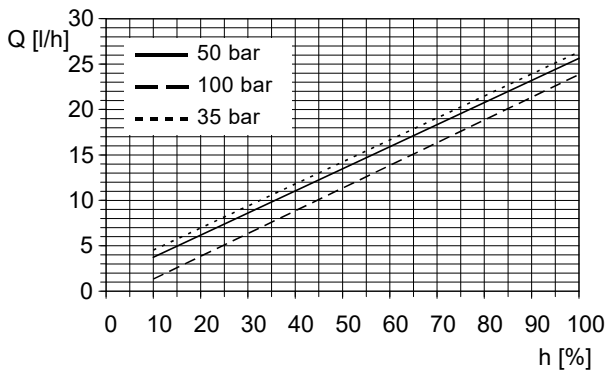


Fig. 22 DMH 19-100 (60 Hz), $Q_0 = 75$ bar

TM03 6813 4506

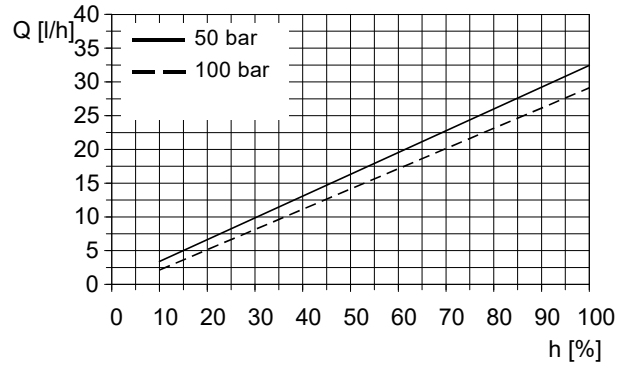


Fig. 23 DMH 27-100 (50 Hz), $Q_0 = 75$ bar

TM03 6814 4506

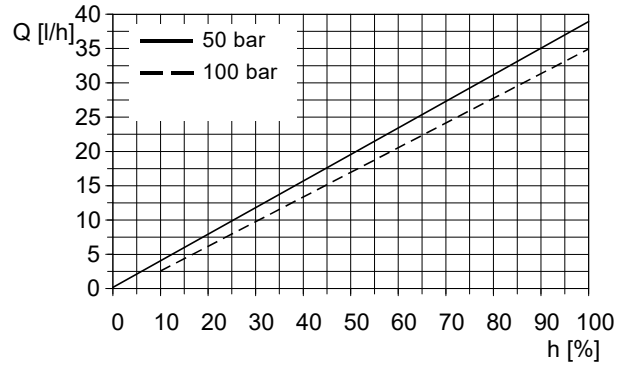


Fig. 24 DMH 27-100 (60 Hz), $Q_0 = 75$ bar

TM03 6815 4506

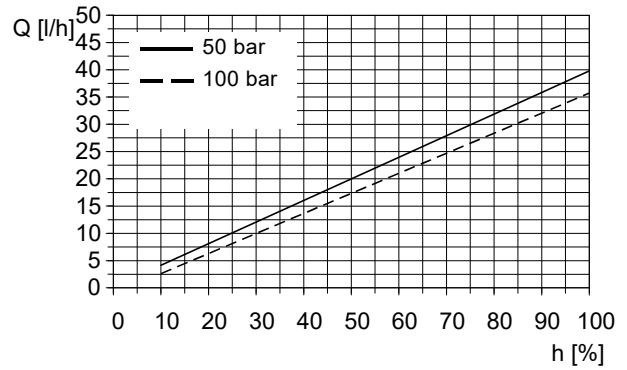


Fig. 25 DMH 33-100 (50 Hz), $Q_0 = 75$ bar

TM03 6816 4506

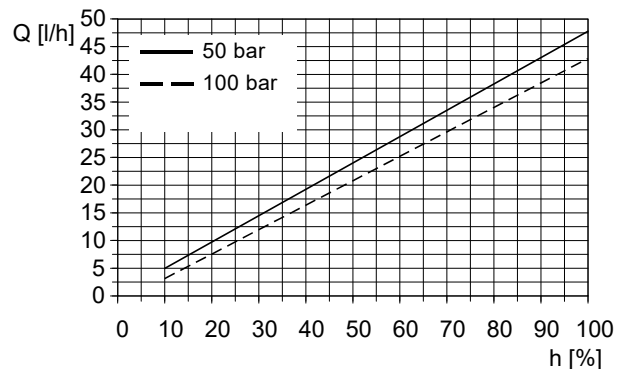


Fig. 26 DMH 33-100 (60 Hz), $Q_0 = 75$ bar

TM03 6817 4506

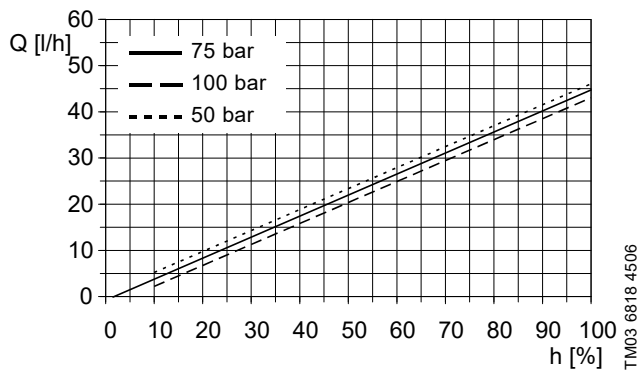


Fig. 27 DMH 40-100 (50 Hz), $Q_0 = 75$ bar

TM03 6818 4506

DMH 285

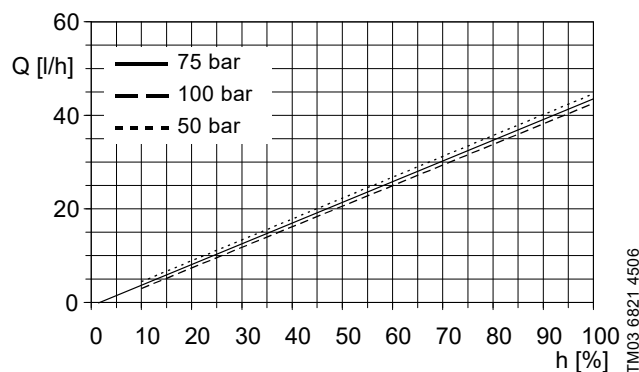


Fig. 30 DMH 40-100 (50 Hz), $Q_0 = 75$ bar

TM03 6821 4506

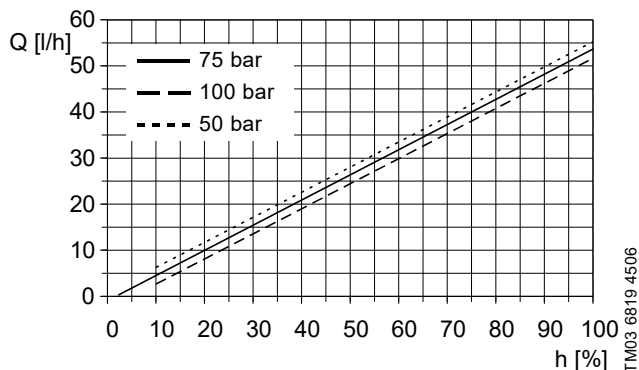


Fig. 28 DMH 40-100 (60 Hz), $Q_0 = 75$ bar

TM03 6819 4506

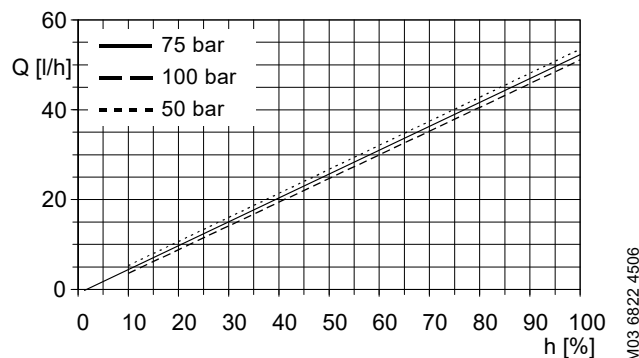


Fig. 31 DMH 40-100 (60 Hz), $Q_0 = 75$ bar

TM03 6822 4506

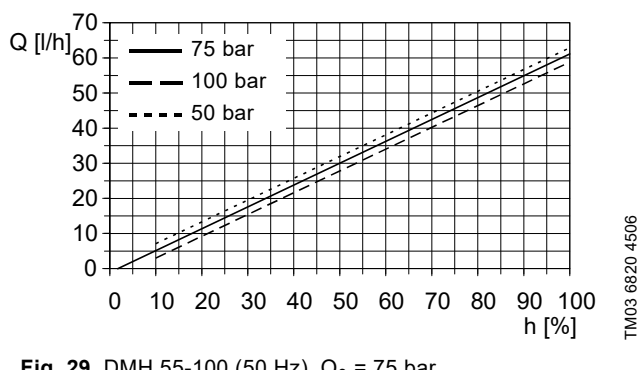


Fig. 29 DMH 55-100 (50 Hz), $Q_0 = 75$ bar

TM03 6820 4506

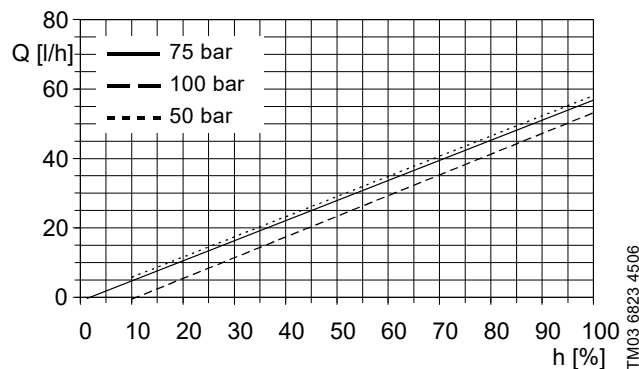


Fig. 32 DMH 52-100 (50 Hz), $Q_0 = 75$ bar

TM03 6823 4506

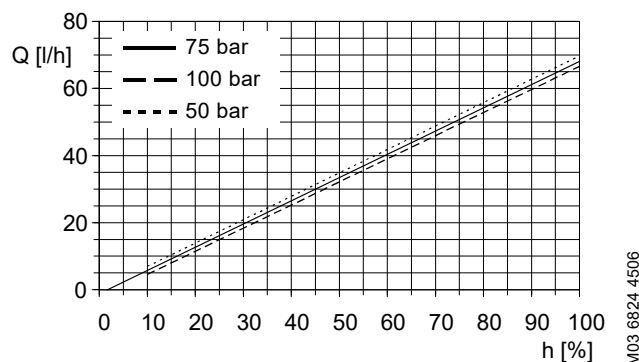


Fig. 33 DMH 52-100 (60 Hz), $Q_0 = 75$ bar

TM03 6824 4506

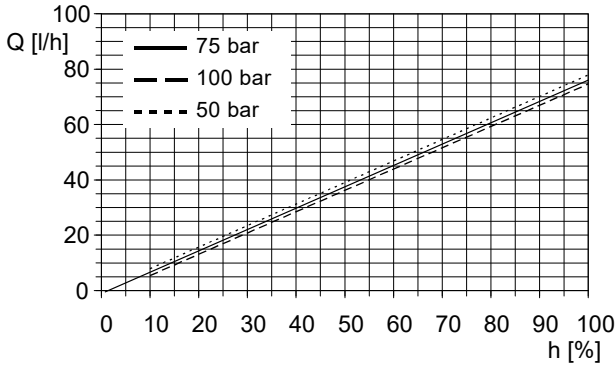


Fig. 34 DMH 70-100 (50 Hz), $Q_0 = 75$ bar

TM03 6825 4506

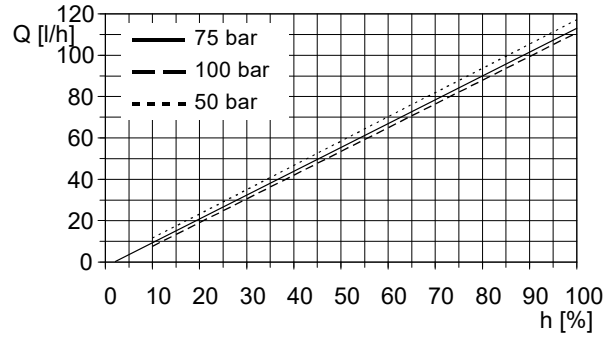


Fig. 38 DMH 105-100 (50 Hz), $Q_0 = 75$ bar

TM03 6829 4506

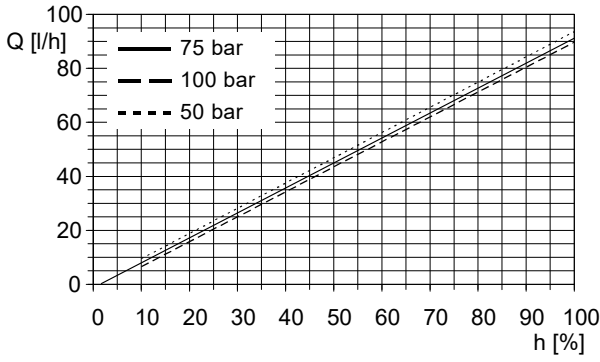


Fig. 35 DMH 70-100 (60 Hz), $Q_0 = 75$ bar

TM03 6826 4506

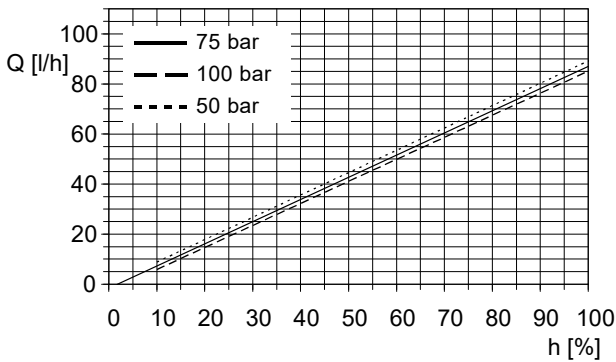


Fig. 36 DMH 80-100 (50 Hz), $Q_0 = 75$ bar

TM03 6827 4506

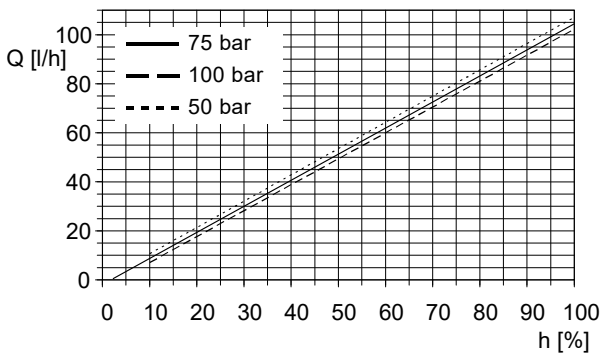


Fig. 37 DMH 80-100 (60 Hz), $Q_0 = 75$ bar

TM03 6828 4506

DMH 286

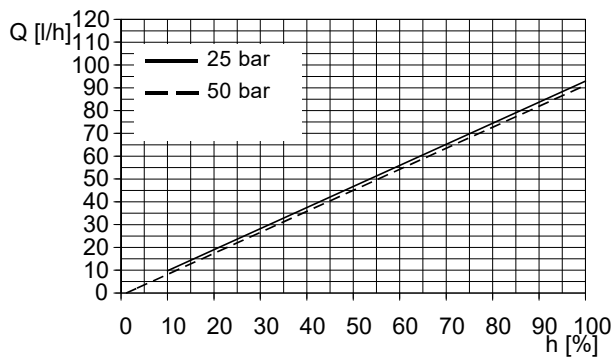


Fig. 39 DMH 85-50 (50 Hz), $Q_0 = 25$ bar

TM03 6873 4506

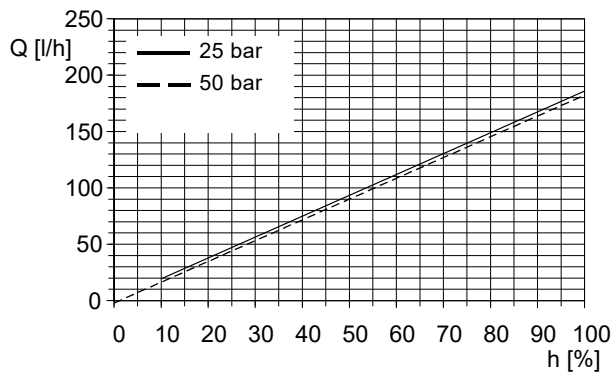


Fig. 43 DMH 170-50 (50 Hz), $Q_0 = 25$ bar

TM03 6830 4506

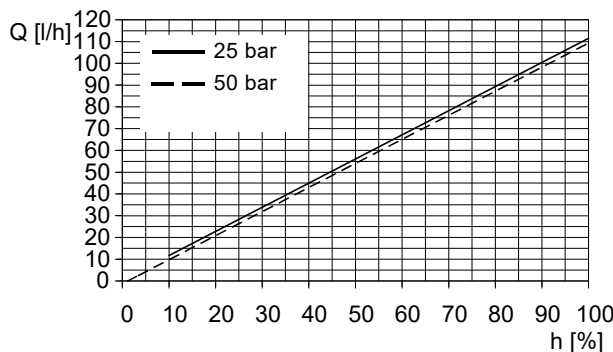


Fig. 40 DMH 85-50 (60 Hz), $Q_0 = 25$ bar

TM03 6874 4506

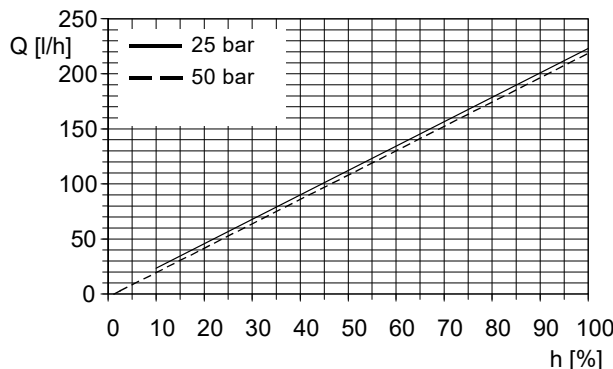


Fig. 44 DMH 170-50 (60 Hz), $Q_0 = 25$ bar

TM03 6831 4506

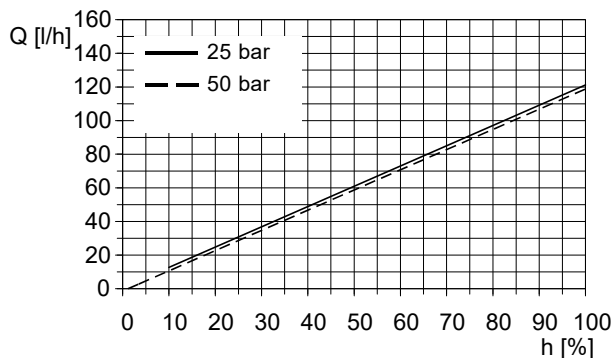


Fig. 41 DMH 111-50 (50 Hz), $Q_0 = 25$ bar

TM03 6875 4506

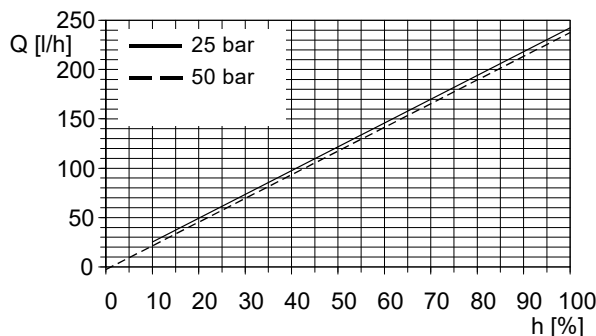


Fig. 45 DMH 222-50 (50 Hz), $Q_0 = 25$ bar

TM03 6832 4506

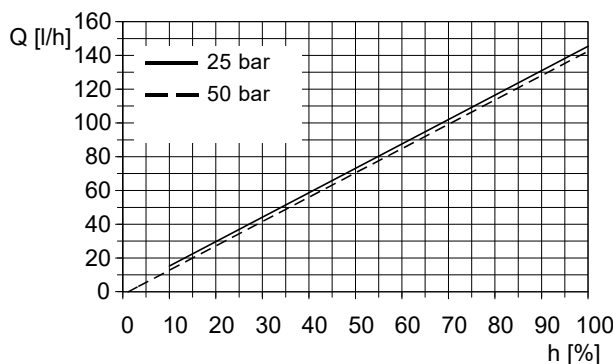


Fig. 42 DMH 111-50 (60 Hz), $Q_0 = 25$ bar

TM03 6876 4506

DMH 287

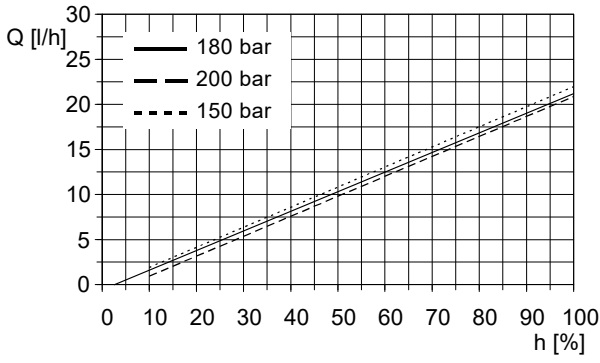


Fig. 46 DMH 18-200 (50 Hz), $Q_0 = 180$ bar

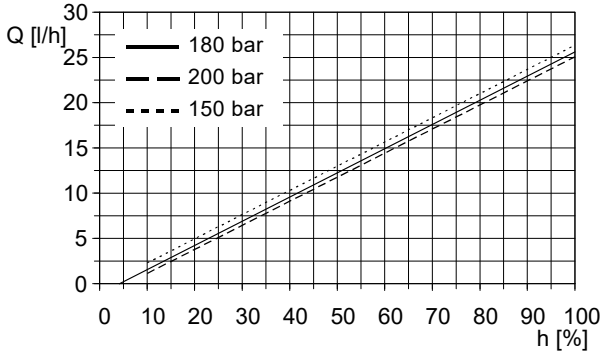


Fig. 47 DMH 18-200 (60 Hz), $Q_0 = 180$ bar

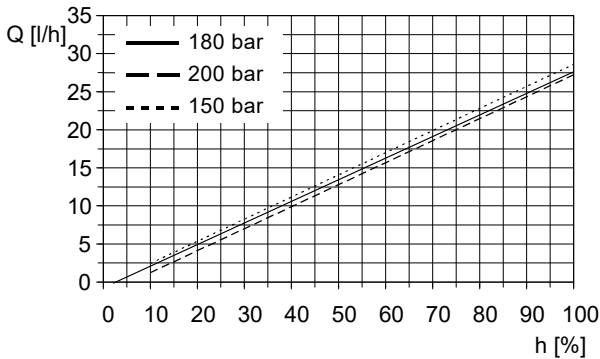


Fig. 48 DMH 23-200 (50 Hz), $Q_0 = 180$ bar

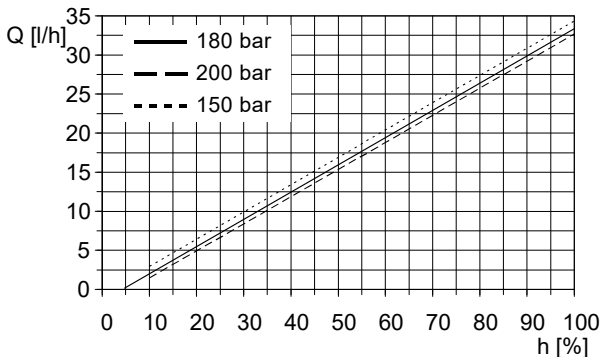


Fig. 49 DMH 23-200 (60 Hz), $Q_0 = 180$ bar

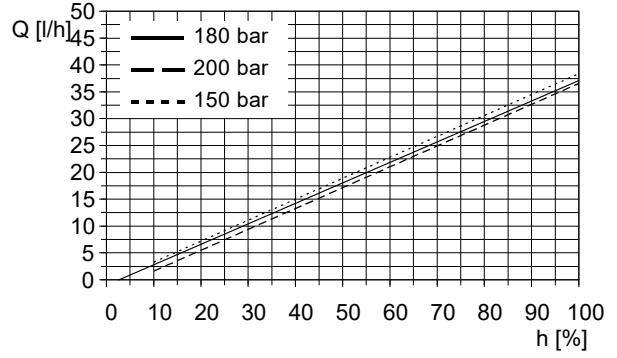


Fig. 50 DMH 31-200 (50 Hz), $Q_0 = 180$ bar

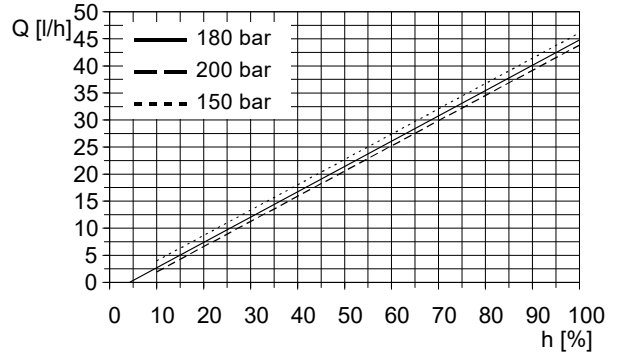


Fig. 51 DMH 31-200 (60 Hz), $Q_0 = 180$ bar

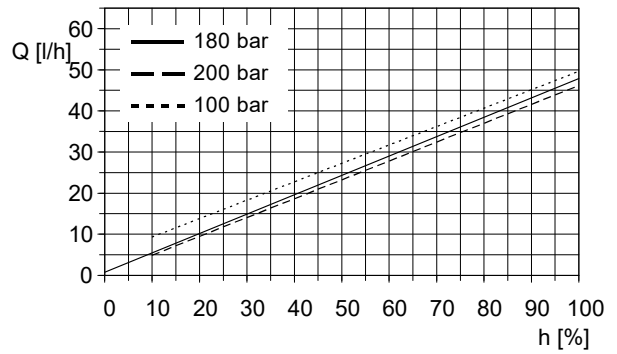


Fig. 52 DMH 36-200 (50 Hz), $Q_0 = 180$ bar

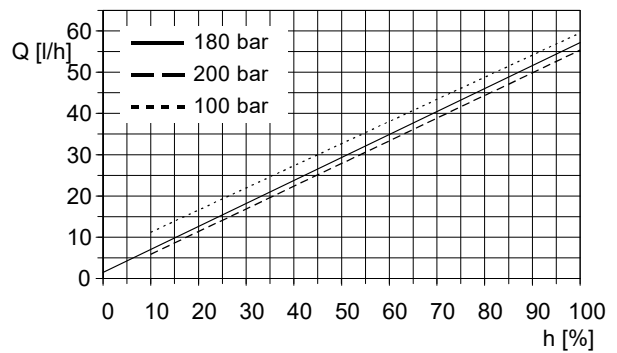
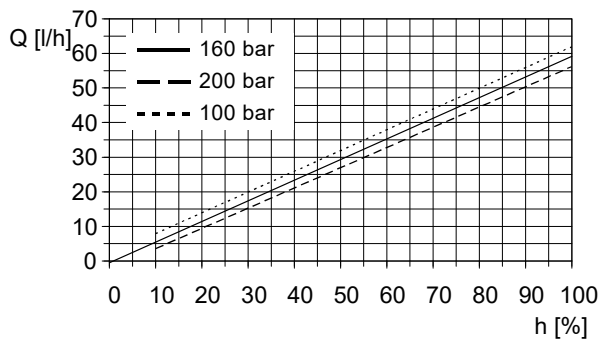


Fig. 53 DMH 36-200 (60 Hz), $Q_0 = 180$ bar



TM03 6643 4506

Fig. 54 DMH 50-200 (50 Hz), $Q_0 = 160$ bar

DMH 288

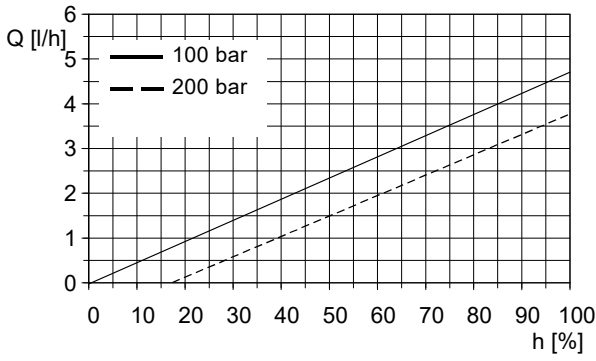


Fig. 55 DMH 3-200 (50 Hz), $Q_0 = 100$ bar

TM03 6844 4506

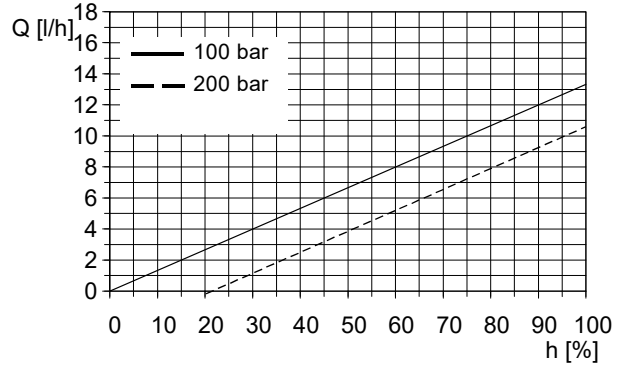


Fig. 59 DMH 10-200 (50 Hz), $Q_0 = 100$ bar

TM03 6848 4506

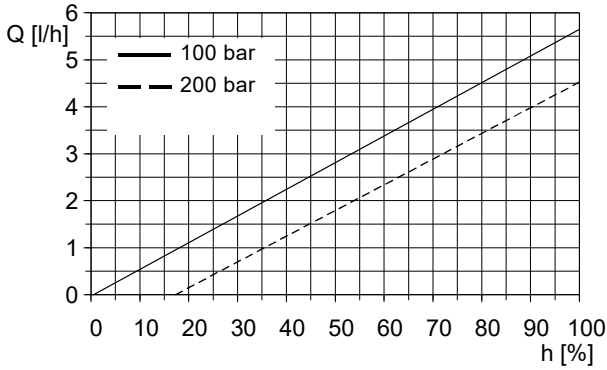


Fig. 56 DMH 3-200 (60 Hz), $Q_0 = 100$ bar

TM03 6845 4506

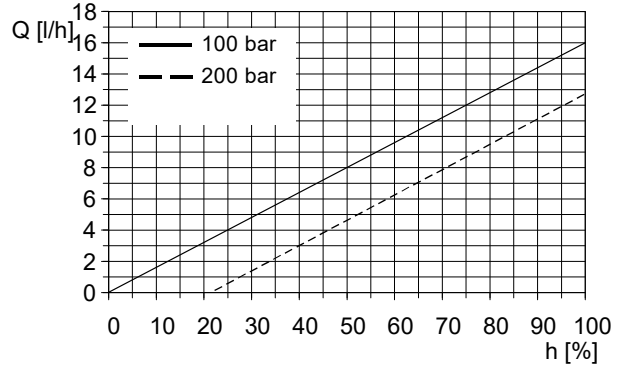


Fig. 60 DMH 10-200 (60 Hz), $Q_0 = 100$ bar

TM03 6849 4506

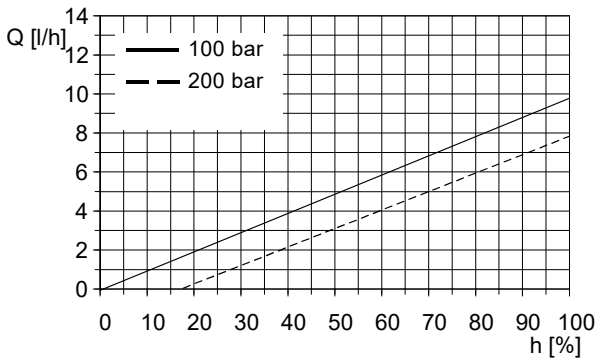


Fig. 57 DMH 7,5-200 (50 Hz), $Q_0 = 100$ bar

TM03 6846 4506

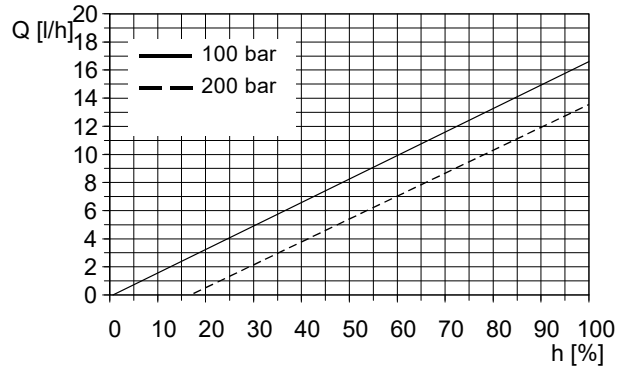


Fig. 61 DMH 13-200 (50 Hz), $Q_0 = 100$ bar

TM03 6850 4506

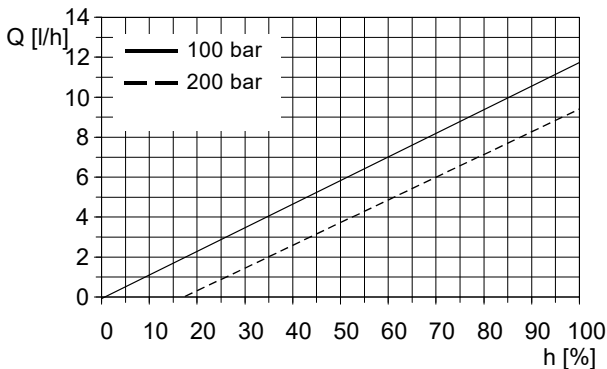


Fig. 58 DMH 7,5-200 (60 Hz), $Q_0 = 100$ bar

TM03 6847 4506

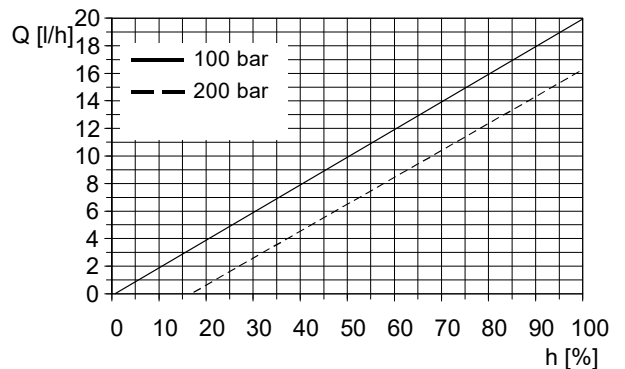


Fig. 62 DMH 13-200 (60 Hz), $Q_0 = 100$ bar

TM03 6851 4506

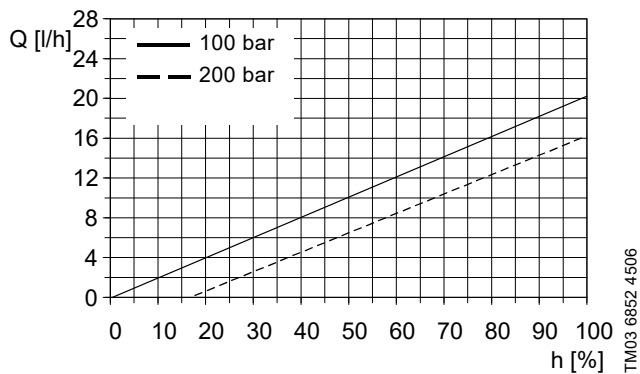


Fig. 63 DMH 15-200 (50 Hz), $Q_0 = 100$ bar

TM03 6852 4506

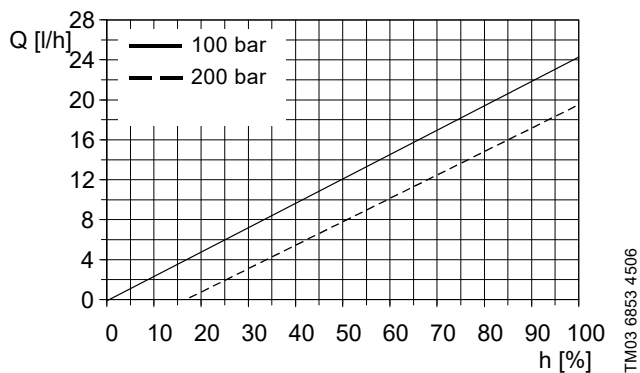


Fig. 64 DMH 15-200 (60 Hz), $Q_0 = 100$ bar

TM03 6853 4506

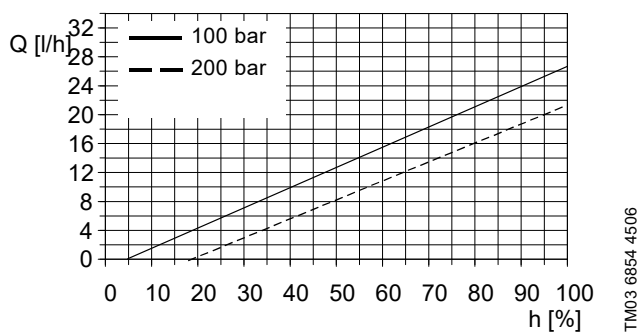


Fig. 65 DMH 21-200 (50 Hz), $Q_0 = 100$ bar

TM03 6854 4506

Safety declaration

Please copy, fill in and sign this sheet and attach it to the pump returned for service.

Note

Fill in this document using English or German language.

We hereby declare that this product is free from hazardous chemicals, biological and radioactive substances:

Product type: _____

Model number: _____

No media or water: _____

A chemical solution, name: _____

(see pump nameplate)

Fault description

Please make a circle around the damaged part.
In the case of an electrical or functional fault, please mark the cabinet.



Please give a short description of the fault:

Date and signature

Company stamp

Argentina

Bombas GRUNDFOS de Argentina S.A.
Ruta Panamericana km. 37.500 Centro
Industrial Garin
1619 - Garin Pcia. de B.A.
Phone: +54-3327 414 444
Telefax: +54-3327 45 3190

Australia

GRUNDFOS Pumps Pty. Ltd.
P.O. Box 2040
Regency Park
South Australia 5942
Phone: +61-8-8461-4611
Telefax: +61-8-8340 0155

Austria

GRUNDFOS Pumpen Vertrieb Ges.m.b.H.
Grundfosstraße 2
A-5082 Grödig/Salzburg
Tel.: +43-6246-883-0
Telefax: +43-6246-883-30

Belgium

N.V. GRUNDFOS Bellux S.A.
Boomsesteenweg 81-83
B-2630 Aartselaar
Tel.: +32-3-870 7300
Télécopie: +32-3-870 7301

Belarus

Представительство ГРУНДФОС в
Минске
220125, Минск
ул. Шафарнянская, 11, оф. 56, БЦ
"Порт"
Тел.: +7 (375 17) 286 39 72/73
Факс: +7 (375 17) 286 39 71
E-mail: mins@grundfos.com

Bosnia and Herzegovina

GRUNDFOS Sarajevo
Zmaj od Bosne 7-7A,
BH-71000 Sarajevo
Phone: +387 33 592 480
Telefax: +387 33 590 465
www.ba.grundfos.com
e-mail: grundfos@bih.net.ba

Brazil

BOMBAS GRUNDFOS DO BRASIL
Av. Humberto de Alencar Castelo Branco,
630
CEP 09850 - 300
São Bernardo do Campo - SP
Phone: +55-11 4393 5533
Telefax: +55-11 4343 5015

Bulgaria

Grundfos Bulgaria EOOD
Slatina District
Iztocna Tangenta street no. 100
BG - 1592 Sofia
Tel. +359 2 49 22 200
Fax. +359 2 49 22 201
email: bulgaria@grundfos.bg

Canada

GRUNDFOS Canada Inc.
2941 Brighton Road
Oakville, Ontario
L6H 6C9
Phone: +1-905 829 9533
Telefax: +1-905 829 9512

China

**Grundfos Alldos
Dosing & Disinfection**
ALLDOS (Shanghai) Water Technology
Co. Ltd.
West Unit, 1 Floor, No. 2 Building (T 4-2)
278 Jinhua Road, Jin Qiao Export
Processing Zone
Pudong New Area
Shanghai, 201206
Phone: +86 21 5055 1012
Telefax: +86 21 5032 0596
E-mail: grundfosalldos-CN@grundfos.com

China

GRUNDFOS Pumps (Shanghai) Co. Ltd.
10F The Hub, No. 33 Suhong Road
Minhang District
Shanghai 201106
PRC
Phone: +86-21 6122 5222
Telefax: +86-21 6122 5333

COLOMBIA

GRUNDFOS Colombia S.A.S.
Km 1.5 vía Siberia-Cota Conj. Potrero
Chico,
Parque Empresarial Arcos de Cota Bod.
1A,
Cota, Cundinamarca
Phone: +57(1)-2913444
Telefax: +57(1)-8764586

Croatia

GRUNDFOS CROATIA d.o.o.
Buzinski prilaz 38, Buzin
HR-10010 Zagreb
Phone: +385 1 6595 400
Telefax: +385 1 6595 499
www.hr.grundfos.com

GRUNDFOS Sales Czechia and

Slovakia s.r.o.
Čapkovského 21
779 00 Olomouc
Phone: +420-585-716 111

Denmark

GRUNDFOS DK A/S
Martin Bachs Vej 3
DK-8850 Bjerringbro
Tlf.: +45-87 50 50 50
Telefax: +45-87 50 51 51
E-mail: info_GDK@grundfos.com
www.grundfos.com/DK

Estonia

GRUNDFOS Pumps Eesti OÜ
Peterburi tee 92G
11415 Tallinn
Tel: + 372 606 1690
Fax: + 372 606 1691

Finland

OY GRUNDFOS Pumput AB
Trukkikuja 1
FI-01360 Vantaa
Phone: +358-(0)207 889 500

France

Pompes GRUNDFOS Distribution S.A.
Parc d'Activités de Chesnes
57, rue de Malacombe
F-38290 St. Quentin Fallavier (Lyon)
Tél.: +33-4 74 82 15 15
Télécopie: +33-4 74 94 10 51

Germany

GRUNDFOS Water Treatment GmbH
Reetzstraße 85
D-76327 Pflintal (Söllingen)
Tel.: +49 7240 61-0
Telefax: +49 7240 61-177
E-mail: gwt@grundfos.com

Germany

GRUNDFOS GMBH
Schlüterstr. 33
40699 Erkrath
Tel.: +49-(0) 211 929 69-0
Telefax: +49-(0) 211 929 69-3799
E-mail: infoservice@grundfos.de
Service in Deutschland:
E-mail: kundendienst@grundfos.de

Greece

GRUNDFOS Hellas A.E.B.E.
20th km. Athinon-Markopoulou Av.
P.O. Box 71
GR-19002 Peania
Phone: +0030-210-66 83 400
Telefax: +0030-210-66 46 273

Hong Kong

GRUNDFOS Pumps (Hong Kong) Ltd.
Unit 1, Ground floor
Siu Wai Industrial Centre
29-33 Wing Hong Street &
68 King Lam Street, Cheung Sha Wan
Kowloon
Phone: +852-27861706 / 27861741
Telefax: +852-27858664

Hungary

GRUNDFOS Hungária Kft.
Tópark u. 8
H-2045 Törökbálint,
Phone: +36-23 511 110
Telefax: +36-23 511 111

India

GRUNDFOS Pumps India Private Limited
118 Old Mahabalipuram Road
Thoraiakkam
Chennai 600 097
Phone: +91-44 4596 6800

Indonesia

PT. GRUNDFOS POMPA
Graha Intirub Lt. 2 & 3
Jln. Cililitan Besar No.454. Makasar,
Jakarta Timur
ID-Jakarta 13650
Phone: +62 21-469-51900
Telefax: +62 21-460 6910 / 460 6901

Ireland

GRUNDFOS (Ireland) Ltd.
Unit A, Merrywell Business Park
Ballymount Road Lower
Dublin 12
Phone: +353-1-4089 800
Telefax: +353-1-4089 830

Italy

GRUNDFOS Pompe Italia S.r.l.
Via Gran Sasso 4
I-20060 Truccazzano (Milano)
Tel.: +39-02-95838112
Telefax: +39-02-95309290 / 95838461

Japan

GRUNDFOS Pumps K.K.
1-2-3, Shin-Miyakoda, Kita-ku
Hamamatsu
431-2103 Japan
Phone: +81 53 428 4760
Telefax: +81 53 428 5005

Korea

GRUNDFOS Pumps Korea Ltd.
6th Floor, Aju Building 679-5
Yeoksam-dong, Kangnam-ku, 135-916
Seoul, Korea
Phone: +82-2-5317 600
Telefax: +82-2-5633 725

Latvia

SIA GRUNDFOS Pumps Latvia
Deglava biznesa centrs
Augusta Deglava ielā 60, LV-1035, Rīga,
Tālr.: + 371 714 9640, 7 149 641
Fakss: + 371 914 9646

Lithuania

GRUNDFOS Pumps UAB
Smolensko g. 6
LT-03201 Vilnius
Tel: + 370 52 395 430
Fax: + 370 52 395 431

Malaysia

GRUNDFOS Pumps Sdn. Bhd.
7 Jalan Peguam U1/25
Glenmarie Industrial Park
40150 Shah Alam
Selangor
Phone: +60-3-5569 2922
Telefax: +60-3-5569 2866

Mexico

Bombas GRUNDFOS de México S.A. de
C.V.
Boulevard TLC No. 15
Parque Industrial Stiva Aeropuerto
Apodaca, N.L. 66600
Phone: +52-81-8144 4000
Telefax: +52-81-8144 4010

Netherlands

GRUNDFOS Netherlands
Veluwezoom 35
1326 AE Almere
Postbus 22015
1302 CA ALMERE
Tel.: +31-88-478 6336
Telefax: +31-88-478 6332
E-mail: info_gnl@grundfos.com

New Zealand

GRUNDFOS Pumps NZ Ltd.
17 Beatrice Tinsley Crescent
North Harbour Industrial Estate
Albany, Auckland
Phone: +64-9-415 3240
Telefax: +64-9-415 3250

Norway

GRUNDFOS Pumper A/S
Strømsveien 344
Postboks 235, Leirdal
N-1011 Oslo
Tlf.: +47-22 90 47 00
Telefax: +47-22 32 21 50

Poland

GRUNDFOS Pompy Sp. z o.o.
ul. Klonowa 23
Baranowo k. Poznania
PL-62-081 Przeźmierowo
Tel: (+48-61) 650 13 00
Fax: (+48-61) 650 13 50

Portugal

Bombas GRUNDFOS Portugal, S.A.
Rua Calvet de Magalhães, 241
Apartado 1079
P-2770-153 Paço de Arcos
Tel.: +351-21-440 76 00
Telefax: +351-21-440 76 90

Romania

GRUNDFOS Pompe România SRL
Bd. Biruintei, nr 103
Pantelimon county Ilfov
Phone: +40 21 200 4100
Telefax: +40 21 200 4101
E-mail: romania@grundfos.ro

Russia

ООО Грундфос Россия
ул. Школьная, 39-41
Москва, RU-109544, Russia
Тел. (+7) 495 564-88-00 (495) 737-30-00
Факс (+7) 495 564 8811
E-mail grundfos.moscow@grundfos.com

Serbia

Grundfos Srbija d.o.o.
Omladinskih brigada 90b
11070 Novi Beograd
Phone: +381 11 2258 740
Telefax: +381 11 2281 769
www.rs.grundfos.com

Singapore

GRUNDFOS (Singapore) Pte. Ltd.
25 Jalan Tukang
Singapore 619264
Phone: +65-6681 9688
Telefax: +65-6681 9689

Slovakia

GRUNDFOS s.r.o.
Prievozská 4D
821 09 BRATISLAVA
Phona: +421 2 5020 1426
sk.grundfos.com

Slovenia

GRUNDFOS LJUBLJANA, d.o.o.
Leskoškova 9e, 1122 Ljubljana
Phone: +386 (0) 1 568 06 10
Telefax: +386 (0)1 568 0619
E-mail: tehnika-si@grundfos.com

South Africa

Grundfos (PTY) Ltd.
16 Lascelles Drive, Meadowbrook Estate
1609 Germiston, Johannesburg
Tel.: (+27) 10 248 6000
Fax: (+27) 10 248 6002
E-mail: lgradidge@grundfos.com

Spain

Bombas GRUNDFOS España S.A.
Camino de la Fuenteclilla, s/n
E-28110 Algete (Madrid)
Tel.: +34-91-848 8800
Telefax: +34-91-628 0465

Sweden

GRUNDFOS AB
Box 333 (Lunnagårdsgatan 6)
431 24 Mölndal
Tel.: +46 31 332 23 000
Telefax: +46 31 331 94 60

Switzerland

GRUNDFOS Pumpen AG
Bruggacherstrasse 10
CH-8117 Fällanden/ZH
Tel.: +41-44-806 8111
Telefax: +41-44-806 8115

Taiwan

GRUNDFOS Pumps (Taiwan) Ltd.
7 Floor, 219 Min-Chuan Road
Taichung, Taiwan, R.O.C.
Phone: +886-4-2305 0868
Telefax: +886-4-2305 0878

Thailand

GRUNDFOS (Thailand) Ltd.
92 Chaloem Phrakiat Rama 9 Road,
Dokmai, Pravej, Bangkok 10250
Phone: +66-2-725 8999
Telefax: +66-2-725 8998

Turkey

GRUNDFOS POMPA San. ve Tic. Ltd. Sti.
Gezbe Organize Sanayi Bölgesi
İhsan dede Caddesi,
2. yol 200. Sokak No. 204
41490 Gebze/ Kocaeli
Phone: +90 - 262-679 7979
Telefax: +90 - 262-679 7905
E-mail: satis@grundfos.com

Ukraine

Бізнес Центр Європа
Столичне шосе, 103
м. Київ, 03131, Україна
Телефон: (+38 044) 237 04 00
Факс: (+38 044) 237 04 01
E-mail: ukraine@grundfos.com

United Arab Emirates

GRUNDFOS Gulf Distribution
P.O. Box 16768
Jebel Ali Free Zone
Dubai
Phone: +971-4- 8815 166
Telefax: +971-4-8815 136

United Kingdom

GRUNDFOS Pumps Ltd.
Grovebury Road
Leighton Buzzard/Beds. LU7 4TL
Phone: +44-1525-850000
Telefax: +44-1525-850011

U.S.A.

GRUNDFOS Pumps Corporation
9300 Loiret Blvd.
Lenexa, Kansas 66219
Phone: +1-913-227-3400
Telefax: +1-913-227-3500

Uzbekistan

Grundfos Tashkent, Uzbekistan The
Representative Office of Grundfos
Kazakhstan in Uzbekistan
38a, Oybek street, Tashkent
Телефон: (+998) 71 150 3290 / 71 150
3291
Факс: (+998) 71 150 3292

Addresses revised 15.01.2019

99558950 0819

ECM: 1250494

Trademarks displayed in this material, including but not limited to Grundfos, the Grundfos logo and "be think innovate" are registered trademarks owned by The Grundfos Group. All rights reserved. © 2019 Grundfos Holding A/S, all rights reserved.