

C O N T E N T S

01	DOSING PUMPS	05	05	AUXILIARY EQUIPMENTS	63
■	Electromagnetic Dosing Pumps	06	■	Information Display Screen Panels	64
	Nova Series	06	■	Connecting Parts	66
	LARA Series	12	■	Patch Cables	67
	NANO Series	20	■	Electrode Housing	68
■	Electromechanical Diaphragm Dosing Pumps	20	■	Probe Holders	69
	EMD P Series	20			
	EMD M Series	22	06	MIXERS & CHEMICAL TANKS	71
■	Peristaltic Dosing Pumps	26	■	Mixers	71
	Aspendose Series	26		Fast Mixers	72
	Aspendose Series	28		Slow Mixers	73
			■	Chemical Tanks.....	74
02	MEASUREMENT AND CONTROLLING DEVICES	31	07	WATER METERS	77
■	Omnicon	32	08	BLOWERS	81
■	Poolsaver Tetra	36	09	PORTABLE DEVICES AND TEST KITS	85
■	Aquameter	37	■	Single Parameter Portable Devices	86
			■	Multi Parameter Portable Devices	89
03	SYSTEM	39		Test Kits	94
■	Pool Controlling Systems.....	40	10	SPARE PARTS	97
■	Multi-Parameter Measurement Controlling Devices	43	11	TECHNICAL DOCUMENTS	103
■	Drinking Water Controlling Devices	45			
■	Single-Parameter Controlling Devices	46			
■	Cooling Tower Water and Boiler Water Controlling Devices	50			
04	SENSORS & CALIBRATION SOLUTIONS	53			
■	Sensors	53			
	pH Sensors	54			
	ORP Sensors.....	55			
	Conductivity Sensors	56			
	Ion Selective Sensors	57			
	Amperometric Free Chlorine Cell	58			
	Dissolved Oxygen Sensor	58			
	Temperature Sensors	59			
■	Calibration Solutions	60			



DESIGN PUMPS



ELECTROMAGNETIC DOSING PUMPS

01 NOVA A

Analog Liquid Level Controlled & 1/10 Adjustable Dosing Pump

- Adjustable stroke rate via the potentiometer. (Image 1)
- 95- 260 VAC working range and solenoid driven technology that can do automatic adaptation accordingly to line voltage.
- Low energy consumption.
- Easy and flexible installation and usage by the vertical mount design and alternative mounting advantage by base fixing bracket. (Image 2)
- High resistance to corrosive chemicals with the PVDF Pump Head and entire IP65 body.
- Electronic circuit controlled electromagnet and long lasting Teflon (PTFE) diaphragm.
- Lesser Maintenance by ceramic ball design
- Suction and injection parts included
- Easy disassemble cable socket
- Double Liquid Level Control input
- 1/10 Adjustment button (Image 3)



Stock Code	Model	L/h	Max. Counter Pressure/Bar	Package Sizes/cm W-L-H	Packed Weight/Kg
306110010302000	DP NOVA A 10L/10B VACFAT	10	10	23 x 32 x 23	4,10
306103520302000	DP NOVA A 3,5L/20B VACFAT	3,5	20		
306125005302000	DP NOVA A 25L/5B VACFAT	25	5		



Image 1



Image 2



Image 3



Suction Kit /Included



Stock Code : 600110800531000
Stock Name : SUCTION KIT 9X12 P5

Injection Kit/Included



Stock Code : 600110700343000
Stock Name : INJECTION KIT 9X12 P

Pipe Kit/Included



Stock Code : 600110500120000/600110400700000
Stock Name : PIPE KIT V 9x12 / MOUNTING KIT DP NOVA

Base Fixing Bracket/Included



Stock Code : 500010079100010
Stock Name : Base Fixing Bracket DP NOVA

ELECTROMAGNETIC DOSING PUMPS

NOVA D

Digital Liquid Level, Flow Controlled Volumetric Dosing Pump

- LCD screen and user friendly button technology, rapid shortcut for air intake mode. (Image 1)
- 95- 260 VAC working range and solenoid driven technology that can do automatic adaptation accordingly to voltage.
- Less maintenance by Zirconium Ball and Long-Life Teflon (PTFE) diaphragm.
- Manual or Real time operating choice.
- Operating with signal ratio and signal input with water meter and flow meters.,
- Controlled operation with analog input 4-20 mA/ 20-4 mA/ 0-20 mA/ 20-0 mA (Image 2)
- Able to work with volumetric ppm operating system,
- Able to work with periodic operating system and trigger operating system
- Capacity unit options (L / h - Hit / Minute - Beat / Hour -%)
- Chemical and water level sensor inputs and flow sensor input (Image 3)
- Capacity calibration, Operation limiting function, Knock feedback adjustment
- ModBus RTU (RS485) communication input, Alarm notification and alarm output,
- Password Protection, PT100 sensor input



Stock Code	Model	L/h	Max. Counter Pressure/Bar	Package Sizes/cm W-L-H	Packed Weight/Kg
306210010302000	DP NOVA D 10L/10B VACFAT	10	10	23 x 32 x 23	4,10
306203520302000	DP NOVA D 3,5L/20B VACFAT	3,5	20		
306225005302000	DP NOVA D 25L/5B VACFAT	25	5		

* Modbus RTU (RS485) is optional, not included in the price. For pricing information see page 10



Image 1



Image 2



Image 3



Suction Kit - Injection Kit/Included



Stock Code : 600110800531000/600110700343000
Stock Name: SUCTION KIT 9X12 P5/INJECTION KIT 9X12 P

Pipe Kit/Included



Stock Code : 600110500120000/600110400700000
Stock Name: PIPE KIT V 9x12 / MOUNTING KIT DP NOVA

Base Fixing Bracket/Included



Stock Code : 500010079100010
Stock Name: Base Fixing Bracket DP NOVA

DP NOVA Connection Kit/Optional. Not included in the price



Stock Code : 6101030500000002
Stock Name: CABLE SET SIGNAL EXTERNAL DP NOVA

ELECTROMAGNETIC DOSING PUMPS

01 NOVA DMPR

Digital ORP / PH & Liquid Level, Flow Controlled Dosing Pump

- LCD screen and user friendly button technology, rapid shortcut for air intake mode. (Image 1)
- 95- 260 VAC working range and solenoid driven technology that can do automatic adaptation accordingly to voltage.
- Less maintenance by Zirconium Ball and Long-Life Teflon (PTFE) diaphragm.
- Proportional working by Ph or Orp measurement (Image 1), Sensor calibration
- Traceability of measured values with 4-20 mA output. (Image 2)
- Manuel or real timed operation
- Signal input and signal proportional operation with water meters and flowmeters
- Controlled operation with analog input 4-20 mA/ 20-4 mA/ 0-20 mA/ 20-0 mA Able to work with volumetric ppm operating system,
- Able to work with periodic operating system and trigger operating system
- Chemical and water level sensor inputs and flow sensor input, PT100 sensor input
- Capacity calibration, Operation limiting function, Knock feedback adjustment
- Alarm notification and alarm output, ModBus RTU (RS485) communication input (Image 3)



Stock Code	Model	L/h	Max. Counter Pressure/Bar	Package Sizes/cm W-L-H	Packed Weight/Kg
306310010302000	DP NOVA DMPR 10L/10B VACFAT	10	10	23 x 32 x 23	4,10
306303520302000	DP NOVA DMPR 3,5L/20B VACFAT	3,5	20		
306325005302000	DP NOVA DMPR 25L/5B VACFAT	25	5		

* Modbus RTU (RS485) is optional, not included in the price. For pricing information see page 10



Image 1



Image 2



Image 3



Suction Kit - Injection Kit/Included



Pipe Kit/Included



Base Fixing Bracket/Included



DP NOVA Connection Kit/Optional. Not included in the price



ELECTROMAGNETIC DOSING PUMPS

NOVA DMIA

Digital FCL / Selective Sensor & Liquid Level, Flow Controlled Dosing Pump

- LCD screen and user friendly button technology, rapid shortcut for air intake mode. Password production
- 95- 260 VAC working range and solenoid driven technology that can do automatic adaptation accordingly to voltage.
- Less maintenance by Zirconium Ball and Long-Life Teflon (PTFE) diaphragm.
- Proportional working according to Ampermetric Free Chlorine measurement.(Image 1), Sensor calibration
- Proportional working based on Free Chlorine, Chlorine Dioxide, Hydrogen Peroxide, Peracetic Acid sensors
- Traceability of measured values with 4-20 mA output.
- Manuel or real timed operation
- Signal input and signal proportional operation with water meters and flowmeters
- Controlled operation with analog input 4-20 mA/ 20-4 mA/ 0-20 mA/ 20-0 mA able to work
- Volumetric ppm operating system.
- Able to work with periodic operating system and trigger operating system
- Chemical and water level sensor inputs and flow sensor input, (Image 2) PT100 sensor input
- Capacity calibration, Operation limiting function. Stroke feedback adjustment
- Alarm notification and alarm output, ModBus RTU (RS485) communication input (Image 3)



Stock Code	Model	L/h	Max. Counter Pressure/Bar	Package Sizes/cm W-L-H	Packed Weight/Kg
306410010302000	DP NOVA DMIA 10L/10B VACFAT	10	10	23 x 32 x 23	4,10
306403520302000	DP NOVA DMIA 3,5L/20B VACFAT	3,5	20		
306425005302000	DP NOVA DMIA 25L/5B VACFAT	25	5		

* Modbus RTU (RS485) is optional, not included in the price. For pricing information see page 10



Image 1



Image 2



Image 3



Suction Kit - Injection Kit/Included



Pipe Kit/Included



Base Fixing Bracket/Included



DP NOVA Connection Kit/Optional. Not included in the price



ELECTROMAGNETIC DOSING PUMPS

01 AUXILIARY EQUIPMENT FOR NOVA SERIES

Stock Code	Model	Image and Description
70442100000014	STN ELECTRODE FCL/O 5 PPM SELECTIVE	 0-5 PPM Selective Free Chlorine Sensor
70442100000013	STN ELEKTRODE FCL/O 2 PPM SELECTIVE	 0-2 PPM Selective Free Chlorine Sensor
70442100000016	STN ELEKTRODE ClO ₂ /O 10 PPM SELECTIVE	 0-10 PPM Selective Chlorine Dioxide Sensor
70442100000018	STN ELEKTRODE H ₂ O ₂ /O 500 PPM SELECTIVE	 0-500 PPM Selective Hydrogen peroxide sensor
510011087010000	ELECTRONIC BOARD MODUL DP NOVA COMM V1.0	 MODBUS RTU (RS485) Communication Extension Module for NOVA D / DMPR / DMIA
610103050000002	CABLE SET SIGNAL EXTERNAL DP NOVA	 External plug cable kit for selective sensors and other digital inputs.
600510010111000	YP CELL AMPERMETRIC FREE CHLORINE	 0-10 PPM Amperometric Free Chlorine Sensor (Cu-Pt)
600112410030000	FLOW CELL SELECTIVE	 Selective Electrode input flow cell
600110400500000	MOUNTING SET FLOW CELL	 Flow cell mounting set parts
600112410050000	ELECTRODE HOUSING SET SINGLE SYSTEM SELECTIVE	 Selective electrode input, Dirt holder pre-filter, sample taking valve
600110400100000	MOUNTING SET SYSTEM	 Mounting parts for housing of Selective Electrode input, dirt holder pre-filter- with sample taking valve

The sensors and holders in the table above valid for the Nova DMIA series.

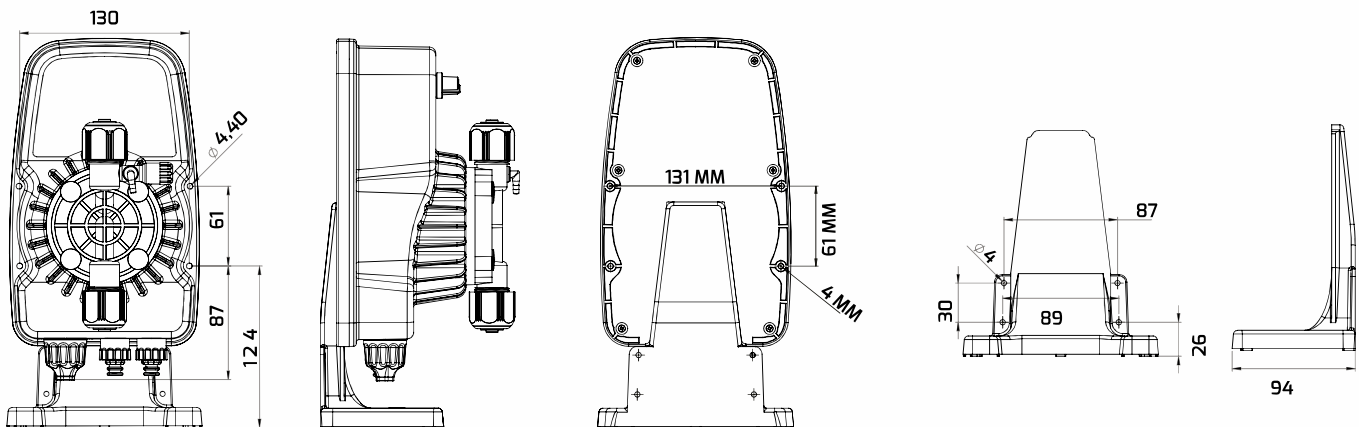
For Nova DMPR, holder electrode sets on page 17 can be used.

Please contact us for more sensor and holder selection for different processes.

ELECTROMAGNETIC DOSING PUMPS

NOVA Series Technical Specs

Model		Max./Lt	Max./P	Stroke/min	ml/Stroke	Supply voltage	Watt	Weight	Body	Max. Ambient Temperature	Max. Chemical Temperature
		Lt / h	Bar	strok	ml	Volt	W	kg	IP	°C	°C
A	10L/10B	10	10	300	0,556	95-260V AC 50-60 HZ	27	4,1	65	0-45	0-40
D	3,5L/20B	3,5	20	150	0,389						
DMPR	25L/5B	25	5	300	1,389						
DMIA											



NOVA Series Dosing Pump Used Parts and Materials

Pump Head		PVDF
Pump Body		PP
Check valves	Suction Set	PVDF, Zirconium Ball, Viton-EPDM* Oring
	Injection Set	PVDF, Zirconium Ball, Viton-EPDM* Oring
	Pump Head Set	PVDF, Zirconium Ball, Viton-EPDM* Oring
Diaphragm		PTFE
Glands		PVDF
O-Rings		Viton-EPDM*
Suction Pipe		PVC/PE*
Injection Pipe		PE
Ventilating Pipe		PVC/PE*

*May vary by model

ELECTROMAGNETIC DOSING PUMPS

01 LARA A

Analog Dosing Pumps

- Adjustable stroke rate via the potentiometer on the device (Image 1)
- On/Off Button (Image 2)
- Easy and flexible installation and usage by the vertical mount design
- High resistance to corrosive chemicals with the PVDF Pump Head and entire IP65 body (Image 3)
- Electronic circuit controlled electromagnet and long lasting Teflon (PTFE) diaphragm
- Lesser Maintenance by ceramic ball design
- Suction and injection parts included



Stock Code	Model	L/h	Max. Counter Pressure/Bar	Package Sizes/cm W-L-H	Packed Weight/Kg
301102010101000	DP LARA A 2L/10B V220FAT	2	10	23 x 28 x 21	2,95
301105007101000	DP LARA A 5L/7B V220FAT	5	7		
301110005101000	DP LARA A 10L/5B V220FAT	10	5		
301102020101000	DP LARA A 2L/20B V220FAT	2	20		



Image 1



Image 2



Image 3



Suction Kit /Included



Stock Code : 600110800110000
Stock Name: SUCTION KIT 4X6 V

Injection Kit/Included



Stock Code : 600110700311000
Stock Name: INJECTION KIT 4X6 V

Pipe Kit/Included



Stock Code : 600110500100000/600110400200000
Stock Name: PIPE KIT V/MOUNTING KIT DP

PVDF Suction and Injection Kit*



Stock Code : 600110800130000/600110700313000
Stock Name: SUCTION KIT 4X6 P / INJECTION KIT 4X6 P

*Please notify us during the order if PVDF Kit model requested.

ELECTROMAGNETIC DOSING PUMPS

LARA APS

Analog Liquid Level Controlled & 1/10 Adjustable Dosing Pump

- Adjustable stroke rate via the potentiometer on the device (Image 1)
- Liquid level control (Image 2) and 1/10 adjustment button (Image 3)
- Easy and flexible installation and usage by the vertical mount design
- High resistance to corrosive chemicals with the PVDF Pump Head and entire IP65 body (Image 3)
- Electronic circuit controlled electromagnet and long lasting Teflon (PTFE) diaphragm
- Lesser Maintenance by ceramic ball design
- Suction and injection parts included



Stock Code	Model	L/h	Max. Counter Pressure/Bar	Package Sizes/cm W-L-H	Packed Weight/Kg
301302010101000	DP LARA APS 2L/10B V220FAT	2	10	23 x 28 x 21	3,00
301305007101000	DP LARA APS 5L/7B V220FAT	5	7		
301310005101000	DP LARA APS 10L/5B V220FAT	10	5		
301302020101000	DP LARA APS 2L/20B V220FAT	2	20		

- Liquid Level Sensor is included to prices.



Image 1



Image 2



Image 3



Suction Kit with Liquid Level Sensor/Included



Stock Code : 600110800110000
Stock Name: SUCTION KIT 4X6 V

Injection Kit/Included



Stock Code : 600110700311000
Stock Name: INJECTION KIT 4X6 V

Pipe Kit/Included



Stock Code : 600110500100000/600110400200000
Stock Name: PIPE KIT V/MOUNTING KIT DP

PVDF Suction and Injection Kit*



Stock Code : 600110800131000/600110700313000
Stock Name: SUCTION 4X6 PS AND INJECTION KIT 4X6 P

*Please notify us during the order if PVDF Kit model requested.

ELECTROMAGNETIC DOSING PUMPS

01 LARA DS

Digital Liquid Level Controlled Dosing Pump

- Digital screen, precise dosing with micro controller technology, time adjustment and user password parameters (Image 1)
- User friendly button technology with easy menu (Image 2)
- Adjustable double BNC input (optional liquid level or flow contact) (Image 3)
- Easy and flexible installation and usage by the vertical mount design
- High resistance to corrosive chemicals with the PVDF Pump Head and entire IP65 body
- Electronic circuit controlled electromagnet and long lasting Teflon (PTFE) diaphragm
- Lesser Maintenance by ceramic ball design
- Suction and injection parts included



Stock Code	Model	L/h	Max. Counter Pressure/Bar	Package Sizes/cm W-L-H	Packed Weight/Kg
301402010101000	DP LARA DS 2L/10B V220FAT	2	10	23 x 28 x 21	3,10
301405007101000	DP LARA DS 5L/7B V220FAT	5	7		
301410005101000	DP LARA DS 10L/5B V220FAT	10	5		
301402020101000	DP LARA DS 2L/20B V220FAT	2	20		

■ Liquid Level Sensor is included to prices.



Image 1



Image 2



Image 3



Suction Kit with Liquid Level Sensor/Included



Stock Code : 600110800110000
Stock Name: SUCTION KIT 4X6 V

Injection Kit/Included



Stock Code : 600110700311000
Stock Name: INJECTION KIT 4X6 V

Pipe Kit/Included



Stock Code : 600110500100000/600110400200000
Stock Name: PIPE KIT V/MOUNTING KIT DP

PVDF Suction and Injection Kit*



Stock Code : 600110800131000/600110700313000
Stock Name: SUCTION 4X6 PS AND INJECTION KIT 4X6 P

*Please notify us during the order if PVDF Kit model requested.

ELECTROMAGNETIC DOSING PUMPS

LARA DMS

Digital Liquid Level Controlled & Volumetric Dosing Pump

- Digital screen, precise dosing with micro controller technology, time adjustment, liquid level control (Image 3) and user password parameters (Image 1)
- User friendly button technology with easy menu
- Adjustable double BNC input (optional liquid level or flow contact)
- Volumetric proportional control when connected to flowmeters (water meter, flowmeter, etc.) (Image 2)
- 4-20mA analog input, liquid level alarm relay (Image 2)
- Easy and flexible installation and usage by the vertical mount design
- High resistance to corrosive chemicals with the PVDF Pump Head and entire IP65 body
- Electronic circuit controlled electromagnet and long lasting Teflon (PTFE) diaphragm
- Lesser Maintenance by ceramic ball design
- Suction and injection parts included



Stock Code	Model	L/h	Max. Counter Pressure/Bar	Package Sizes/cm W-L-H	Packed Weight/Kg
301602010101000	DP LARA DMS 2L/10B V220FAT	2	10	23 x 28 x 21	3,15
301605007101000	DP LARA DMS 5L/7B V220FAT	5	7		
301610005101000	DP LARA DMS 10L/5B V220FAT	10	5		
301602020101000	DP LARA DMS 2L/20B V220FAT	2	20		

- Liquid Level Sensor is included to prices.



Image 1



Image 2



Image 3



Suction Kit, Injection Kit with Liquid Level Sensor/Included



Stock Code : 60011080011000/60011070031000
Stock Name: SUCTION KIT 4X6 V5/INJECTION KIT 4X6 V

Extentional Connection Kit/Included



Stock Code : 600110300200002
Stock Name: CABLE KIT HRC

Pipe Kit/Included



Stock Code : 600110500100000/600110400200000
Stock Name: PIPE KIT V/MOUNTING KIT DP

PVDF Suction and Injection Kit*



Stock Code : 600110800131000/600110700313000
Stock Name: SUCTION 4X6 P5 AND INJECTION KIT 4X6 P

*Please notify us during the order if PVDF Kit model requested.

ELECTROMAGNETIC DOSING PUMPS

01 LARA PR

ORP/PH & Liquid Level Controlled Digital Dosing Pump

- Digital screen, precise dosing with micro controller technology, time adjustment, liquid level control and user password parameters (Image 2)
- User friendly button technology with easy menu
- ORP (REDOX) or pH measurement with standard combination electrodes (Image 1)
- Totally digital and automatic calibration by using buffer solutions (Image 3)
- Start-up Delay function, adjustable timer for correct reading measurements according to chemical reaction time (0-60 min.)
- Volumetric proportional control when connected to flowmeters (water meter, flowmeter, etc.) (Volumetric control cable is not included product package)
- 4-20mA analog input
- Adjustable BNC input (optional liquid level or flow contact)
- Easy and flexible installation and usage by the vertical mount design
- High resistance to corrosive chemicals with the PVDF Pump
- Head and entire IP65 body Electronic circuit controlled electromagnet and long lasting Teflon(PTFE) diaphragm
- Lesser Maintenance by ceramic ball design
- Suction, injection parts and liquid level sensor accessories included



Stock Code	Model	L/h	Max. Counter Pressure/Bar	Package Sizes/cm W-L-H	Packed Weight/Kg
301002010101000	DP LARA PR 2L/10B V220FAT	2	10	23 x 28 x 21	3,60
301005007101000	DP LARA PR 5L/7B V220FAT	5	7		
301010005101000	DP LARA PR 10L/5B V220FAT	10	5		
301002020101000	DP LARA PR 2L/20B V220FAT	2	20		

*YOU CAN DO ACCESSORY SELECTION FROM THE PROBE HOLDERS TABLE ON THE NEXT PAGE.

■ Liquid Level Sensor is included to prices.



Image 1



Image 2



Image 3



Suction Kit with Liquid Level Sensor/Included



Stock Code : 600110800110000
Stock Name: SUCTION KIT 4X6 V

Injection Kit/Included



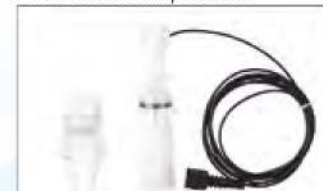
Stock Code : 600110700311000
Stock Name: INJECTION KIT 4X6 V

Pipe Kit/Included



Stock Code : 600110500100000/600110400200000
Stock Name: PIPE KIT V/MOUNTING KIT DP

PVDF Suction and Injection Kit*



Stock Code : 600110800131000/600110700313000
Stock Name: SUCTION 4X6 P5 AND INJECTION KIT 4X6 P

*Please notify us during the order if PVDF Kit model requested.

ELECTROMAGNETIC DOSING PUMPS

LARA PR PROBE HOLDER ELECTRODE SET

Stock Code	Model	Description
410150011100001	PROBE HOLDER SET P 1 S	ELECTRODE PH 6M SENSOR XS + SUBMERSIBLE PROBE HOLDER + CALIBRATION SOLUTIONS PH
410150011200001	PROBE HOLDER SET P 2 S	ELECTRODE PH 6M SE NSOR XS + FLOW CELL SINGLE WITH FILTER + ELECTRODE CELL MOUNTAGE SET+ CALIBRATION SOLUTIONS PH
410150011300001	PROBE HOLDER SET P 3 S	ELECTRODE PH 6M SENSOR XS + ELECTRODE FIXING GLAND 1/2 + CALIBRATION SOLUTIONS PH
410150011400001	PROBE HOLDER SET P 4 S	ELECTRODE PH 6M SENSOR XS + PROBE HOLDER HOSE TYPE + CALIBRATION SOLUTIONS PH
410150012100001	PROBE HOLDER SET R 1 S	ELECTRODE ORP 6M SENSOR XS + SUBMERSIBLE PROBE HOLDER + CALIBRATION SOLUTIONS ORP
410150012200001	PROBE HOLDER SET R 2 S	ELECTRODE ORP 6M SENSOR XS + FLOW CELL SINGLE WITH FILTER +ELECTRODE CELL MOUNTAGE SET+ CALIBRATION SOLUTIONS
410150012300001	PROBE HOLDER SET R 3 S	ELECTRODE ORP 6M SENSOR XS + ELECTRODE FIXING GLAND 1/2 + CALIBRATION SOLUTIONS
410150012400001	PROBE HOLDER SET R 4 S	ELECTRODE ORP 6M SENSOR XS + PROBE HOLDER HOSE TYPE + CALIBRATION SOLUTIONS ORP
410150021100001	PROBE HOLDER SET P 1 E	ELECTRODE PH 6M ANTECH + SUBMERSIBLE PROBE HOLDER + CALIBRATION SOLUTIONS PH
410150021200001	PROBE HOLDER SET P 2 E	ELECTRODE PH 6M ANTECH + FLOW CELL SINGLE WITH FILTER + ELECTRODE CELL MOUNTAGE SET+ CALIBRATION SOLUTIONS PH
410150021300001	PROBE HOLDER SET P 3 E	ELECTRODE PH 6M ANTECH + ELECTRODE FIXING GLAND 1/2 + CALIBRATION SOLUTIONS PH
410150021400001	PROBE HOLDER SET P 4 E	Electrode pH 6M E + PROBE HOLDER HOSE TYPE + CALIBRATION SOLUTIONS pH
410150022100001	PROBE HOLDER SET R 1 E	Electrode ORP 6M E + SUBMERSIBLE PROBE HOLDER + CALIBRATION SOLUTIONS ORP
410150022200001	PROBE HOLDER SET R 2 E	ELECTRODE ORP 6M ANTECH + FLOW CELL SINGLE WITH FILTER +ELECTRODE CELL MOUNTAGE SET+ CALIBRATION SOLUTIONS ORP
410150022300001	PROBE HOLDER SET R 3 E	ELECTRODE ORP 6M ANTECH + ELECTRODE FIXING GLAND 1/2 + CALIBRATION SOLUTIONS ORP
410150022400001	PROBE HOLDER SET R 4 E	ELECTRODE ORP 6M E + PROBE HOLDER HOSE TYPE + CALIBRATION SOLUTIONS ORP

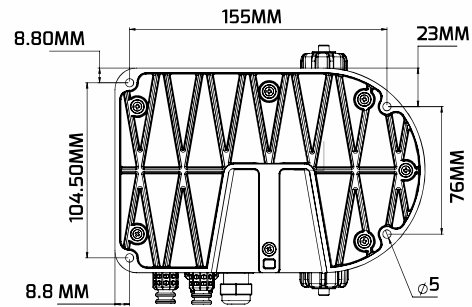
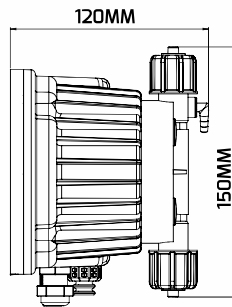
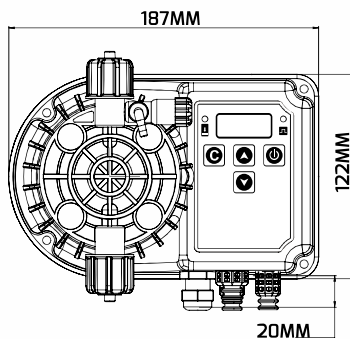
Probe Holders



ELECTROMAGNETIC DOSING PUMPS

01 LARA SERIES TECHNICAL SPECS

Model		Max./Lt	Max./P	Stroke/min	ml/Stroke	Supply voltage	Watt	Weight	Body	Max. Ambient Temperature	Max. Chemical Temperature
		Lt / h	Bar	Stroke	ml	Volt	W	kg	IP	°C	°C
A	2L/10B	2	10	120	0,278	230V AC 50 Hz	25	2,2	65	0-45	0-40
APS	5L/7B	5	7	120	0,694						
DS	10L/5B	10	5	150	1,111						
DMS	10L/5B	10	5	150	1,111						
PR	2L/20B	2	20	120	0,278						



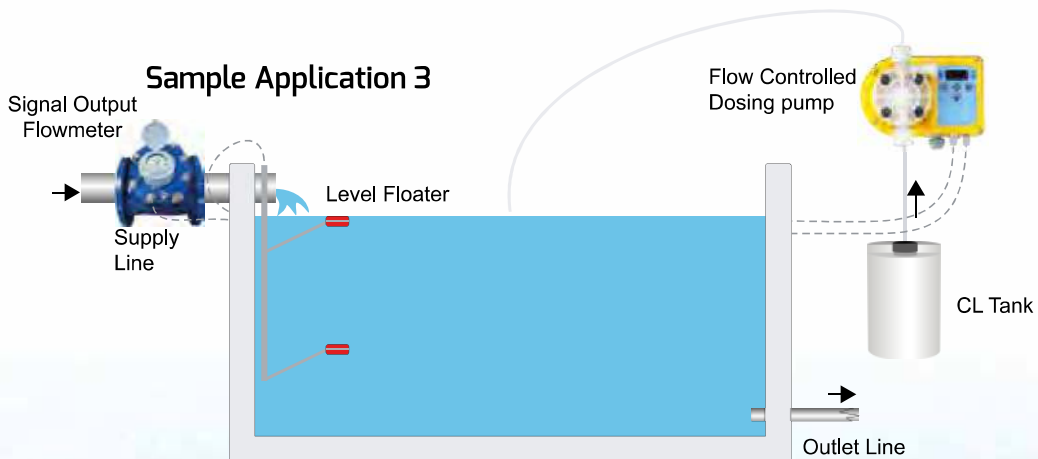
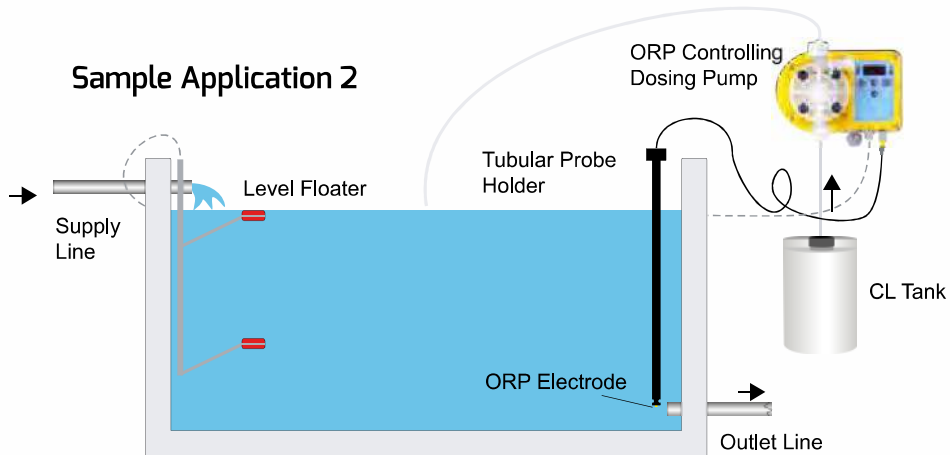
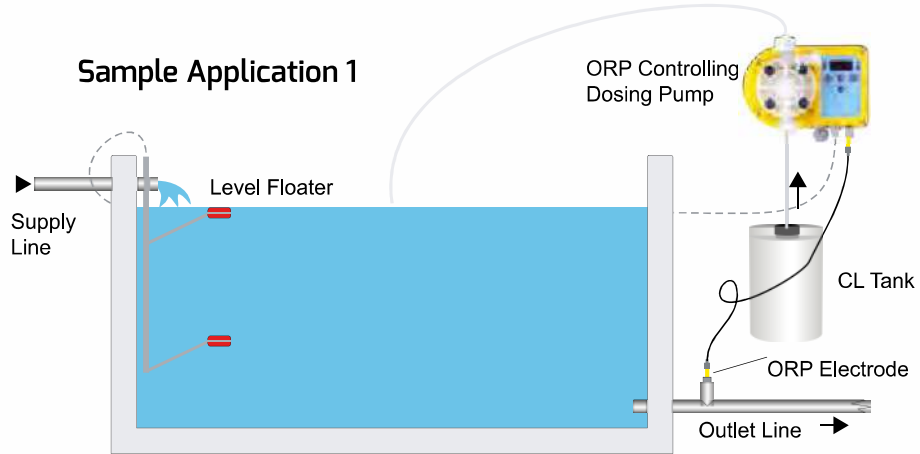
Lara Series Dosing Pump Used Parts and Materials

Pump Head		PVDF
Pump Body		PP
Check valves	Suction Set	PP-PVDF*, Zirconyum Ball, Viton-EPDM* Oring
	Injection Set	PP-PVDF*, Zirconyum Ball, Viton-EPDM* Oring
	Pump Head Set	PVDF, Zirconyum Ball, Viton-EPDM* Oring
Diaphragm		PTFE
Glands		PVDF
O-Rings		Viton-EPDM*
Suction Pipe		PVC/PE*
Injection Pipe		PE
Ventilating Pipe		PVC/PE*

*May vary by model

ELECTROMAGNETIC DOSING PUMPS

LARA SERIES SAMPLE APPLICATIONS



ELECTROMAGNETIC DOSING PUMPS

01 NANO A

Nano Series Analog Dosing Pumps

- Adjustable stroke rate via the potentiometer on the device (Image 1)
- Easy and flexible installation and usage by the vertical mount design (Image 2 and 3)
- High resistance to corrosive chemicals with the PP Pump Head and entire IP65 body
- Electronic circuit controlled electromagnet and long lasting Teflon (PTFE) diaphragm
- Lesser Maintenance by ceramic ball design
- Suction, injection parts and liquid level sensor accessories included



Stock Code	Model	L/h	Max. Counter Pressure/Bar	Package Sizes/cm W-L-H	Packed Weight/Kg
302105005101000	DP NANO A 5L/5B V220FAT	5	5	21 X 24 X 18	2,45
302102010101000	DP NANO A 2L/10B V220FAT	2	10		
302100505101000	DP NANO A 0,5L/5B V220FAT	0,5	5		



Image 1



Image 2



Image 3



Suction Kit /Included



Stock Code : 600110800110000
Stock Name: SUCTION KIT 4X6 V

Injection Kit/Included



Stock Code : 600110700311000
Stock Name: INJECTION KIT 4X6 V

Pipe Kit/Included



Stock Code : 600110500100000/600110400200000
Stock Name: PIPE KIT V/MOUNTING KIT DP

Maintenance Kit/Included

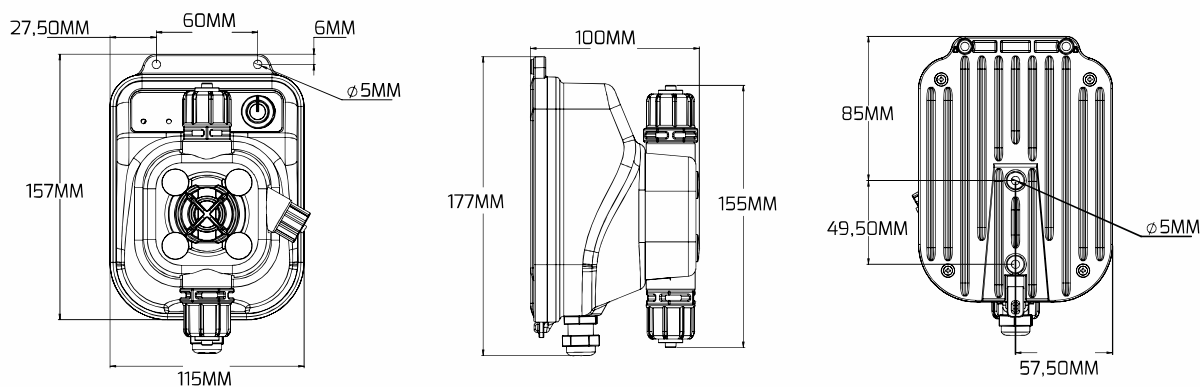


Stock Code : TS310144120000000
Stock Name: TS CHECK VALVE KIT V

ELECTROMAGNETIC DOSING PUMPS

NANO SERIES TECHNICAL SPECS

Model		Max./Lt	Max./P	Stroke/min	ml/Stroke	Supply voltage	Watt	Weight	Body	Max. Ambient Temperature	Max. Chemical Temperature
		Lt / h	Bar	Stroke	ml	Volt	W	kg	IP	°C	°C
A	2L/10B	2	10	180	0,185	230 VAC 50 Hz	25	2,2	65	0-45	0-40
	5L/5B	5	5	180	0,463						
	0,5L/5B	0,5	5	180	0,046						



NANO Series Technical Dosing Pump Used Parts and Materials

Pump Head	PP	
Pump Body	PP	
Check valves	Suction Set	PP, Zirconium Ball, Viton-EPDM* Oring
	Injection Set	PP, Zirconium Ball, Viton-EPDM* Oring
	Pump Head Set	PP, Zirconium Ball, Viton-EPDM* Oring
Diaphragm	PTFE	
Glands	PP	
O-Rings	Viton-EPDM*	
Suction Pipe	PVC	
Injection Pipe	PE	
Ventilating Pipe	PVC	

*May vary by model

ELECTROMECHANIC DIAPHRAGM DOSING PUMPS

01 EMD-P

Plastic Body Electromechanic Diaphragm Dosing Pumps

- Ideal solution for dosing high amount of liquid chemicals in precise measure
- Optional Pump head, unions and check valve preference among PP, SS 316 and PVDF materials according to chemical used
- Capacity adjustment from 0%-100% while running or standby
- Ability of capacity adjustment with 4-20 mA signal input motor driver



Stock code	Model	L/h	Max. Counter Pressure Bar	Package Sizes/cm W-L-H	Packed Weight/Kg
311014005241(XXX)	EMD P14L/5B 380 (XXX)	14	5	31 x 38 x 23	5,90 (PCP)
311032005251(XXX)	EMD P32L/5B 380 (XXX)	32			5,95 (PSS)
311049005261(XXX)	EMD P49L/5B 380 (XXX)	49			6,10 (PVCCP) 6,00 (PVDFCP) 7,40 (SSS)

EMD AUXILIARY EQUIPMENTS

Stock code	Stock name	Description
410160011100001	EMD CONNECTION KIT 9X12 PP	SUCTION SET EMD 9X12 PP + INJECTION SET EMD 9X12 PP
410160012200001	EMD CONNECTION KIT 20MM PP	SUCTION SET EMD 20MM PP + INJECTION SET EMD 20MM PP
410160021100001	EMD CONNECTION KIT PVC 9X12MM	SUCTION SET EMD 9X12 PVC + INJECTION SET EMD 9X12 PVC
410160022200001	EMD CONNECTION KIT 20MM PVC	SUCTION SET EMD 20MM PVC + INJECTION SET EMD 20MM PVC
410170011100001	PIPE KIT 9X12 PE 10M	PIPE 9X12 PE 10 METERS

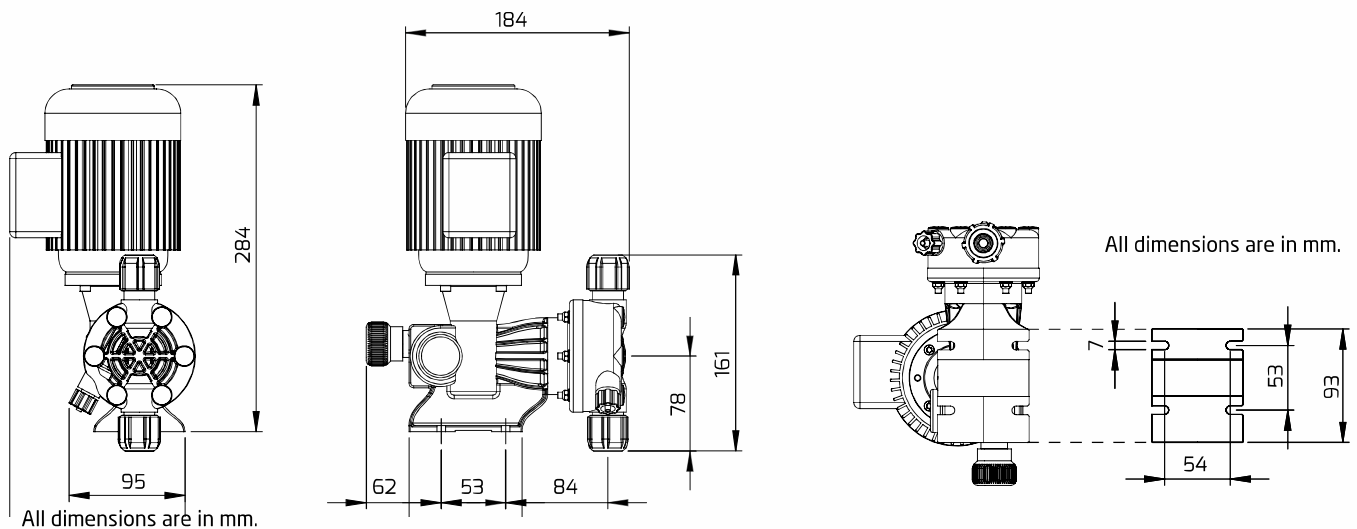


ELECTROMECHANIC DIAPHRAGM DOSING PUMPS

EMD-P Technical Specs

Head Set Selection Standards for Electromechanic Diaphragm Dosing Pumps(XXX)

CODE MODEL(XXX)	Pump	Ball	Ball	Diaphragm
000/PCP	PP	Ceramic	PTFE	PTFE
100/PSS	PP	S.S.316	S.S.316	PTFE
200/SSS	S.S.316	S.S.316	S.S.316	PTFE
300/PVDFCP	PVDF	Ceramic	PTFE	PTFE
400/PVCCP	PVC	Ceramic	PTFE	PTFE



Pump Model	Ø mm Diaphragm	Stroke / min		Capacity				Max. Pressure		Stroke mm	kW	Connections	Weight
		50Hz	60Hz	L'		L/h		Bar	Psi				
				50Hz	60Hz	50Hz	60Hz						
EMD P14L/5B 380 (XXX)	66	42	50	0,23	0,28	14	17	5	72,5	4	0,09	3/4"	4,50 (PCP)
EMD P32/5B 380 (XXX)		85	102	0,53	0,64	32	38						6,00 (SSS)
EMD P49L/5B 380 (XXX)		128	153	0,82	0,98	49	59						4,60 (PVDFCP)

Pump installation connection is 3/4 " external threaded. Optional 3/8" internal threaded and 9x12mm hose connection accessories are included in the package.

ELECTROMECHANIC DIAPHRAGM DOSING PUMPS

01 EMD-M

Metal Body Electromechanic Diaphragm Dosing Pumps

- Ideal solution for dosing high amount of liquid chemicals in precise measure
- Optional Pump head, unions and check valve preference among PP, SS 316 and PVDF materials according to chemical used
- Capacity adjustment from 0%-100% while running or standby
- Ability of capacity adjustment with 4-20 mA signal input motor driver



Stock code	Model	L/h	Max. Counter Pressure Bar	Package Sizes/cm W-L-H	Packed Weight/Kg
310050007101(XXX)	EMDM50L/7B380(XXX)	50	7	41 x 58 x 33	13,65 (PCP)
310100007121(XXX)	EMDM100L/7B380(XXX)	100			13,70 (PSS)
310150007131(XXX)	EMDM150L/7B380(XXX)	150			14,10 (PVCCP) 13,90(PVDFCP) 18,20 (SSS)
310240005331(XXX)	EMDM240L/5B380(XXX)	240	5	41 x 58 x 33	14,85 (PVCPXP)
310360005331(XXX)	EMDM360L/5B380(XXX)	360			14,90 (PVCSS) 15,10(PVDFPXP) 19,40 (SSS)
310340003331(XXX)	EMDM340L/3B380(XXX)	340	3	41 x 58 x 33	15,85 (PVCPXP)
310460003331(XXX)	EMDM460L/3B380(XXX)	460			15,90 (PVCSS)
310630003431(XXX)	EMDM630L/3B380(XXX)	630			16,10(PVDFPXP) 20,40 (SSS)



Stock Code : 41016001100001
Stock Name: EMD CONNECTION KIT PP 9x12MM



Stock Code : 600110800310000
Stock Name: SUCTION KIT EMD 9x12 PP
Stock Code : 600110701340000
Stock Name: INJECTION KIT EMD 9x12 PP



Stock Code : 41017001100001
Stock Name: PIPE KIT 9x12 PE 10M



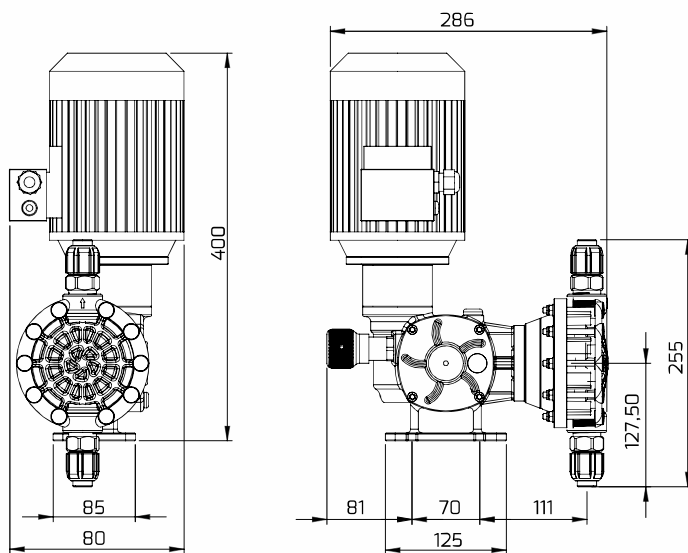
Stock Code : 600110800131000/600110700313000
Stock Name: SUCTION 4X6 PS AND INJECTION KIT 4X6 P

ELECTROMECHANIC DIAPHRAGM DOSING PUMPS

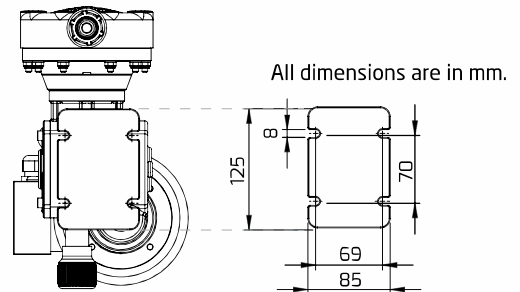
EMD-P Technical Specs

Head Set Selection Standards for Electromechanic Diaphragm Dosing Pumps(XXX)

CODE MODEL(XXX)	Pump	Ball	Ball	Diaphragm
000/PCP	PP	Ceramic	PTFE	PTFE
100/PSS	PP	S.S.316	S.S.316	PTFE
200/SSS	S.S.316	S.S.316	S.S.316	PTFE
300/PVDFCP	PVDF	Ceramic	PTFE	PTFE
400/PVCCP	PVC	Ceramic	PTFE	PTFE
500/PVCPXP	PVC	Pyrex	PTFE	PTFE
600/PVCSS	PVC	S.S.316	S.S.316	PTFE
700/PVDFPXP	PVDF	Pyrex	PTFE	PTFE



All dimensions are in mm.



All dimensions are in mm.

Pump Model	Ø mm Diaphragm	Stroke / min		Capacity				Max. Pressure		Stroke mm	kW	Connections	Weight
		50Hz	60Hz	L1'		L / h		Bar	Psi				
				50Hz	60Hz	50Hz	60Hz						
EMD M50L/7B 380(XXX)	110	40	48	0,83	1	50	60	7	101,5	5	0,25	3/4"	12,15 (PCP)
EMD M100L/7B 380(XXX)		80	96	1,66	2	100	120						16,70 (SSS)
EMD M150L/7B 380(XXX)		120	145	2,5	3	150	180						12,40(PVDFCP) 12,60 (PVCCP)
EMD M240L/5B 380 (XXX)	120	80	96	4	4,83	240	290	5	72,5	10	0,37	3/4"	13,35 (PVCPXP)
EMD M360L/5B 380 (XXX)		120	145	6	7,16	360	430						13,40 (PVCSS) 13,60(PVDFPXP) 17,90 (SSS)
EMD M340L/3B 380 (XXX)	140	80	96	5,66	6,83	340	410	3	43,5	10	0,37	1"	13,35 (PVCPXP)
EMD M460L/3B 380 (XXX)		120	145	7,66	9,16	460	550						13,40 (PVCSS) 14,60(PVDFPXP)
EMD M630L/3B 380 (XXX)		120	145	10,5	12,58	630	755						18,90 (SSS)