

Water Treatment



Chlorine Meter

MULTIFUNCTIONAL INDUSTRIAL CHLORINE METER



Main characteristics

- Output relays configurable as set point, maximum and minimum alarms, PWM proportional control over time, PFM proportional pulses regulation, SELF-CLEANING
- Possibility of having low voltage output 24V, control of small metering or solenoid valves without the addition of other processors and with safety voltage
- Galvanic isolation between inputs / microprocessor and current outputs
- Input to turn off relay control and stop the cycle of the colorimeter, FLW eventual input to control the water flow, OK output to signal to the proper functioning
- Views: Alarms and errors (diagnostics), date / time also without power and ability to enable / disable the operation of the colorimeter in predetermined time slots
- Program and calibration data saving in non-volatile memory
- RS232C serial output for dialogue / programming with PC, PLC available on a 9-pins Cannon connector or terminal block on request

Dosing Pump.ir



INJECTA
the perfect dosing

Water Treatment



Technical features

PHOTOMETRIC SWITCHBOARD FOR THE CONTROL AND MEASUREMENT OF 4 PARAMETERS:

Chlorine, pH, Rx, Temp

PERISTALTIC PUMP FOR DPD DOSING:

Silicone tube 3x7.4mm

Flow rate: 0.07cc/h

DPD REAGENT

Consumption of 1 litre of reagent with a 5 min. measurement interval

PROBE HOLDER

Probe holder and measuring chamber in plexiglass; water inlet and outlet tube 8x12 mm; max. temperature 60°

MANAGEMENT CARD

Illuminated 240 x 128 graphic display.

Power supply: 220-240 Vac 50/60Hz 38w

EXTERNAL BOX

Dimensions: 630 x 420 x 10 mm ;

Material: PP with IP65 Protection degree

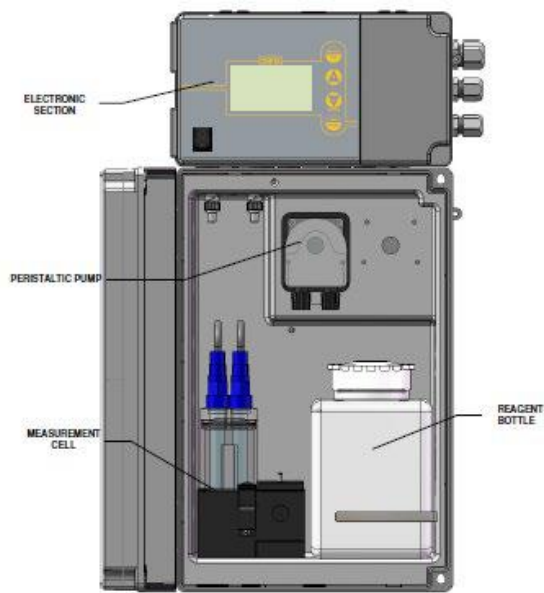
Installation kit



Water Treatment

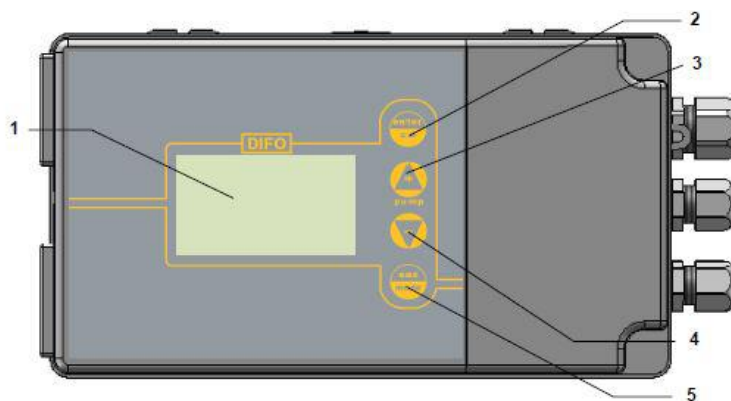


Inside view



Controls, indicators and connections

The following images illustrate the main modules, controls, indicators, and the most significant parts that make up the unit DIFO

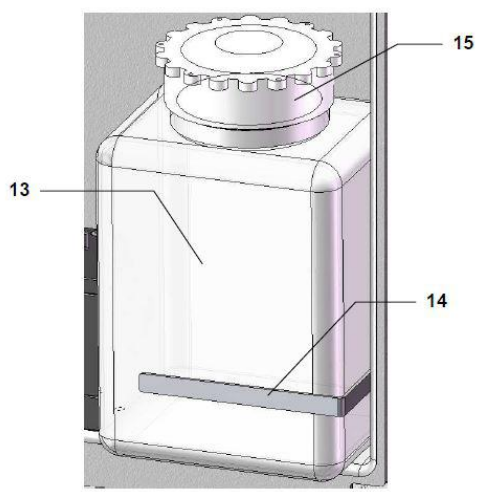
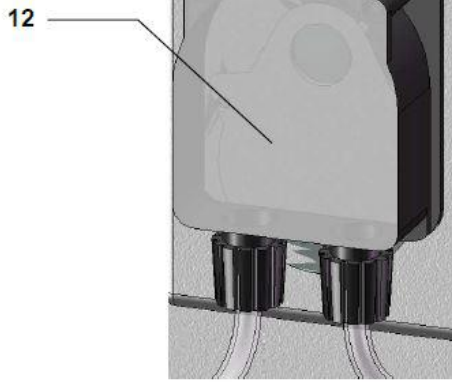


- 1-LCD Display
- 2-Button ENTER / CAL
- 3-Key UP
- 4-Button DOWN / PUMP
- 5- ESC / MODE Button

Water Treatment

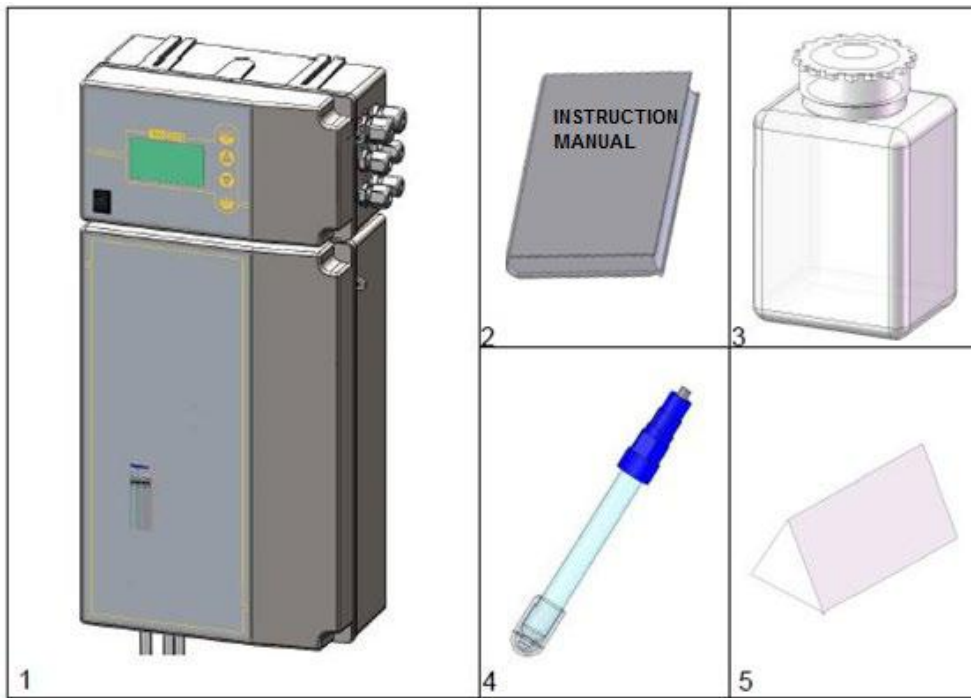
Dosing Pump.ir





- 12. Peristaltic pump
- 13. DPD Reagent bottle
- 14. AISI 316 DPD Bottle Holder
- 15. Reagent bottle cap

Installation kit



- 1 - 1 unit DIFO
- 2 - 1 Technical Manual
- 3 - 1 bottle of reagent for analysis DPD
- 4 - 1 pH electrode
- 5 - 1 magnetic anchor