

Motor-driven plunger dosing pump, mechanical actuated, PRIUS combines efficiency and chemical resistance to a wide capacity range for an extensive number of applications.

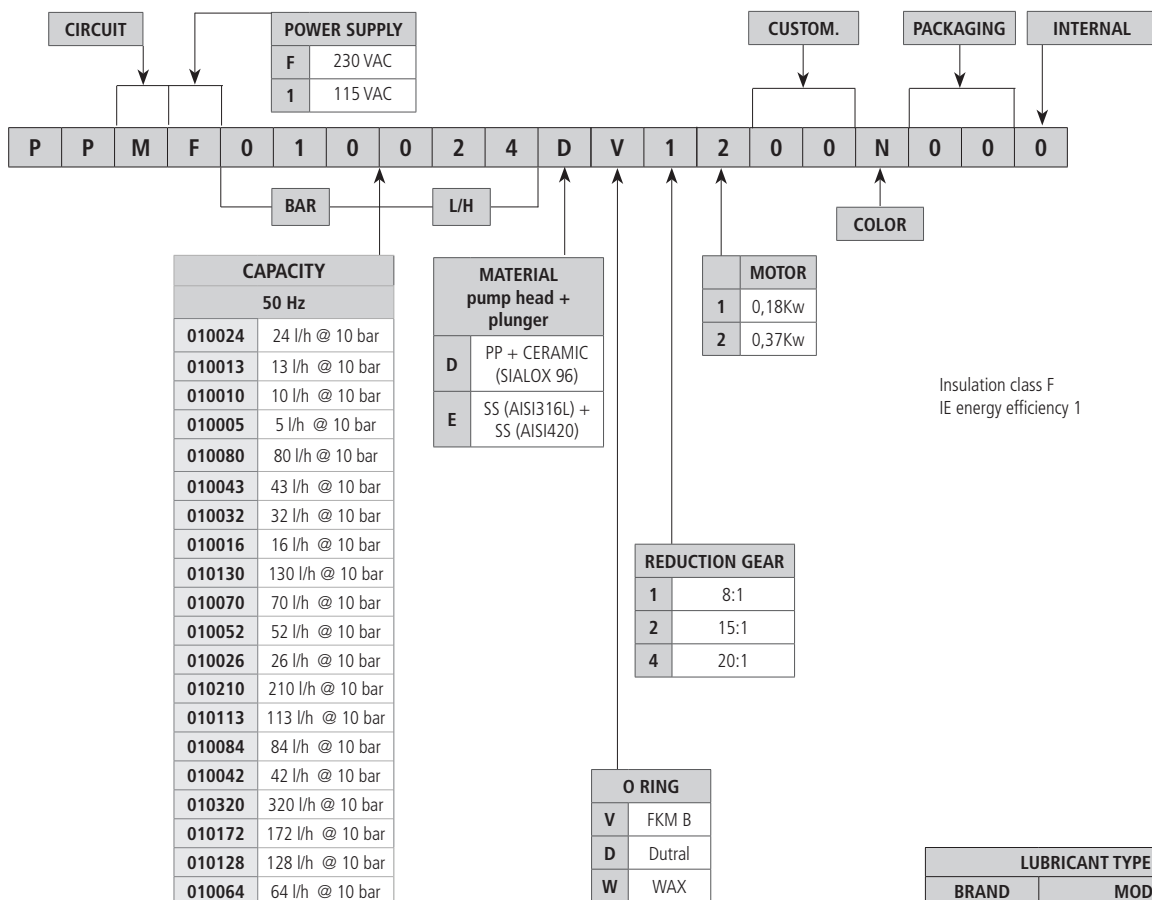
- Multifunction plunger pump with inverter
- Working mode: Constant, ppm, %, mlq, pause-work, weekly, pulse, mA, Volt and Batch
- Level control
- Alarms
- Stand-by
- Double position of the electronic unit (standard or rotated mounting)
- **Ceramic or Stainless Steel plunger**
- Aluminium enclosure
- Flow regulation
- Double ball check valve
- Tropicalized three-phase motors



STANDARD MOUNTING

ROTATED MOUNTING

### Identification code



DosingPump.ir

## Multifunction motor driven plunger metering pump

### “PRIUS P MF” - 50 Hz / SINGLE-PHASE SUPPLY

#### FEATURES

- Multifunction plunger pump with inverter
- Power supply: 230 VAC (+/-10%) - 50/60 Hz - single-phase
- Ceramic (SIALOX96) plunger and PP pump head or SS (AISI420) pump head and plunger
- Double ball check valve
- Aluminium enclosure
- Flow regulation
- Double position of the electronic unit (standard or rotated mounting)
- Environment temperature: ..... -10-40 °C (14-104 °F)
- Chemical temperature with SS pump head: ..... -10-90 °C (14-194 °F)\*
- Chemical temperature with PP pump head: ..... -10-40 °C (14-104 °F)
- Installation class ..... II
- Pollution level ..... 2
- Audible noise..... 78 dbA (± 5 dB)
- Protection degree ..... IP 55
- Max suction height ..... 3 m
- Oil capacity..... 0,3 lt (Refer to “Lubricant type” table)

\* The specified temperature can be exceeded temporarily (max 15') for sterilization or flushing with hot water.

PRIUS P MF WITH PP PUMP HEAD AND CERAMIC PLUNGER



STANDARD MOUNTING

ROTATED MOUNTING

PRIUS P MF WITH SS PUMP HAED AND PLUNGER



STANDARD MOUNTING

ROTATED MOUNTING

DosingPump.ir

## Multifunction motor driven plunger metering pump

### PRIUS P MF WITH PP PUMP HEAD AND CERAMIC PLUNGER

| PRIUS P MF    |                    |            |           |              |              |         |                     |                  |
|---------------|--------------------|------------|-----------|--------------|--------------|---------|---------------------|------------------|
| stroke length | PLUNGER diam. (mm) | PRIUS P MF | Stroke/1' | Pressure bar | Capacity l/h | Motor   | HOSES CONNECTION    | INSTALLATION KIT |
|               |                    |            |           |              |              |         | PP                  |                  |
| 15 mm         | 14                 | 010024     | 175       | 10           | 24           | 0,37 kW | G1/2"<br>12x18      | A                |
|               |                    | 010013     | 94        |              | 13           |         |                     |                  |
|               |                    | 010010     | 70        |              | 10           |         |                     |                  |
|               |                    | 010005     | 35        |              | 5            |         |                     |                  |
|               | 25                 | 010080     | 175       | 10           | 80           | 0,37 kW | G1/2"<br>12x18      | A                |
|               |                    | 010043     | 94        |              | 43           |         |                     |                  |
|               |                    | 010032     | 70        |              | 32           |         |                     |                  |
|               |                    | 010016     | 35        |              | 16           |         |                     |                  |
|               | 32                 | 010130     | 175       | 10           | 130          | 0,37 kW | G1/2"<br>12x18      | A                |
|               |                    | 010070     | 94        |              | 70           |         |                     |                  |
|               |                    | 010052     | 70        |              | 52           |         |                     |                  |
|               |                    | 010026     | 35        |              | 26           |         |                     |                  |
|               | 40                 | 010210     | 175       | 10           | 210          | 0,37 kW | G3/4"<br>d.i. 18 mm | B                |
|               |                    | 010113     | 94        |              | 113          |         |                     |                  |
|               |                    | 010084     | 70        |              | 84           |         |                     |                  |
|               |                    | 010042     | 35        |              | 42           |         |                     |                  |
|               | 50                 | 010320     | 175       | 10           | 320          | 0,37 kW | G3/4"<br>d.i. 18 mm | B                |
|               |                    | 010172     | 94        |              | 172          |         |                     |                  |
|               |                    | 010128     | 70        |              | 128          |         |                     |                  |
|               |                    | 010064     | 35        |              | 64           |         |                     |                  |

#### ACCESSORIES

##### A. INSTALLATION KIT INCLUDED

- 1/2" foot filter with 13 mm (int. diam.) hose fitting
- 3/4" injection valve
- 13 x16 PVDF or 12 X 18 PVC delivery hose
- 13 x16 PVDF or 12 X 18 PVC suction hose

##### B. INSTALLATION KIT (OPTION)

- 1 1/2" foot filter with 18 mm (int. diam.) hose fitting (G1 1/2" - 18 mm)
- 1 1/2" injection valve

Packaging of all models always includes:

- LEVEL PROBE
- INPUT / STANDBY CABLE
- ALARM CABLE

DosingPump.ir

## Multifunction motor driven plunger metering pump

### PRIUS P MF WITH SS PUMP HEAD AND PLUNGER

Stainless Steel pump does not fit installation kit.

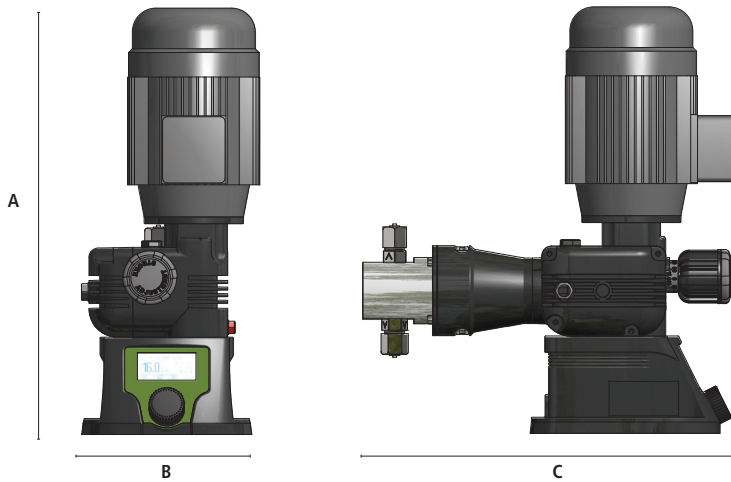
| PRIUS P MF    |                    |            |           |              |              |         |                  |
|---------------|--------------------|------------|-----------|--------------|--------------|---------|------------------|
| stroke length | PLUNGER diam. (mm) | PRIUS P MF | Stroke/1' | Pressure bar | Capacity l/h | Motor   | HOSES CONNECTION |
|               |                    |            |           |              |              |         | SS               |
| 15 mm         | 14                 | 010024     | 175       | 10           | 24           | 0,37 kW | R1/2"            |
|               |                    | 010013     | 94        |              | 13           |         |                  |
|               |                    | 010010     | 70        |              | 10           |         |                  |
|               |                    | 010005     | 35        |              | 5            |         |                  |
|               | 25                 | 010080     | 175       | 10           | 80           | 0,37 kW | R1/2"            |
|               |                    | 010043     | 94        |              | 43           |         |                  |
|               |                    | 010032     | 70        |              | 32           |         |                  |
|               |                    | 010016     | 35        |              | 16           |         |                  |
|               | 32                 | 010130     | 175       | 10           | 130          | 0,37 kW | R1/2"            |
|               |                    | 010070     | 94        |              | 70           |         |                  |
|               |                    | 010052     | 70        |              | 52           |         |                  |
|               |                    | 010026     | 35        |              | 26           |         |                  |
|               | 40                 | 010210     | 175       | 10           | 210          | 0,37 kW | R3/4"            |
|               |                    | 010113     | 94        |              | 113          |         |                  |
|               |                    | 010084     | 70        |              | 84           |         |                  |
|               |                    | 010042     | 35        |              | 42           |         |                  |
|               | 50                 | 010320     | 175       | 10           | 320          | 0,37 kW | R3/4"            |
|               |                    | 010172     | 94        |              | 172          |         |                  |
|               |                    | 010128     | 70        |              | 128          |         |                  |
|               |                    | 010064     | 35        |              | 64           |         |                  |

DosingPump.ir

## Multifunction motor driven plunger metering pump

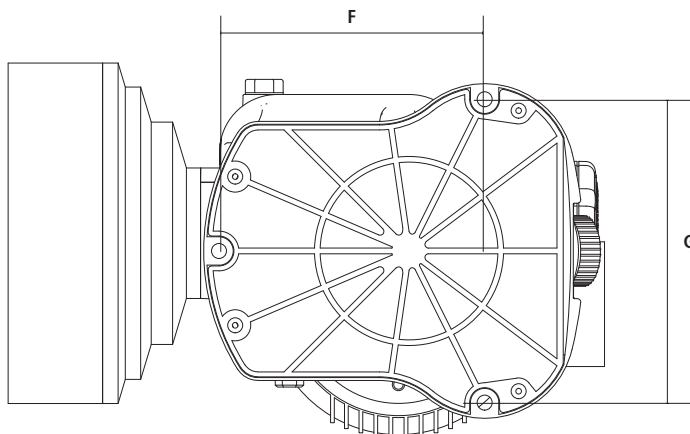
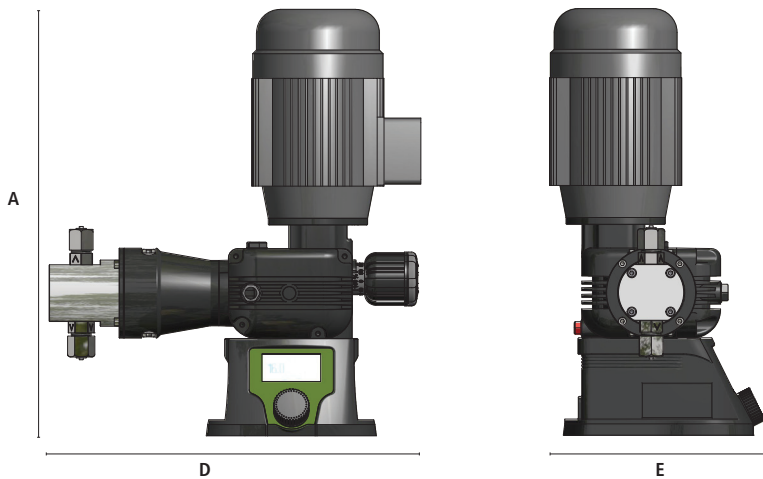
### Dimensions

WEIGHTS AND DIMENSIONS ARE REFERRED TO MOTOR PUMPS WITH PP PUMP HEAD MOD.



| DIMENSIONS (mm) |              |
|-----------------|--------------|
|                 | UM pump (PP) |
| A               | 450          |
| B               | 200          |
| C               | 420          |
| D               | 420          |
| E               | 200          |
| F               | 140          |
| G               | 160          |
| ∅ fixing holes  | 8            |

| WEIGHT (kg)       |    |
|-------------------|----|
| with PP pump head | 16 |
| with SS pump head | 25 |



DosingPump.ir