

# AP Series Motor Driven Piston Pump

## Overview

The AP series is mechanical piston pump for high pressure applications in chemical dosing. Extensive build options permit great customisability to maximise economy and practicality. Unsuitable for use with abrasive liquids containing solid particles.

All pumps have manual stroke length adjustments as standard. Optional automatic stroke length adjustment accepts a 4 – 20 mA signal.

The pump is encased in grey anodized aluminium finished with an anti-acid paint.

Can be built with an ATEX zone 2 rated motor.



*AP motor pump with AISI pump head*

## Technical Features

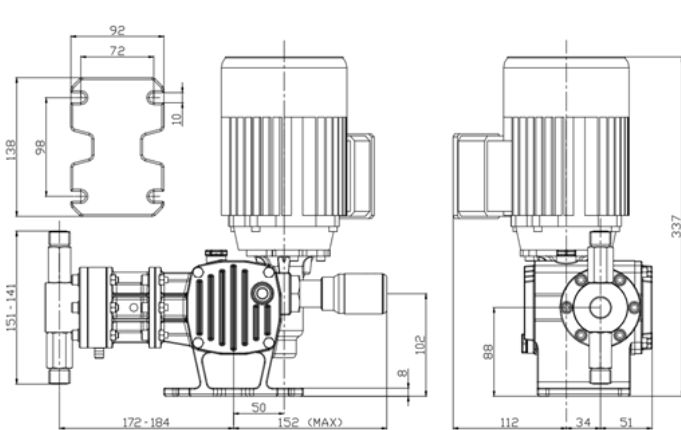
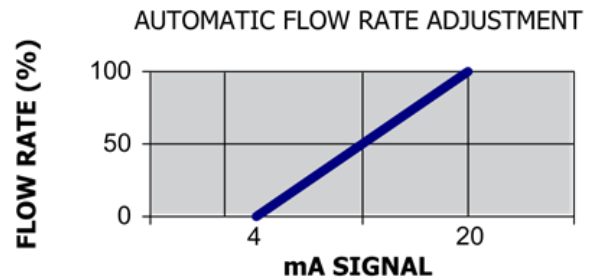
- **Flow Rate** 11 – 190 L/H
- **Maximum Pressure** 20 bar (low flow rate AISI head models), 3.5 bar (highest flow rate models).
- **Motor Options** Single phase, three phase, optional ATEX zone 2 compatibility, optional self-ventilated motor. Accepts 230 – 400 V input at 50 Hz, single phase motors restricted to 230/110 V.
- **Inverter Control** Yes. Expert installation only. Requires self-ventilated motor.
- **Pump Head** PVC, AISI or PVDF
- **Seal Material** FPM, EPDM & NBR
- **Thread** Gas male ½" and ¾"
- **ATEX Rated Motor** ATEX EEx-d 2G (zone 1) IIB T4 IP55 (Gas)  
ATEX EEx-d 2D (zone 1) IIB T4 Ip65 (Dust)
- **Valves** Single ball check valve (AISI only), Double ball check valves (PVC only).

# AP Series Motor Driven Piston Pump

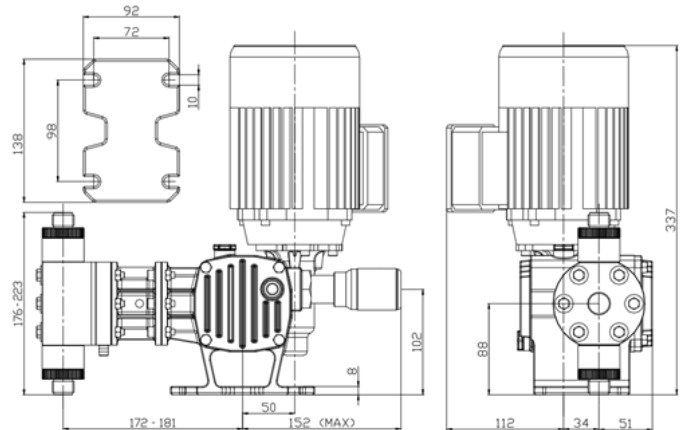
## 4 – 20 mA Control Options

AP series accepts two control options – inverter control or automatic stroke length control. To a 4 – 20 mA signal. The chart to the left displays the control signal response.

The tolerance is +5%. Please note that this requires a separate 24 V AC power supply and is available for models with 9.3, 10, 12.3, 14, 14.5, 15 and 20mm stroke lengths only.



AP motor pump with AISI head



AP motor pump with PVC/PVDF head

Code	Flow Rate (L/H)		Pressure (Bar)				Strokes per Minute		Stroke Length (mm)	Motor Output (Kw)	Valve Size
			AISI Pump Head		PVC/PVDF Pump Head						
	50 Hz	60 Hz	50 Hz	60 Hz	50 Hz	60 Hz	50 Hz	60 Hz			
AP0011**00100	11	13	20	20	10	10	60	72	15	0.18	1/2" Gm
AP0022**00100	22	-	20	-	10	-	120	-			
AP0039**00100	39	47	13.5	11	10	10	60	72			
AP0077**00100	77	-	10	-	10	-	120	-			
AP0095**00100	95	114	4.5	4	4.5	4	60	72			
AP0190**00100	190	-	3.5	-	3.5	-	120	-	3/4" Gm		

The information within this document may be subject to change without prior notice