



## COMPANY PROFILE

Etatron GB are the UK & Ireland branch office of Italian Chemical Dosing Pump Manufacturer Etatron D.S.

We have significant expertise in chemical dosing pumps, chemical controllers and chemical dosing systems. We offer solutions in automated chemical dosing, chemical dispensing diaphragm pumps and peristaltic pumps.

Etatron GB values all of our enquiries received from both new and current customers. We have a commitment to quote on the same day or next working day. In addition, all orders from stock are either dispatched on the same day that we receive the order, or next working day.

For chemical dosing systems requiring multiple dosing pumps, chemical controllers, chemical holding tanks, mixers and dosing system accessories we work tirelessly to coordinate and achieve lead and target date delivery needs.

We offer telephone technical support and when required site visits. Our website is optimised for usage on a mobile device with easy access to datasheets and chemical dosing equipment manuals.

Chemical dosing is a vital process in a wide range of industries including water treatment, the leisure industry & food processing. In the water treatment industry, chemical dosing is an important part of the process, Etatron GB has developed many chemical dosing and metering systems including disinfection, swimming pool water technology and pH correction systems. Our extensive range of chemical dosing pumps, controllers, probes and accessories means we can provide solutions to meet our customer's needs.

The Etatron GB range of pumps, controllers, chemical holding tanks, agitators, mixers and accessories are supported by leading chemical dosing engineers who have the necessary expertise and solutions for you.

[DosingPump.ir](http://DosingPump.ir)

## INDEX

### SOLENOID DOSING PUMPS

eOne - eOneB	4
PKX	8
DLX - DLXB	10
BT	14
eTwin	18
Complete Pump Heads	21
Accessories for Solenoid Dosing Pumps	22

### MOTOR DRIVEN DOSING PUMPS

ST-D	26
ST-P	27
D	28
P	29
Special Configuration	30
Motor Driven Dosing Pumps Accessories	31

### PERISTALTIC DOSING PUMPS

ePool	34
PK-Pool	35
eTwin	36
F	39
B	40
BH	41
BIOCLEAN	42
Laundry Control System	43
Peristaltic Dosing Pumps Accessories	44

### MEASURING AND CONTROL TECHNOLOGY

eControl - eControl DIN - eControl Rack	46
eSelect M4	47
eSelect M - eSelect SR - Eta Cloud	48
AG-S/Control CD - OXYGEN - TURBIDITY	51
Control Unit	52
ePhoton	53
Portable Instruments	54

### EQUIPMENT

Tanks	56
Mixers	57
Water Meters and Flow Meters	58
Dosing Systems	59

### ACCESSORIES

Electrode Holders	60
Electrodes	61
Probes	62
Filters	65

### SPARE PARTS

Pump Heads Kit	67
Control Circuit Boards	69
Diaphragms	71
Motor Pumps Spare Parts	72

# *eONE & eONEB Series*



The new range of Etatron Dosing Pumps, the eOne series, represents an important breakthrough in the market.

Main Features (except for eOne “BASIC”):

1. Smart control of power depending on the effective dosing conditions:
  - a. Flow rate control depending on pressure variation of the installation
  - b. Energy saving
  - c. Low heating of the device
  - d. Low wear of mechanical and electrical components
2. High injection frequency (up to 300 pulses/min)
3. Variable power supply, 100-250Vac (50/60Hz)
4. **UNDERLOAD** function – protects against low chemical supply, blocked suction valve or damaged suction tube
5. **OVERLOAD** function – dosing alarm, protects from over pressure inside the pump head, excessive operating pressure inside the dosing pipeline and blocked delivery valve
6. Diaphragm: PTFE
7. External casing: Reinforced PP and chemical resistant.
8. Pump head made of PP or PVDF, with ceramic ball valves, and all sealings in FPM, which is an elastomer compatible with a wide variety of chemicals.

DosingPump.ir



# Basic

“Analogue electromagnetic dosing pump with constant flow”

### General Features

- Manual flow rate adjustment
- Dual scale adjustment: 0 – 20% and 0 – 100%.
- Proportional mode 1:1 by water-meter pulse-sender signal
- Manual air bleed pump head
- Level probe input
- Flow rate: from 2 to 5 l/h
- Maximum pressure: up to 7 bar
- Stroke rate: up to 180 impulses/min

**CE**  
(standard)

eOne BASIC		Version
PP	PVDF	
PEU 50 387 AA	PEU 50 387 4I	0210
PEU 50 388 AA	PEU 50 388 4I	0507



# MA

“Analogue electromagnetic dosing pump with constant flow”

eOne MA is an electronic dosing pump with a smart control of power, depending on the effective dosing conditions

### General Features

- Flow rate control depending on pressure variation of the installation
- Energy saving
- Low current consumption
- Low wear of mechanical and electrical components
- Manual flow rate adjustment by a knob
- Dual scale adjustment: 0 – 20% and 0 – 100%.
- Proportional mode 1:1 by water-meter pulse-sender signal
- Manual air bleed pump head, except for the 20 l/h and 30 l/h models.
- Level probe input
- Flow rate: from 1 to 30 l/h
- Maximum pressure: up to 20 bar
- Stroke rate: from 180 to 300 impulses/min

**CE**  
(standard)

eOne MA		Version
PP	PVDF	
PEU 45 389 AA	PEU 45 389 4I	0110
PEU 45 391 AA	PEU 45 391 4I	0216
PEU 45 392 AA	PEU 45 392 4I	0420
PEU 45 393 AA	PEU 45 393 4I	0607
PEU 45 394 AA	PEU 45 394 4I	0710
PEU 45 395 AA	PEU 45 395 4I	1012
PEU 45 396 AA	PEU 45 396 4I	1505
PEU 45 397 AA	PEU 45 397 4I	2007
PEU 45 386 AA	PEU 45 386 4I	3005

DosingPump.ir



# MF

## “Multifunction Microprocessor Solenoid Dosing Pump”

eOne MF is an electronic dosing pump with smart control of power, depending on the effective dosing conditions

### General Features

- Manual air bleed pump head, except for the 20 l/h and 30 l/h models
- Manual flow rate regulation 0÷100%, 0÷300% impulses/min
- Proportional dosing modes (1 x n; 1 : n; 1 x n M; ml x l; L x l; ml x m3; PPM)
- Flow rate control depending on pressure variation of the installation
- Energy saving
- Low heating of the device
- Low wear of mechanical and electrical components
- Daily and weekly timer (16 programmes/day)
- Relay output
- 4-20 mA control
- Flow sensor input
- Stroke rate: from 180 to 300 impulses/min

**CE**  
(standard)

eOne MF		Version
PP	PVDF	
PEU 48 389 AA	PEU 48 389 4I	0110
PEU 48 391 AA	PEU 48 391 4I	0216
PEU 48 392 AA	PEU 48 392 4I	0420
PEU 48 393 AA	PEU 48 393 4I	0607
PEU 48 394 AA	PEU 48 394 4I	0710
PEU 48 395 AA	PEU 48 395 4I	1012
PEU 48 396 AA	PEU 48 396 4I	1505
PEU 48 397 AA	PEU 48 397 4I	2007
PEU 48 386 AA	PEU 48 386 4I	3005

eOne B MF		Version
PP	PVDF	
PBU 48 389 AA	PBU 48 389 4I	0110
PBU 48 391 AA	PBU 48 391 4I	0216
PBU 48 392 AA	PBU 48 392 4I	0420
PBU 48 393 AA	PBU 48 393 4I	0607
PBU 48 394 AA	PBU 48 394 4I	0710
PBU 48 395 AA	PBU 48 395 4I	1012
PBU 48 396 AA	PBU 48 396 4I	1505
PBU 48 397 AA	PBU 48 397 4I	2007
PBU 48 386 AA	PBU 48 386 4I	3005



# Plus

## “Multi-function Microprocessor Solenoid Dosing Pump With pH, Rx or Cl (ppm) and proportional control”

eOne PLUS is an electronic dosing pump with smart control of power, depending on the effective dosing conditions

### General Features

- Flow rate control depending from pressure variation of the installation
- Energy saving
- Low heating of the device
- Low wear of mechanical and electrical components
- High injection frequency up to 300 pulses/min
- Manual flow rate regulation 0÷100%, 0÷300 impulses/min
- Maximum pressure: up to 20 bar
- Manual air bleed pump head, except for the 20 l/h and 30 l/h models.
- Flow rate: from 1 l/h to 30 l/h
- Stroke rate: from 180 to 300 impulses/min
- Proportional dosing modes (1 x n; 1 : n; 1 x n M; ml x l; L x l; ml x m3; PPM)
- Measure ranges: 0.00– 14.00 pH; -1000 /+1400 mV Redox; 0÷2, 0÷10, 0÷20, 0÷200 ppm
- Daily and weekly timer (16 programmes/day)
- Relay output
- ON/OFF mode or proportional mode
- DIRECT or REVERSE intervention
- PT100 temperature probe input
- 4-20 mA control
- Flow sensor input
- Hysteresis
- Level probe input

**CE**  
(standard)

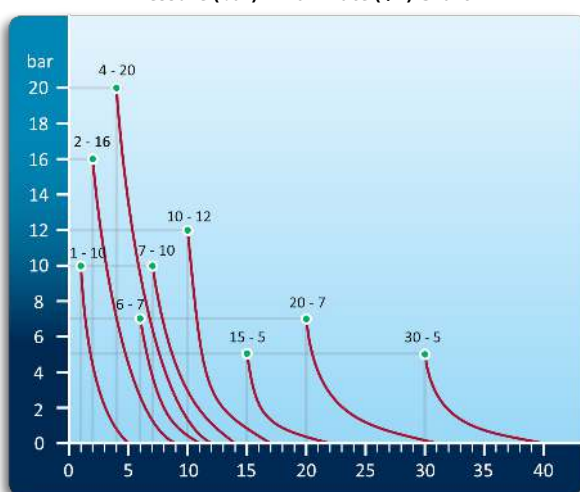
eOne PLUS		Version
PP	PVDF	
PEU 46 389 AA	PEU 46 389 4I	0110
PEU 46 391 AA	PEU 46 391 4I	0216
PEU 46 392 AA	PEU 46 392 4I	0420
PEU 46 393 AA	PEU 46 393 4I	0607
PEU 46 394 AA	PEU 46 394 4I	0710
PEU 46 395 AA	PEU 46 395 4I	1012
PEU 46 396 AA	PEU 46 396 4I	1505
PEU 46 397 AA	PEU 46 397 4I	2007
PEU 46 386 AA	PEU 46 386 4I	3005

eOne B PLUS		Version
PP	PVDF	
PBU 46 389 AA	PBU 46 389 4I	0110
PBU 46 391 AA	PBU 46 391 4I	0216
PBU 46 392 AA	PBU 46 392 4I	0420
PBU 46 393 AA	PBU 46 393 4I	0607
PBU 46 394 AA	PBU 46 394 4I	0710
PBU 46 395 AA	PBU 46 395 4I	1012
PBU 46 396 AA	PBU 46 396 4I	1505
PBU 46 397 AA	PBU 46 397 4I	2007
PBU 46 386 AA	PBU 46 386 4I	3005

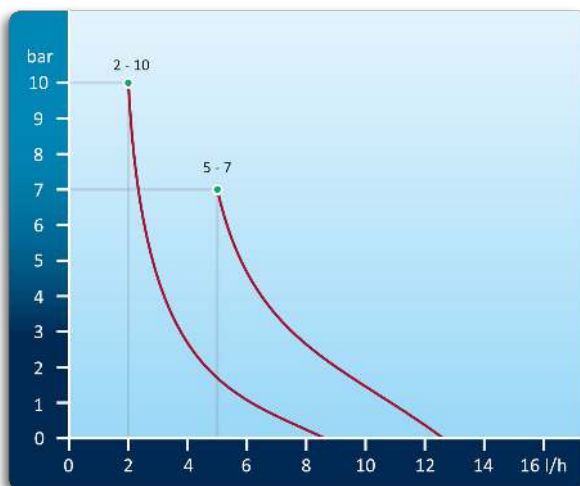
### Technical Features

Version	Flow rate	Pressure	Max Frequency	Connections Int/Ext	Power supply	Power consumption
	l/h (US Gal/h)	bar (psi)	imp/min	mm		Min/Max (W)
0110	1 (0.26)	10 (145)	180	4x6	100 – 250 Vac; 50 – 60 Hz	5/23
0210	2 (0.53)	10 (145)	180	4x6	100 – 250 Vac; 50 – 60 Hz	32
0216	2 (0.53)	16 (232)	300	4x6	100 – 250 Vac; 50 – 60 Hz	5/23
0420	4 (1.06)	20 (290)	300	4x6	100 – 250 Vac; 50 – 60 Hz	10/32
0507	5 (1.32)	7 (101)	180	4x6	100 – 250 Vac; 50 – 60 Hz	32
0607	6 (1.59)	7 (101)	300	4x6	100 – 250 Vac; 50 – 60 Hz	5/23
0710	7 (1.84)	10 (145)	300	4x6	100 – 250 Vac; 50 – 60 Hz	7/26
1012	10 (2.64)	12 (174)	300	4x6	100 – 250 Vac; 50 – 60 Hz	10/32
1505	15 (3.96)	5 (72)	300	4x6	100 – 250 Vac; 50 – 60 Hz	7/26
2007	20 (5.26)	7 (101)	300	6x8	100 – 250 Vac; 50 – 60 Hz	10/35
3005	30 (7.92)	5 (72)	300	6x8	100 – 250 Vac; 50 – 60 Hz	10/35

Pressure (bar) – Flow Rate (l/h) Chart

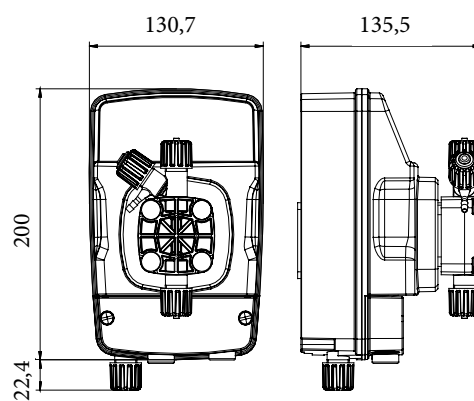


MA - MF - PLUS

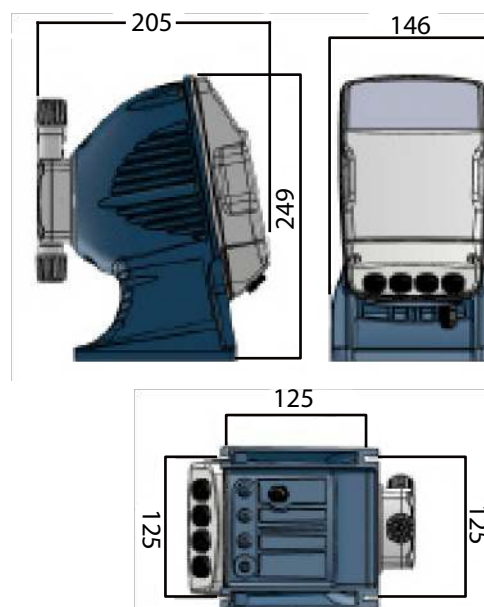


BASIC

Overall Dimensions - eOne



Overall Dimensions - eOneB



### PVDF-FPM kit 1-15 L

ALL eOne are supplied with a standard PVDF-FPM installation kit, made up of 2m discharge PE tube (4x6mm), 2m suction + 2m bleeding PVC crystal tube (4x6mm), PVDF foot-filter, PVDF injection valve. Other configurations are available upon request.

SCO 00300 02



# PKX Series



PKX metering pumps series are an ideal solution for small dosing with an exceptional price/quality ratio; the mounting bracket (included) simplifies the installation on a wall or on horizontal basin.

#### Common Features:

- Flow rate up to 7 L/H
- Operating pressure up to 7 bar
- Max stroke rate: 120 impulses/min
- Manual air bleed pump head
- IP65 protection degree
- Wall or foot mounting plastic bracket (included)
- STD Power Supply: 230 Vac 50-60 Hz
- PTFE diaphragm
- Available with removable power cable
- Extra silent version available upon request
- Pump head options include PVDF with ceramic balls and Auto-bleeding
- CE (standard) and CSA certified (on request)

DosingPump.ir



# MA/A

## “Analogue Solenoid Dosing Pump”

Compact Solenoid dosing pump with configurable foot or wall mount bracket

### General Features

- Manual flow rate adjustment from 0 – 100%
- Level probe input (available for PKX MA/AL only)
- Optional power supply: 120 Vac 50-60 Hz / 12Vdc / 24Vac-Vdc
- Flashing LED under working conditions
- PP reinforced housing
- PP pump head with Lip valves



PKX MA/A	Version
PKX 01 028 01	0105
PKX 01 289 01	0206
PKX 01 039 01	0505
PKX01 038 01	0507
PKX 01 040 01	0702



# FT/A

## “Proportional Solenoid Dosing Pump”

Compact Solenoid dosing pump with configurable foot or wall mount bracket

### General Features

- Proportional dosing mode (Free Tension Contact)
- Volumetric Proportional (F type): 1:1 (1 dose per pulse)
- Volumetric with timer (T type): 1 pulse the pump will dose for a period of time (from 0 to 60 sec) adjustable from 0 to 100%
- Level probe input
- PP reinforced housing
- PP pump head with Lip valves
- CE and CSA certifications



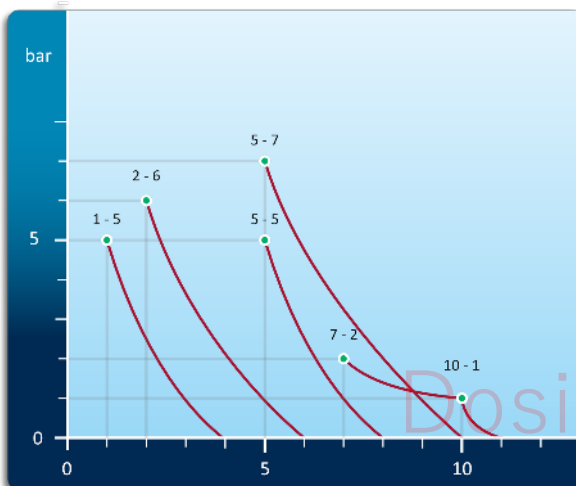
PKX FT/A	Version
PKX 30 028 01	0105
PKX 30 289 01	0206
PKX 30 039 01	0505
PKX 30 040 01	0702

### Technical Features

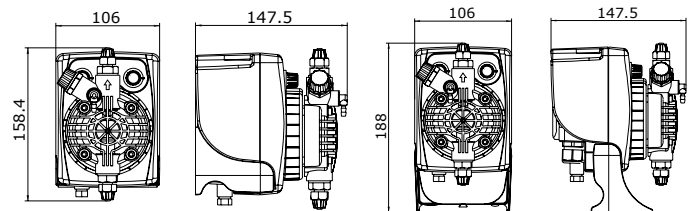
Version	Flow rate l/h (US Gal/h)	Pressure bar (psi)	Max Frequency imp/min	Injection Volume cc per stroke	Connections Int/Ext mm	Power supply
0105	1 (0.26)	5 - 72	120	0.14	4x6	230V - 50 - 60 Hz
0206	2 (0.53)	6 - 87	120	0.28	4x6	230V - 50 - 60 Hz
0505	5 (1.32)	5 - 72	120	0.69	4x6	230V - 50 - 60 Hz
0507*	5 (1.32)	7 - 101	120	0.69	4x6	230V - 50 - 60 Hz
0702	7 (1.84) 10 (2.64)	2 - 29 1 - 14	120	0.97	4x6	230V - 50 - 60 Hz

\*Only PKX MA/A

Pressure (bar) – Flow Rate (l/h) Chart



Overall Dimensions



## PP-FPM kit Up to 20 l/h

PP injection valve, PP foot filter, PVC suction tube and PE discharge tube.

2061002



# *DLX & DLXB Series*



The high reliability and the price competitiveness make the DLX series the best proposal in the dosing systems market. On request, DLXB (foot mounted) series can be supplied with stroke length control to manually adjust the dosing volume between 20-100%.

#### Common Features:

- Anti-acid plastic casing
- IP65 protection degree
- Up to 20 l/h and 20 bar
- Wall (DLX) and Foot mounted (DLXB):
- Standard pump head: PVDF body, PTFE diaphragm, ceramic balls, FPM sealings\*
- Power Supply: 220-240V - 120V (on request)
- Strokes frequency: 120 strokes/min (from 1l/h to 15l/h) - 150 strokes/m (20 l/h)
- CE (standard) and CSA certified (on request)

DosingPump.ir



# MA/AD

“Analogue dosing pump with manual flow rate regulation”

The DLX MA/AD model consists of series of manually controlled dosing pumps.

**General Features**

- Manual flow control
- Selectable regulation range: 0-20% or 0-100%
- Level sensor input (on request)



DLX MA/AD			DLXB MA/AD		
PP	PVDF	Version	PP	PVDF	Version
PLX 23 222 AA	PLX 23 222 SE	0115	PBX 23 222 AA	PBX 23 222 SE	0115
PLX 23 032 01	PLX 23 032 01	0220	PBX 23 032 01	PBX 23 032 01	0220
PLX 23 038 AA	PLX 23 038 SE	0507	PBX 23 038 AA	PBX 23 038 SE	0507
PLX 23 228 AA	PLX 23 228 SE	0810	PBX 23 228 AA	PBX 23 228 SE	0810
PLX 23 231 AA	PLX 23 231 SE	1504	PBX 23 231 AA	PBX 23 231 SE	1504
PLX 23 220 01	PLX 23 220 01	2003	PBX 23 220 01	PBX 23 220 01	2003



# MA/MB

“Digital dosing pump with manual flow rate regulation”

The DLX MA/MB model consists of a series of microcontroller metering pumps enabling digital manual regulation

**General Features**

- 7 segments display
- Digital manual flow rate adjustment via keypad
- Level input (supplied without probe)
- Flow sensor (also available w/o)



DLX MA/MB			DLXB MA/MB		
PP	PVDF	Version	PP	PVDF	Version
PLX 24 222 AA	PLX 24 222 SE	0115	PBX 24 222 AA	PBX 24 222 SE	0115
PLX 24 032 01	PLX 24 032 01	0220	PBX 24 032 01	PBX 24 032 01	0220
PLX 24 038 AA	PLX 24 038 SE	0507	PBX 24 038 AA	PBX 24 038 SE	0507
PLX 24 228 AA	PLX 24 228 SE	0810	PBX 24 228 AA	PBX 24 228 SE	0810
PLX 24 231 AA	PLX 24 231 SE	1504	PBX 24 231 AA	PBX 24 231 SE	1504
PLX 24 220 01	PLX 24 220 01	2003	PBX 24 220 01	PBX 24 220 01	2003



# VFT/MBB

“Volumetric digital solenoid dosing pump”

DLX VFT/MBB model consists of a series of metering pumps performing proportional dosing via a contact water meter

**General Features**

- 7 segments display
- Operating functions:
  - Digital manual flow rate adjustment from 0÷100% via keypad
  - Proportional dosing functions by reed water meter: 1xn; 1xn (m) 1:n;
- Manual air bleed pump head; from 5 l/h to 15 l/h automatic air bleed available on request
- Relay Output
- Level switch connector



DLX VFT/MBB			DLXB VFT/MBB		
PP	PVDF	Version	PP	PVDF	Version
PLX 39 222 AA	PLX 39 222 SE	0115	PBX 39 222 AA	PBX 39 222 SE	0115
PLX 39 032 01	PLX 39 032 01	0220	PBX 39 032 01	PBX 39 032 01	0220
PLX 39 038 AA	PLX 39 038 SE	0507	PBX 39 038 AA	PBX 39 038 SE	0507
PLX 39 228 AA	PLX 39 228 SE	0810	PBX 39 228 AA	PBX 39 228 SE	0810
PLX 39 231 AA	PLX 39 231 SE	1504	PBX 39 231 AA	PBX 39 231 SE	1504
PLX 39 220 01	PLX 39 220 01	2003	PBX 39 220 01	PBX 39 220 01	2003



# MF/M

## “Multifunction Digital solenoid dosing pump”

DLX MF/M model consists of a series of multi-function dosing pumps with a microprocessor and a liquid crystal display enabling an accurate injection pulses choice

### General Features

- Manual air bleed pump head; from 5 to 15l/h automatic air bleed available on request
- Daily and weekly timer programming (8 programmes/day)
- Operating functions:
  - ON/OFF proportional operating modes,
  - Proportional dosing functions by reed water meter: 1xn; 1xn (m) 1:n; PPM
  - Adjustable 0/4-20mA control
- Flow Sensor input (Alarm)
- Relay Output
- Level probe input
- Clock and Buzzer



DLX MF/M		Version	DLXB MF/M		Version
PP	PVDF		PP	PVDF	
PLX 17 222 AA	PLX 17 222 5E	0115	PBX 17 222 AA	PBX 17 222 5E	0115
PLX 17 032 01	PLX 17 032 01	0220	PBX 17 032 01	PBX 17 032 01	0220
PLX 17 038 AA	PLX 17 038 5E	0507	PBX 17 038 AA	PBX 17 038 5E	0507
PLX 17 228 AA	PLX 17 228 5E	0810	PBX 17 228 AA	PBX 17 228 5E	0810
PLX 17 231 AA	PLX 17 231 5E	1504	PBX 17 231 AA	PBX 17 231 5E	1504
PLX 17 220 01	PLX 17 220 01	2003	PBX 17 220 01	PBX 17 220 01	2003



# pH-Rx-Cl/M

## “Integrated Instrumental dosing pump”

DLX pH-Rx-Cl/M model consists of a series of micro-controller dosing pumps with pH, Rx (mV), free Chlorine control and regulation built-in instrument

### General Features

- Backlight LCD display
- ON/OFF or proportional operating modes
- pH - RX - Cl inputs. Measuring ranges: 0-14 pH; -1000mv to 1400mV; 0-2ppm; 0-20ppm; 0-200ppm; 0-2000ppm
- Manual air bleed pump head; from 5 l/h to 15 l/h automatic air bleed available on request
- Manual/Automatic Temperature compensation 0-100°C
- Basic and Full Menu
- Hysteresis
- Delay Setpoint setting
- Relay output
- 4 - 20 mA output
- Level probe input
- Proximity switch input
- Alarm setting



DLX pH-Rx-Cl/M		Version	DLXB pH-Rx-Cl/M		Version
PP	PVDF		PP	PVDF	
PLX 27 222 AA	PLX 27 222 5E	0115	PBX 27 222 AA	PBX 27 222 5E	0115
PLX 27 032 01	PLX 27 032 01	0220	PBX 27 032 01	PBX 27 032 01	0220
PLX 27 038 AA	PLX 27 038 5E	0507	PBX 27 038 AA	PBX 27 038 5E	0507
PLX 27 228 AA	PLX 27 228 5E	0810	PBX 27 228 AA	PBX 27 228 5E	0810
PLX 27 231 AA	PLX 27 231 5E	1504	PBX 27 231 AA	PBX 27 231 5E	1504
PLX 27 220 01	PLX 27 220 01	2003	PBX 27 220 01	PBX 27 220 01	2003



# pH-Rx/MBB

## “Integrated Instrumental dosing pump”

DLX pH-Rx/MBB model consists of a series of micro-controller dosing pumps with pH or Rx (mV), control and regulation built-in instrument.

### General Features

- Backlight LCD display
- Manual air bleed pump head; from 5 l/h to 15 l/h automatic air bleed available on request
- pH and RX inputs. Measuring ranges: 0-14 pH; -1000 to 1400mV;
- Manual (only) Temperature compensation 0 - 100°C
- ON/OFF or proportional operating modes
- Hysteresis
- Switching-on delay
- Level probe input
- Alarms setting



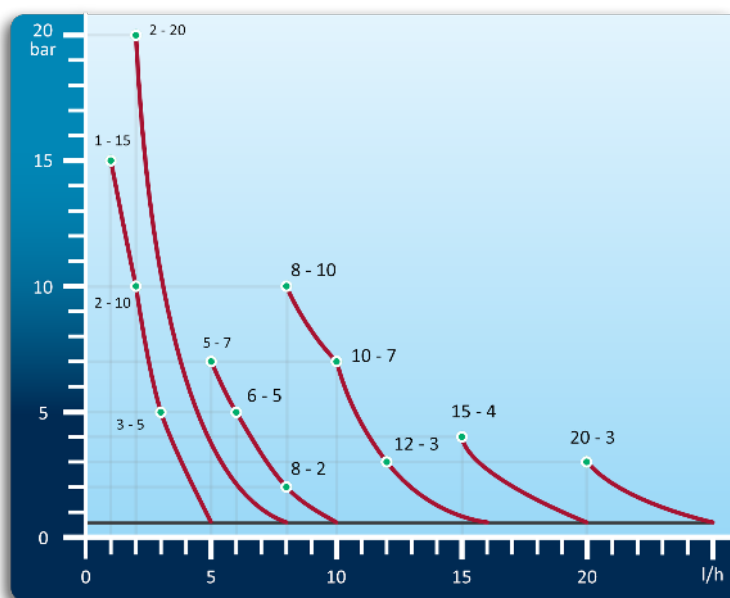
DLX pH-Rx/MBB		Version	DLXB pH-Rx/MBB		Version
PP	PVDF		PP	PVDF	
PLX 36 222 AA	PLX 36 222 5E	0115	PBX 36 222 AA	PBX 36 222 5E	0115
PLX 36 032 01	PLX 36 032 01	0220	PBX 36 032 01	PBX 36 032 01	0220
PLX 36 038 AA	PLX 36 038 5E	0507	PBX 36 038 AA	PBX 36 038 5E	0507
PLX 36 228 AA	PLX 36 228 5E	0810	PBX 36 228 AA	PBX 36 228 5E	0810
PLX 36 231 AA	PLX 36 231 5E	1504	PBX 36 231 AA	PBX 36 231 5E	1504
PLX 36 220 01	PLX 36 220 01	2003	PBX 36 220 01	PBX 36 220 01	2003

Dosing Pump

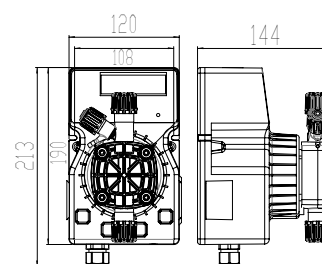
### Technical Features

Version	Flow rate	Pressure	Max Frequency	Injection Volume	Power supply	Power consumption	Net Weight
	l/h (US Gal/h)	bar (psi)	imp/min	cc per stroke		W	Kg
0115	1 (0.26)	15 (217)	120	0,14	230V - 50 - 60 Hz	37	2.3
	2 (0.53)	10 (145)		0,28			
	3 (0.78)	5 (72)		0,42			
0220	2 (0.53)	20 (290)	120	0,28	230V - 50 - 60 Hz	58	2.9
0507	5 (1.32)	7 (101)	120	0,69	230V - 50 - 60 Hz	37	2.3
	6 (1.59)	5 (72)		0,83			
	8 (2.12)	2 (29)		1,11			
0810	8 (2.12)	10 (145)	120	1,11	230V - 50 - 60 Hz	58	2.9
	10 (2.64)	7 (101)		1,39			
	12 (3.17)	3 (43)		1,67			
1504	15 (3.96)	4 (58)	120	2,08	230V - 50 - 60 Hz	58	2.9
2003	20 (5.26)	3 (43)	150	2,60	230V - 50 - 60 Hz	58	2.9

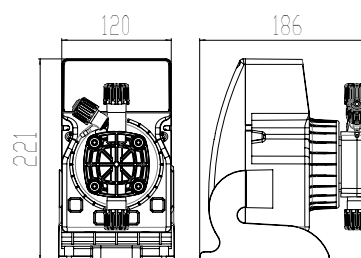
Pressure (bar) - Flow Rate (l/h) Chart



Overall Dimensions



DLX



DLXB



### PVDF-FPM kit 1-15 L

ALL DLX are supplied with a standard PVDF-FPM installation kit, made up of 2m discharge PE tube (4x6mm), 2m suction + 2m bleeding PVC crystal tube (4x6mm), PVDF foot-filter, PVDF injection valve. Other configurations are available upon request.

SCO 00300 02



### Stroke Length Adjustment

The Stroke Length Adjustment mechanism is available for DLXB foot mounting version only. The user can regulate the dosing pump stroke length from 20 to 100% by pressing and turning the dial up to the stroke length adjustment required. This way it is possible to adjust the quantity of product delivered for each injection, giving a more accurate dosing.

# BT SERIES



BT series metering pumps have an aluminium body and are wall mounted.

#### Common Features:

- Flow rate up to 80 L/H
- Operating pressure up to 20 bar
- Standard pump head: PVDF body, PTFE diaphragm, ceramic balls, FPM sealings\*
- 30 – 80 L/H pumps are supplied with PVC pump heads and accessories with fittings for 10×14 tubing
- The casing is in aluminium protected with two coats of epoxy paint
- Manual air bleed pump head; from 5 l/h to 15 l/h automatic air bleed available on request
- Control panel protection assured by a transparent poly-carbonate cover with gasket
- Level probe input
- IP65 protection degree
- Wall mounted
- Power Supply: 230 Vac 50-60 Hz
- On request power supply: 240 Vac 50-60 Hz; 110 Vac 50-60 Hz
- Strokes frequency: 160 impulses/minute maximum (5-20 L/H models only) - 180 impulses/minute maximum (30-80 L/H models only)
- CE (standard) and CSA certified (on request)

\*different configurations available upon request





# MA/AD

## “Heavy duty wall mounted Analogue Solenoid Dosing Pump”

The BT range is designed for larger Flow Rates (Up to 80 L/H)

### General Features

- Manual flow rate adjustment
- Dual scale adjustment: 0 – 20% & 0 – 100%



BT MA/AD		Version
PP	PVDF	
PBT 23 037 AA	PBT 23 037 5E	0510
PBT 23 198 01	PBT 23 198 01	0520
PBT 23 043 AA	PBT 23 043 5E	1010
PBT 23 046 01	PBT 23 046 01	2005
PBT 23 184 01	PBT 23 184 01	3004
PBT 23 190 01	PBT 23 190 01	5003
PBT 23 193 01	PBT 23 193 01	8001



# MA/M

## “Heavy duty wall mounted Digital Solenoid Dosing Pump”

The BT range is designed for larger Flow Rates (Up to 80 L/H)

### General Features

- Digital control
- Display: 7 segments
- Manual flow rate adjustment 0-100% via keypad



BT MA/AD		Version
PP	PVDF	
PBT 18 037 AA	PBT 18 037 5E	0510
PBT 18 198 01	PBT 18 198 01	0520
PBT 18 043 AA	PBT 18 043 5E	1010
PBT 18 046 01	PBT 18 046 01	2005
PBT 18 184 01	PBT 18 184 01	3004
PBT 18 190 01	PBT 18 190 01	5003
PBT 18 193 01	PBT 18 193 01	8001



# VFT

## “Heavy duty wall mounted Digital Solenoid Dosing Pump”

The BT range is designed for larger Flow Rates (Up to 80 L/H)

### General Features

- Backlight LCD display
- ON/OFF or proportional operating modes
- Proportional dosing modes: 1xn; 1xn (m) 1:n



BT VFT		Version
PP	PVDF	
PBT 04 037 AA	PBT 04 037 5E	0510
PBT 04 198 01	PBT 04 198 01	0520
PBT 04 043 AA	PBT 04 043 5E	1010
PBT 04 046 01	PBT 04 046 01	2005
PBT 04 184 01	PBT 04 184 01	3004
PBT 04 190 01	PBT 04 190 01	5003
PBT 04 193 01	PBT 04 193 01	8001





# *pH-Rx-Cl/M* “Heavy duty wall mounted Digital Solenoid Dosing Pump”

The BT range is designed for larger Flow Rates (Up to 80 L/H)

### General Features

- Digital manual flow rate adjustment 0-100%
- Proportional dosing modes: 0.00 – 14 pH; -1000/+1400 mV Redox; 0-2 / 0-20 / 0-200 ppm
- ON/OFF or proportional mode
- Daily and weekly timer (8 programmes/day)
- Output 4-20mA
- Relay Output
- Pt100 probe 0=100°C
- Proximity switch
- Alarm: Max – Min – Over
- Hysteresis
- Direct or Reverse Intervention
- Display: Backlighted



BT pH-Rx-Cl/M		Version
PP	PVDF	
PBT 27 037 AA	PBT 27 037 5E	0510
PBT 27 198 01	PBT 27 198 01	0520
PBT 27 043 AA	PBT 27 043 5E	1010
PBT 27 046 01	PBT 27 046 01	2005
PBT 27 184 01	PBT 27 184 01	3004
PBT 27 190 01	PBT 27 190 01	5003
PBT 27 193 01	PBT 27 193 01	8001



# *MF*

## “Heavy duty wall mounted Digital Solenoid Dosing Pump”

The BT range is designed for larger Flow Rates (Up to 80 L/H)

### General Features

- Digital manual flow rate adjustment 0-100%
- Proportional dosing modes: 1xn; 1xn (m) 1:n; PPM
- Daily and weekly timer (8 programmes/day)
- Adjustable 4-20mA
- Flow sensor input
- Relay Output

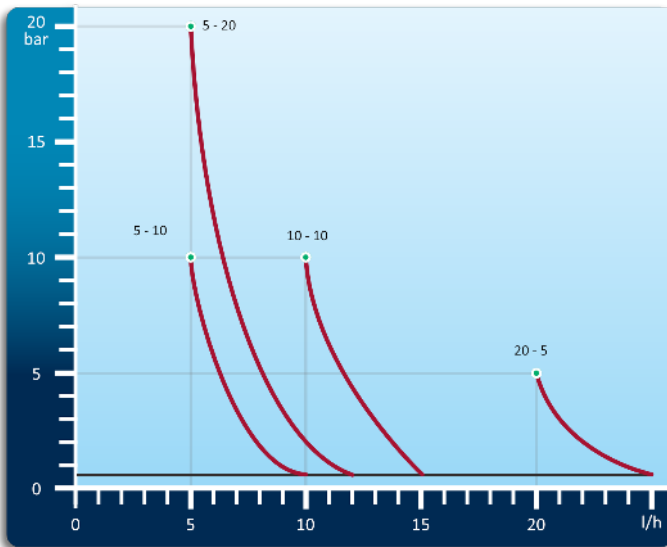


BT MF		Version
PP	PVDF	
PBT 17 037 AA	PBT 17 037 5E	0510
PBT 17 198 01	PBT 17 198 01	0520
PBT 17 043 AA	PBT 17 043 5E	1010
PBT 17 046 01	PBT 17 046 01	2005
PBT 17 184 01	PBT 17 184 01	3004
PBT 17 190 01	PBT 17 190 01	5003
PBT 17 193 01	PBT 17 193 01	8001

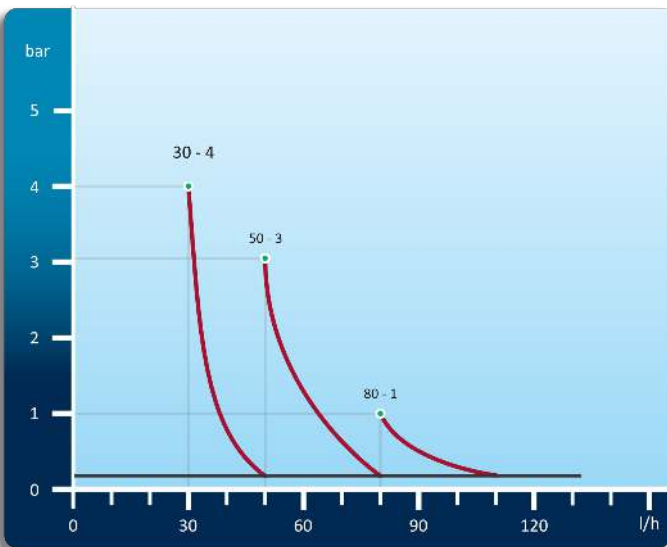
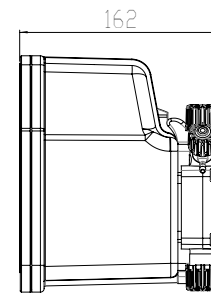
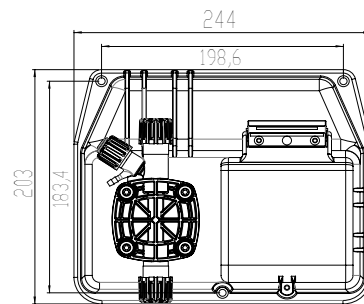
### Technical Features

Version	Flow rate	Pressure	Max Frequency	Injection Volume	Connections Int/Ext	Power supply
	l/h (US Gal/h)	bar (psi)	imp/min	cc per stroke	mm	
0510	5 (1.32)	10 (145)	160	0.52	4x6	230V - 50 - 60 Hz
0520	5 (1.32)	20 (290)	160	0.52	4x6	230V - 50 - 60 Hz
1010	10 (2.64)	10 (145)	160	1.04	4x6	230V - 50 - 60 Hz
2005	20 (5.28)	5 (72)	160	2.08	4x6	230V - 50 - 60 Hz
3004	30 (7.92)	4 (58)	180	2.80	10x14	230V - 50 - 60 Hz
5003	50 (13.20)	3 (43)	180	4.60	10x14	230V - 50 - 60 Hz
8001	80 (21.12)	1 (14)	180	7.40	10x14	230V - 50 - 60 Hz

Pressure (bar) – Flow Rate (l/h) Chart



Overall Dimensions



### PVDF-FPM kit 1-15 L

The BT are supplied with a standard PVDF-FPM installation kit, made up of 2m discharge PE tube (4x6mm), 2m suction + 2m bleeding PVC crystal tube (4x6mm), PVDF foot-filter, PVDF injection valve. Other configurations are available upon request.

SCO 00300 02

# eTWIN PDE SERIES



The eTwin is a compact, easy-to-use device consisting of two dosing pumps with dual parameter controllers designed to measure pH, Redox and Chlorine plus the temperature. Mainly conceived for wet leisure and light industry, these dosing pumps are available either in peristaltic and solenoid versions.

On request the device could be equipped with complete calibration kit, including sensors and mounting accessories.

#### Common Features:

- Over dosing alarm
- Power supply: 90-250V 50-60Hz\*;
- PP Pump head
- O-Ring: Viton®
- Valves: Ceramic
- Supplied with complete installation kit: Suction hose: PVC Cristal®; Discharge hose: Polyethylene
- Level control, alarm output relay
- Three relays selectable by the user, set-point (measures + temperature) and timer
- Anti-acid plastic box, backlighted graphic display, wall mounting, IP65 protection degree, complete installation kit (injection valves, foot filters, suction/delivery tubes).



# *pH/pH* "Dosing and Regulation System for two parameters"

## General Features

- Backlighted graphic display, 5 keys keypad
- 3 relays selectable: timer mode (weekly/daily) or as an additional set-point (including temperature)
- 3 programming menus: set-point, calibration, settings
- Measurement range: pH 0 - 14; Temperature 0 - 100 °C (Pt 100)
- Inputs: level probes; flow sensor; Pt 100 probe; proximity switch
- Manual dosing (ON-OFF), 0 - 120 pulses/minute
- Proportional dosing by self-regulation of the stroke frequency
- Flow rate up to 5 l/h and pressure up to 6 bar
- Hysteresis
- Activation delay when switched on
- 1 additional relay dedicated to alarm signals
- 4-20mA output fully programmable



eTwin pH-pH		Version
PP	PVDF	
CXB 801 03 AA	CXB 801 03 01	0206
CXB 801 13 AA	CXB 801 13 01	0505



# *pH/Rx* "Dosing and Regulation System for two parameters"

## General Features

- Backlit graphic display, 5 keys keypad
- 3 relays completely selectable: on timer mode (weekly/daily) or as an additional set-point (including the temperature)
- 3 programming menus: set-point, calibration, settings
- Measurement range: pH 0 ÷ 14; Redox: - 1000 / + 1400 mV; Temperature 0 - 100 °C (PT100)
- Inputs: level probes; flow sensor; PT100 probe; proximity switch
- Manual dosing (ON-OFF) 0 ÷ 120 pulses/minute
- Proportional dosing by self-regulation of the stroke frequency
- Flow rate up to 5 l/h and pressure up to 6 bar
- Hysteresis
- Activation delay when switched on
- 1 additional relay dedicated to alarm signals
- 4-20mA output fully programmable



eTwin pH-Rx		Version
PP	PVDF	
CXB 801 01 AA	CXB 801 01 01	0206
CXB 801 11 AA	CXB 801 11 01	0505



# *Cl/pH* "Dosing and Regulation System for two parameters"

## General Features

- Backlighted graphic display, 5 keys keypad
- 3 relays completely selectable: on timer mode (weekly/daily) or as an additional set-point (including the temperature)
- 3 programming menus: set-point, calibration, settings
- Measurement range: PPM: 0 - 2; 0 - 10, 0 - 20 and 0 - 200 ppm; pH 0 ÷ 14; Temperature 0 - 100 °C (PT100)
- Inputs: level probes; flow sensor; PT100 probe; proximity switch
- Manual dosing (ON-OFF) 0 ÷ 120 pulses/minute
- Proportional dosing by self-regulation of the stroke frequency
- Flow rate up to 5 l/h and pressure up to 6 bar
- Hysteresis
- Activation delay when switched on
- 1 additional relay dedicated to alarm signals
- 4-20mA output fully programmable



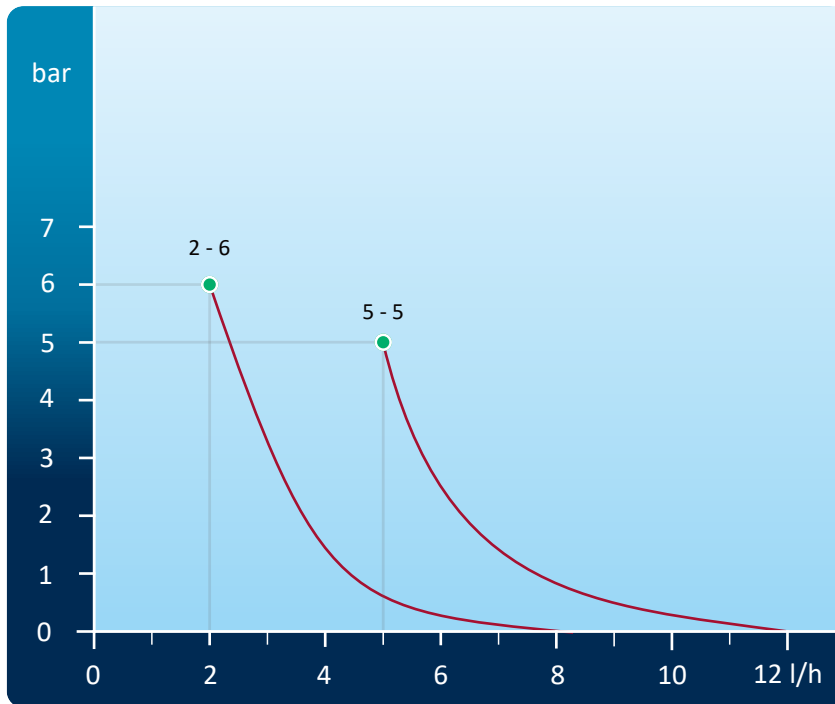
eTwin Cl-pH		Version
PP	PVDF	
CXB 801 02 AA	CXB 801 02 01	0206
CXB 801 12 AA	CXB 801 12 01	0505

DosingPump.ir

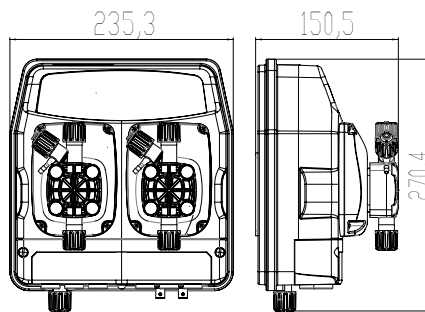
**Technical Features**

Version	Flow rate	Pressure	Max Frequency	Power supply	Power consumption	Net Weight
	l/h (US Gal/h)	bar (psi)	imp/min		Min/Max (W)	Kg
0206	2 (0.53)	6 (87)	120	230V - 50 - 60 Hz	65	3,5
0505	5 (1.32)	5 (72)	120	230V - 50 - 60 Hz	65	3,5

**Pressure (bar) – Flow Rate (l/h) Chart**



**Overall Dimensions**





***PP-FPM kit***  
***Up to 20 l/h***

PP injection valve, PP foot filter, PVC suction tube and PE discharge tube.

DosingPump.ir

2061002

# COMPLETE PUMP HEADS



## PP MANUAL AIR BLEED PUMP HEAD 1-15 l/h

Standard manual air bleed PP pump head. Connections for tube 4x6.

Lip valves	
*FPM (Viton*)	SCP 00030 02
EPDM (Dutral*)	SCP 00030 06

\*PKX default part



## PVC 20 BAR

Std pump head (PVC), 20 BAR for DLX(B)-BT 2 - 5 l/h. Connections for tube 4x6.

Lip valves	
FPM (Viton*)	208 3079
EPDM (Dutral*)	208 3085

\*without manual air bleed



## 20L PP

Std pump head (PP), 20 litres for DLX(B)-BT 20 L/H - 3 BAR and 5 BAR. Connections for tube 4x6.

Lip valves	
*FPM (Viton*)	208 3148
*EPDM (Dutral*)	208 3150
Ceramic ball valves	
FPM (Viton*)	208 3160
EPDM (Dutral*)	208 3262

\*without manual air bleed



## PVC 30L - 50L - 80L

Pump head without manual air bleed. Connections for tube 10x14.

Lip valves	
*FPM (Viton*)	SCP 00003 52
EPDM (Dutral*)	SCP 00003 56
Ceramic ball valves	
**FPM (Viton*)	SCP 00003 68
EPDM (Dutral*)	SCP 00003 66

\*Standard for 30L pumps

\*\* Standard for 50-80L pumps



## PVDF MANUAL AIR BLEED PUMP HEAD 1-15 l/h

Manual air bleed PVDF pump head. UP TO 15 BAR

Ceramic ball valves	
*FPM (Viton*)	SCP 80068 51
TFE/P	SCP 80068 71
EPDM (Dutral*)	SCP 80068 61

\*Default

Max Pressure - 15 bar



## PVDF AUTOMATIC AIR BLEED PUMP HEAD 5-15 l/h

This design pump head enables the automatic bleed off of gas generated by gaseous liquids - 5 - 15 l/h.

Ceramic ball valves PVDF	
FPM (Viton*)	SCP 80169 51
TFE/P	SCP 80169 71
EPDM (Dutral*)	SCP 80169 61
Ceramic ball valves PVDF and diaphragms	
FPM (Viton*)	KCP 80169 51
TFE/P	KCP 80169 71
EPDM (Dutral*)	KCP 80169 61

Max Pressure - 12 bar



## PLEXIGLAS®

Plexiglas® pump head for high viscous chemicals, supplied with Stainless Steel ball valves. Connections for tube 10x14 1" Gm.

Steel ball valves	
2-15 l/h (10x14)	SCP 00022 04
20 l/h (10x14)	SCP 00023 04
30-50-80 l/h (1" GM)	SCP 00024 04

Upon request: Ball check valves in Ceramic.



## PVDF MANUAL AIR BLEED PUMP HEAD eONE/eTWIN

Std pump head eOne and eTwin, 1-15 l/h. Connections for tube 4x6 and 6x8.

Ceramic ball valves	
1-15 l/h TFE/P	SCP 81054 71
1-15 l/h FPM	SCP 81054 51
1-15 l/h EPDM	SCP 81054 61
Kit 10 pieces	
1-15 l/h TFE/P	KCP 81054 71



## PVDF MANUAL AIR BLEED PUMP HEAD eONE

Std pump head eOne 20-30 l/h. Connections for tube 4x6 and 6x8.

Ceramic ball valves	
*20-30 l/h TFE/P	SCP 80068 71
20-30 l/h FPM	SCP 80068 51
20-30 l/h EPDM	SCP 80068 61

\*Default

Prices apply for spare parts only



## 1-15 l/h PVDF AUTOMATIC AIR BLEED PUMP HEAD eONE/eTWIN

Pump housing with automatic bleeding. The application of this type of head involves a reduction in the scope of the apparatus in the range between 10 ÷ 20%, compared to the configuration with the pump body manual purge. Connections for tube 4x6 and 6x8.

Ceramic ball valves	
TFE/P	SCP 80154 71
FPM	SCP 80154 51
EPDM	SCP 80154 61

DosingPump.ir



# ACCESSORIES

*For Solenoid Dosing Pumps*



## INSTALLATION KIT

Injection valve, foot filter and PVC/PE tube kit.



PP - CER	
4x6 FPM (Viton*)	SCO 00300 02
4x6 EPDM (Dutral*)	SCO 00300 12
6x8 FPM (Viton*)	SCO 00310 02
6x8 EPDM (Dutral*)	SCO 00310 12
10x14 FPM (Viton*)	SCO 00320 02
10x14 EPDM (Dutral*)	SCO 00320 12

PVDF - CER (PVC/PE tube)	
4x6 FPM (Viton*)	SCO 00300 01
4x6 EPDM (Dutral*)	SCO 00300 11
4x6 TFE/P	SCO 00300 22
6x8 FPM (Viton*)	SCO 00310 01
6x8 EPDM (Dutral*)	SCO 00310 11
6x8 TFE/P	SCO 00310 21
10x14 FPM (Viton*)	SCO 00320 01
10x14 EPDM (Dutral*)	SCO 00320 11
10x14 TFE/P	SCO 00320 21

## INSTALLATION KIT

Standard FPM/ EPDM kit supplied with pumps up to 20 l/h: 2 m discharge polyethylene tube (4x6mm), 2+2m suction + bleeding PVC crystal tube (4x6mm). Standard FPM/ EPDM kit supplied with pumps from 30 to 80l/h: 2 m discharge polyethylene tube (10x14mm), 2m suction PVC crystal tube (10x14mm).



up to 20 l/h	
FPM (Viton*)	206 1002
EPDM (Dutral*)	206 1005

from 30 to 80 l/h	
FPM (Viton*)	SCO 00016 01
EPDM (Dutral*)	SCO 00016 02

## PVC SUCTION LANCE

Adjustable height suction lance with foot valve/filter and float switch. Lock nut. The suction lance for eOne model is supplied without a connector.



TFE/P - EONE (without connector)	
tube 4x6 - 35 cm	SSO 00008 75
tube 4x6 - 60 cm	SSO 00008 71
tube 4x6 - 80 cm	SSO 00008 72
tube 4x6 - 100 cm	SSO 00008 73
tube 4x6 - 130 cm	SSO 00008 74

FPM (Viton*)	
tube 4x6 - 35 cm	SSO 00008 05
tube 4x6 - 60 cm	SSO 00008 01
tube 4x6 - 80 cm	SSO 00008 02
tube 4x6 - 100 cm	SSO 00008 03
tube 4x6 - 130 cm	SSO 00008 04
tube 10x14 - 100 cm	SSO 00006 01
tube 10x14 - 130 cm	SSO 00006 04
tube 10x14 - 150 cm	SSO 00006 05

EPDM (Dutral*)	
tube 4x6 - 35 cm	SSO 00008 15
tube 4x6 - 60 cm	SSO 00008 11
tube 4x6 - 80 cm	SSO 00008 12
tube 4x6 - 100 cm	SSO 00008 13
tube 4x6 - 130 cm	SSO 00008 14
tube 10x14 - 100 cm	SSO 00006 11
tube 10x14 - 130 cm	SSO 00006 14
tube 10x14 - 150 cm	SSO 00006 15

## EXTRACTABLE INJECTION LANCE

This product allows the injection of the additive to a maximum distance of 20 cm from the attachment point on the main pipe, 1/2" GM connection, for 4x6 tube, maximum flow rate 20 l/h, pressure max. 10 bar. Dosing at certain distance from the inner wall of metal tubes reduces the risk of corrosion.



(10 bar) PVDF with Valve - Connection - 1/2"	
FPM (Viton*)	SSO 14310 01
EPDM (Dutral*)	SSO 14310 11
TFE/P	SSO 14310 21
(10 bar) PVDF - Connection - 1/2"	
FPM (Viton*)	SSO 04310 01
EPDM (Dutral*)	SSO 04310 11
TFE/P	SSO 04310 21

## SIGNAL SPLITTER

Signal Splitter to connect two proportional dosing pumps to one water meter.



Signal Splitter	
SCA 00171 12	

## INJECTION VALVE

Injection valve for 4x6 mm tubes. Connection Kit Gc 1/2", Gc 3/8" and M10, for 4x6, 6x8 and 10x14 tube with PVDF spring.



PP - CER ( from 1 to 140 l/h)	
FPM (Viton*) 1 piece	SVA 00300 02
FPM (Viton*) 10 pieces	KVA 00300 02
EPDM (Dutral*) 1 piece	SVA 00300 12
EPDM (Dutral*) 10 pieces	KVA 00300 12

PVDF - CER ( from 1 to 140 l/h)	
FPM (Viton*) 1 piece	SVA 00300 01
FPM (Viton*) 10 pieces	KVA 00300 01
EPDM (Dutral*) 1 piece	SVA 00300 11
EPDM (Dutral*) 10 pieces	KVA 00300 11
TFE/P - 1 piece	SVA 00300 21
TFE/P - 10 pieces	KVA 00300 21

## pH/Rx PUMP ACCESSORIES



pH (buffer solution 7-9) ePool-eTwin-eOne	SCO 00030 01
pH (buffer solution 4-7) ePool-eTwin-eOne	SCO 00030 05
pH (buffer solution 4-7-9) DLX/BT	SCO 00035 01
Rx (buffer solution 650 mV) ePool-eTwin-eOne	SCO 00030 02
Rx (buffer solution 650 mV) DLX/BT	SCO 00035 02

### FLOATING LEVEL SWITCH



Floating level switch complete with plastic support to be linked to the foot filter provided with the pumps. Foot filter weight permits adjustment of the floating switch to the desired height inside the chemical tank.

Floating level switch complete with plastic support	
with connector	SSO 00004 02
without connector (eOne)	SSO 01035 02

### FOOT FILTERS



Foot filter with ceramic ball valve supplied with pump accessories with connection 4x6, 6x8 and 10x14 tube. Included with plastic support for floating level switch.

PP - check valve (from 1 to 140 l/h)	
FPM (Viton®) 1 piece	SFT 00300 02
FPM (Viton®) 10 pieces	KFT 00300 02
EPDM (Dutral®) 1 piece	SFT 00300 12
EPDM (Dutral®) 10 pieces	KFT 00300 12

PVDF - check valve (from 1 to 140 l/h)	
FPM (Viton®) 1 piece	SFT 00300 01
FPM (Viton®) 10 pieces	KFT 00300 01
EPDM (Dutral®) 1 piece	SFT 00300 11
EPDM (Dutral®) 10 pieces	KFT 00300 11
TFE/P - 1 piece	SFT 00300 21
TFE/P 10 pieces	KFT 00300 21

### CONVERSION KIT



Conversion kit for integrated level sensor

Conversion kit	
PVDF without connector (eOne)	KFT 00006 01
PVDF with connector	KFT 00006 11

### FOOT FILTER WITH LEVEL SWITCH



Foot Filter with ceramic ball valve, complete with level sensor

PP body, FPM seals, with connector	SFT 01300 02
PP body, EPDM seals, with connector	SFT 01300 12
PVDF body, FPM seals, with connector	SFT 01300 01
PVDF body, EPDM seals, with connector	SFT 01300 11
PVDF body, TFE seals, with connector	SFT 01300 21
PVDF body, TFE seals, without connector (eOne)	SFT 01300 23

### PVC REDUCTION NIPPLE



Reduction nipple 1/2" GM to 3/8" GF.

PVC Reduction nipple	
Kit 10 pieces	KRA 00058 01

### SUPPORT BRACKET



Stainless steel support bracket for wall or foot mounting for DLXB; HD; BT; BTB; pump series. Polyethylene (PE) support bracket for foot mounted DLX; eOne.

Support	
DLXB - BTB (2mm)	DSU 00050 01
DLXB -BTB (3mm)	DSU 00050 02
HD-BT	403 2033
DLX - eOne	ASU 00065 01

### CONNECTORS DLX KIT



Level, meter connectors, service output and relay for DLX.

Connector Kit		
DLX Level and meter connectors	10 pieces	KCN 00012 01
DLX Service output or relay	5 pieces	KCN 00013 01



### FLOW SENSOR

Flow Sensor with PVDF PTFE stir bar for eOne dosing pumps with flow rates up to 30 l/h and for BT MA/M, BT MF, DLX(B) MF/M with flow rates up to 20 l/h. Connections for tube 4x6 and 6x8.  
Flow sensor with PVC PTFE stir bar for dosing pumps BT MA/M and BT MF, 30 - 50 - 80 l/h.

Flow sensor	
PVDF - TFE/P per eOne	SSN 00012 01
PVDF - TFE/P - DLX/BT with connector	SSN 00012 21
PVC - FPM 30 - 50 - 80 l/h	SSN 00010 01



### RELIEF VALVE

Overflow valve, PVC body, PTFE diaphragm. Manual adjustment of opening back pressure. Threaded connections 3/8 "G.F.

Hose nipples kit (2 pump head nipples + 2 hose nuts + 2 o-rings).

Relief valve (250 l/h)	
PVC-PTFE-EPDM (Dutral*)	AVA 00101 01

Hose nipples kit	
4x6 PP - FPM	KRA 00053 01
4x6 PVDF - FPM	KRA 00053 11
10x14 PP - FPM	KRA 00054 01



### PULSATION DAMPENER

Pulsation dampener, PVC configuration, FPM and EPDM diaphragm, 3/8" gas connection, max pressure 10 bar, volume 0,05 L.

Pulsation dampener	
FPM Membrane	APL 00003 01
EPDM Membrane	APL 00003 02



### CALIBRATION CYLINDER

100ml plastic graduated calibration cylinder with bypass PP-PVC

Calibration Cylinder	
4x6	SCG 00004 01
6x8	SCG 00004 02



### CARBOY BUND

High-density polyethylene bund for standard carboys. Provides containment and safety with a maximum capacity of 40L. Can be supplied with a dosing pump mounted to create a dosing unit.

Carboy Bund	
ACA 00024 01	



### SOLAR PANEL DOSING SYSTEM

Dosing system for water treatment plants located in areas where electrical power supply is not available (mountain water sources, remotes area, etc.). The solar panel dosing unit is made up of the following components: solar panel - control unit 12/24Vdc - battery 12Vdc.

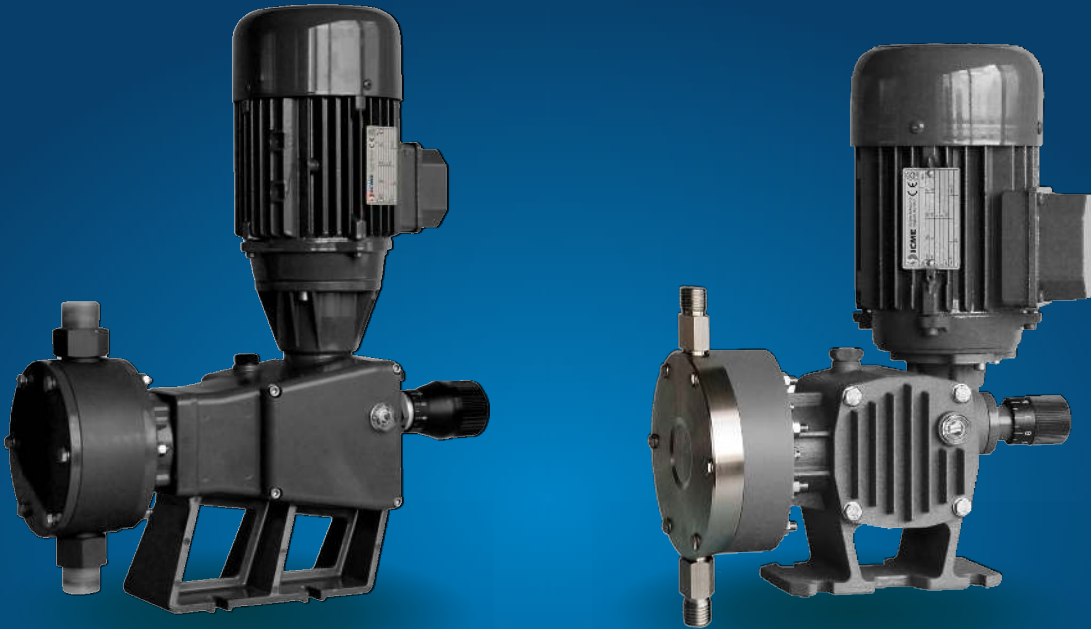
Version	Flow rate l/h (US Gal/h)	Pressure bar (psi)
0205	2 (0.53)	5 (72)
0303	3 (0.78)	3 (43)
0502	5 (1.32)	2 (29)

Description	
100 W	KPQ 0000 801
145 W	KPQ 0000 601

100 W	
Battery 100 Ah	ABQ 0000 301
Control unit 10 A	ACQ 0000 301
Solar Panel 80 W	APQ 0000 401

145 W	
Battery 120 Ah	ABQ 0000 201
Control unit 20 A	ACQ 0000 202
Solar Panel 150 W	APQ 0000 301

# MOTOR PUMPS



These are compact and reliable Motor Driven Dosing Pumps which operate using a spring return mechanism and a high torque electric motor. This drives a forward stroke via a worm gear and eccentric mechanism with a robust gearbox reduction system ensuring high quality, reliable and repeatable performance.

They are designed to ensure easy maintenance allowing minimal down time, saving on lost system process time. PTFE diaphragms ensure chemical compatibility with any dosed chemicals. Manual stroke adjustment and optional 4-20 mA automatic capacity control.

Common features:

- Diaphragm pumps with flow rates from 10 - 1000 l/h
- Piston pumps for higher pressure applications up to 30 bar
- Pump head materials of PP, PVDF, PVC AISI-316 (Stainless Steel)
- Manual control 10-100% and 4-20 mA control via actuator
- Single-phase 240 V and Three-Phase 400 V
- Tropicalisation and ATEX zoning build options



# ST-D

## “Membrane motor-driven dosing pumps”

The metering pumps ST-D series are driven by an electric motor, the dosage takes place thanks to a PTFE membrane. The ST-D series pumps make their robustness and reliability their main characteristic.

### General Features

- Frequency: from 60 to 120 strokes/min at 50Hz - from 72 to 144 strokes/min at 60Hz
- Die-cast aluminium housing protected by epoxy/anti-acid paint
- Max Flow Rate: 123 l/h at 50Hz - 148 l/h at 60Hz
- Standard Power Supply: 230-400V phases 50/60Hz
- Max Pressure: 14 bar
- Motor: 0.18 kW
- Pump head: PP, PVC, SS316 or PVDF
- Valves: balls in ceramic or SS316L
- Ball seats FPM, EPDM or NBR
- Valve seats in PVC or PVDF
- Membrane in PTFE
- IP55 protection degree
- F insulation class

### On request

ST-D pumps series can be equipped with

### Motorizations:

- Without motor • UL/CSA motor certification • Single-phase motor • Self-ventilated motor
- ATEX motor • Tropicalized motor

### Hydraulic:

- NPT hydraulic connections • Larger dimensions valves

### Regulation and control by an external signal:

- Electric actuator (automatic adjustment of piston “run” by a 4-20mA signal) • Inverter (automatic adjustment of motor speed by a 4-20mA signal)

Code	Flow rate	Delivery Head AISI
	l/h (US Gal/h)	bar (psi)
AD0016AA00100	16 (4,23)	14 (203)
AD0033AA00100	33 (8,72)	14 (203)
AD0030AA00100	30 (7,92)	11 (160)
AD0060AA00100	60 (15,85)	11 (160)
AD0061AA00100	61 (16,12)	7 (102)
AD0123AA00100	123 (32,50)	6 (87)
AD300AA00A000	300 (79,26)	5 (72)

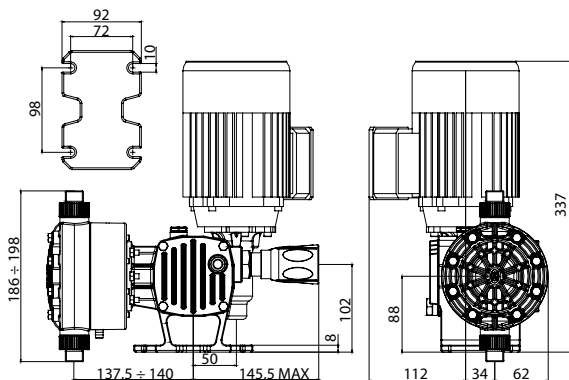
Code	Flow rate	Delivery Head PVC
	l/h (US Gal/h)	bar (psi)
AD300BA00A000	300 (79,26)	5 (72)

Code	Flow rate	Delivery Head PP
	l/h (US Gal/h)	bar (psi)
AD0016CA00100	16 (4,23)	14 (203)
AD0033CA00100	33 (8,72)	14 (203)
AD0030CA00100	30 (7,92)	11 (160)
AD0060CA00100	60 (15,85)	11 (160)
AD0061CA00100	61 (16,12)	7 (102)
AD0123CA00100	123 (32,50)	6 (87)

### Technical Features

Model	Flow rate l/h (US Gal/h)		Delivery Head bar (psi) AISI		Delivery Head bar (psi) PP		Strokes/min		Stroke length mm	Ø Diaphragm mm	Power kW	Valves
	50 Hz	60 Hz	50 Hz	60 Hz	50 Hz	60 Hz	50 Hz	60 Hz				
	mm	mm	mm	mm	mm	mm	mm	mm				
AD0016	16 (4,23)	19 (5,07)	14 (203)	14 (203)	14 (203)	14 (203)	60	72	4	50	0,18	1/2" Gm
AD0033	33 (8,72)	40 (10,46)	14 (203)	12 (174)	14 (203)	12 (174)	120	144	4	50	0,18	1/2" Gm
AD0030	30 (7,92)	36 (9,51)	11 (160)	11 (160)	11 (160)	11 (160)	60	72	4	67	0,18	1/2" Gm
AD0060	60 (15,85)	72 (19,02)	11 (160)	10 (145)	11 (160)	10 (145)	120	144	4	67	0,18	1/2" Gm
AD0061	61 (16,12)	73 (19,34)	7 (102)	6,5 (94)	7 (102)	6,5 (94)	60	72	4	85	0,18	1/2" Gm
AD0123	123 (32,50)	148 (39,00)	6 (87)	5 (72)	6 (87)	5 (72)	120	144	4	85	0,18	1/2" Gm

### Overall Dimensions



### Pump Head configurations

#### Standard

Version	Head	Connections	Membrane	Valve Seats	Balls	Ball Seats
AA	SS316L	SS316L	PTFE	PVDF	SS316L	NBR
CA	PP	PP	PTFE	PVC	Ceramic	FPM

#### On Request

Version	Head	Connections	Membrane	Valve Seats	Balls	Ball Seats
AP	SS316L	SS316L	PTFE	PVDF	SS316L	FPM
AI	SS316L	SS316L	PTFE	PVDF	SS316L	EPDM
BA	PVC	PVC	PTFE	PVC	Ceramic	FPM
BI	PVC	PVC	PTFE	PVC	Ceramic	EPDM
CI	PP	PP	PTFE	PVC	Ceramic	EPDM
SA	PVDF	PVDF	PTFE	PVDF	Ceramic	FPM
SI	PVDF	PVDF	PTFE	PVDF	Ceramic	EPDM

DosingPump.ir





# ST-P

## “Plunger Piston Motor-driven pumps”

The metering pumps ST-P series are driven by an electric motor, the dosage takes place thanks to a piston. The ST-P series pumps make their robustness and reliability their main characteristic.

### General Features

- Working Frequency: from 60 to 120 strokes/min at 50Hz - from 72 to 144 strokes/min at 60Hz
- Die-cast aluminum housing protected by epoxy/antiacid paint
- Max Flow Rate: 190 l/h at 50Hz - 114 l/h at 60Hz
- Standard Power Supply: 230-400V 3phases 50/60Hz
- Pump Head: PVC, SS316L or PVDF
- Valves: Balls in ceramic or SS316L
- Ball seats: FPM, EPDM or NBR
- Valve seats in PVC or PVDF
- Piston in SS316 or Ceramic
- Piston seals NBR, FPM or EPDM
- Max Pressure: 20 bar
- Motor: 0.18 kW
- IP55 protection degree
- F insulation class

Code	Flow rate		Delivery Head AISI
	l/h (US Gal/h)		bar (psi)
AP0011AA00100	11 (2,91)		20 (290)
AP0022AA00100	22 (5,81)		20 (290)
AP0039AA00100	39 (10,30)		13,5 (196)
AP0077AA00100	77 (20,34)		10 (145)
AP0095AA00100	95 (25,10)		4.5 (65)
AP0190AA00100	190 (50,20)		3.5 (51)

Code	Flow rate		Delivery Head PVC
	l/h (US Gal/h)		bar (psi)
AP0011BA00100	11 (2,91)		10 (145)
AP0022BA00100	22 (5,81)		10 (145)
AP0039BA00100	39 (10,30)		10 (145)
AP0077BA00100	77 (20,34)		10 (145)
AP0095BA00100	95 (25,10)		4.5 (65)
AP0190BA00100	190 (50,20)		3.5 (51)

### On request

ST-D pumps series can be equipped with

### Motorizations:

- Without motor • UL/CSA motor certification • Single-phase motor • Self-ventilated motor
- ATEX motor • Tropicalized motor

### Hydraulic:

- NPT hydraulic connections • Larger dimensions valves

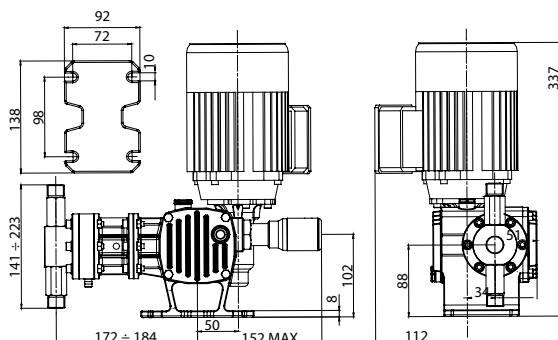
### Regulation and control by an external signal:

- Electric actuator (automatic adjustment of piston “run” by a 4-20mA signal) • Inverter (automatic adjustment of motor speed by a 4-20mA signal)

### Technical Features

Model	Flow rate l/h (US Gal/h)		Delivery Head bar (psi) AISI		Delivery Head bar (psi) PVC		Strokes/min		Stroke length mm	Ø Diaphragm mm	Power kW	Valves
	50 Hz	60 Hz	50 Hz	60 Hz	50 Hz	60 Hz	50 Hz	60 Hz				
AP0011 AP0022	11 (2,91) 22 (5,81)	13 (3,49) -	20 (290) 20 (290)	20 (290) -	10 (145) 10 (145)	10 (145) -	60 120	72 -	15 15	16	0,18	1/2" Gm
AP0039 AP0077	39 (10,30) 77 (20,34)	47 (12,36) -	13,5 (196) 10 (145)	11 (157) -	10 (145) 10 (145)	10 (145) -	60 120	72 -	15 15	30	0,18	1/2" Gm
AP0095 AP0190	95 (25,10) 190 (50,20)	114 (30,12) -	4,5 (65) 3,5 (51)	4 (58) -	4,5 (65) 3,5 (51)	4 (58) -	60 120	72 -	15 15	48	0,18	3/4" Gm

### Overall Dimensions



### Pump Head configurations

#### Standard

Version	Head	Connections	Piston	Piston Seals	Valve Seats	Balls	Ball Seats
AA	SS316L	SS316L	SS316L	NBR	PVDF	SS316L	NBR
CA	PVC	PVC	PTFE	Ceramic	PVC	Ceramic	FPM

#### On Request

Version	Head	Connections	Piston	Piston Seals	Valve Seats	Balls	Ball Seats
AP	SS316L	SS316L	SS316L	FPM	PVDF	SS316L	FPM
AI	SS316L	SS316L	SS316L	EPDM	PVDF	SS316L	EPDM
BA	PVC	PVC	Ceramic	FPM	PVC	Ceramic	FPM
BI	PVC	PVC	Ceramic	EPDM	PVC	Ceramic	EPDM
SA	PVDF	PVDF	Ceramic	FPM	PVDF	Ceramic	FPM
SI	PVDF	PVDF	Ceramic	EPDM	PVDF	Ceramic	FPM

DosingPump.ir



# D

## “Diaphragm motor-driven dosing pumps”

The metering pumps **D series** are driven by an electric motor, the dosage takes place thanks to a NBR/PTFE (material in contact with the liquid) diaphragm. The **D series** pumps make their robustness and reliability their main characteristic.

### General Features

- Valves: Single ball with SS316L pump head - Double balls with PVC pump head
- Frequency: 60, 103 and 120 strokes/min at 50Hz - 72 and 122 strokes/min at 60Hz
- Diaphragm in NBR/PTFE - PTFE material in contact with the chemical
- Die-cast aluminium housing protected by epoxy/anti-acid paint
- Max Flow rate: 535 l/h at 50Hz - 574 l/h at 60Hz
- Standard Power Supply: 230-400V 3phases 50Hz
- Motor: 0.25 or 0.37 kW
- Pump Head: PVC, SS316L or PVDF
- Max Pressure: 12 bar
- Balls: ceramic or SS316L
- Ball seats FPM, EPDM or NBR
- Valves seats in PVC or PVDF
- IP55 protection degree
- Insulation class: F

### On request

D pumps series can be equipped with

### Motorizations:

- Without motor • UL/CSA motor certification • Single-phase motor • Self-ventilated motor • ATEX motor
- Tropicalized motor

### Hydraulic:

- NPT hydraulic connections • Larger dimensions valves

### Regulation and control by an external signal:

- Electric actuator (automatic adjustment of piston “run” by a 4-20mA signal) • Inverter (automatic adjustment of motor speed by a 4-20mA signal)

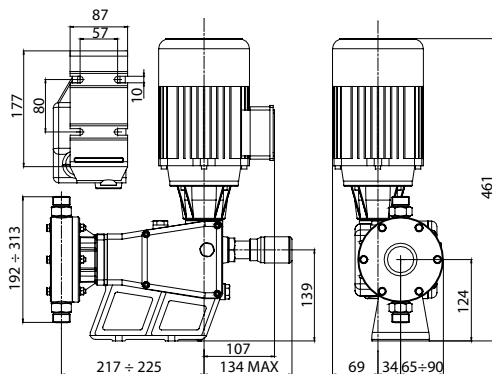
Code	Flow rate		Delivery Head AISI	
	l/h (US Gal/h)		bar (psi)	
BD0079AA00000	79 (20,87)		12 (174)	
BD0135AA00000	135 (35,67)		10 (145)	
BD0158AA00000	158 (41,74)		8 (116)	
BD0150AA00000	150 (39,63)		7,5 (109)	
BD0257AA00000	257 (67,90)		6 (87)	
BD0300AA00000	300 (79,26)		5 (73)	
BD0278AA00000	278 (73,45)		3,5 (51)	
BD0478AA00000	478 (126,3)		2,5 (36)	
BD0535AA00000	535 (141,4)		2 (29)	
BD0278AA00600	278 (73,45)		4 (58)	
BD0478AA00600	478 (126,3)		3 (43)	
BD0535AA00600	535 (141,4)		2,5 (36)	

Code	Flow rate		Delivery Head PVC	
	l/h (US Gal/h)		bar (psi)	
BD0079BA00000	79 (20,87)		10 (145)	
BD0135BA00000	135 (35,67)		10 (145)	
BD0158BA00000	158 (41,74)		8 (116)	
BD0150BA00000	150 (39,63)		7,5 (109)	
BD0257BA00000	257 (67,90)		6 (87)	
BD0300BA00000	300 (79,26)		5 (73)	
BD0278BA00000	278 (73,45)		3,5 (51)	
BD0478BA00000	478 (126,3)		2,5 (36)	
BD0535BA00000	535 (141,4)		2 (29)	
BD0278BA00600	278 (73,45)		4 (58)	
BD0478BA00600	478 (126,3)		3 (43)	
BD0535BA00600	535 (141,4)		2,5 (36)	

### Technical Features

Model	Flow rate l/h (US Gal/h)		Delivery Head bar (psi) AISI		Delivery Head bar (psi) PVC		Strokes/min		Stroke length mm	Ø Diaphragm mm	Power kW	Valves
	50 Hz	60 Hz	50 Hz	60 Hz	50 Hz	60 Hz	50 Hz	60 Hz				
BD0079	79 (20,87)	95 (25,05)	12 (174)	11 (160)	10 (145)	10 (145)	60	72	10			
BD0135	135 (35,67)	162 (42,80)	10 (145)	8 (116)	10 (145)	8 (116)	103	122	10	75	0,25	3/4”Gm
BD0158	158 (41,74)	-	8 (116)	-	8 (116)	-	120	-	10			
BD0150	150 (39,63)	180 (47,56)	7,5 (109)	6 (87)	7,5 (109)	6 (87)	60	72	10			
BD0257	257 (67,90)	308 (81,48)	6 (87)	5 (73)	6 (87)	5 (73)	103	122	10	95	0,25	1”Gm
BD0300	300 (79,26)	-	5 (73)	-	5 (73)	-	120	-	10			
BD0278	278 (73,45)	334 (88,14)	3,5 (51)	3 (44)	3,5 (51)	3 (44)	60	72	10			
BD0478	478 (126,3)	574 (151,6)	2,5 (36)	2 (29)	2,5 (36)	2 (29)	103	122	10	115	0,25	1”Gm
BD0535	535 (141,4)	-	2 (29)	-	2 (29)	-	120	-	10			
BD0278	278 (73,45)	334 (88,14)	4 (58)	3,5 (51)	4 (58)	3,5 (51)	60	72	10			
BD0478	478 (126,3)	574 (151,6)	3 (43)	2,5 (36)	3 (43)	2,5 (36)	103	122	10	115	0,37	1”Gm
BD0535	535 (141,4)	-	2,5 (36)	-	2,5 (36)	-	120	-	10			

### Overall Dimensions



### Pump Head configurations

#### Standard

Version	Head	Connections	Diaphragm	Valve Seats	Balls	Ball Seats
AA	SS316L	SS316L	NBR/PTFE	PVDF	SS316L	NBR
BA	PVC	PVC	NBR/PTFE	PVC	Ceramic	FPM

#### On Request

Version	Head	Connections	Diaphragm	Valve Seats	Balls	Ball Seats
AP	SS316L	SS316L	NBR/PTFE	PVDF	SS316L	FPM
AI	SS316L	SS316L	NBR/PTFE	PVDF	SS316L	EPDM
BI	PVC	PVC	NBR/PTFE	PVC	Ceramic	EPDM
SA	PVDF	PVDF	NBR/PTFE	PVDF	Ceramic	FPM
SI	PVDF	PVDF	NBR/PTFE	PVDF	Ceramic	EPDM



# P

## “Plunger Piston Motor-driven pumps”

The metering pumps P series are driven by an electric motor, the dosage takes place thanks to a piston. The P series pumps make their robustness and reliability their main characteristic

### General Features

- Valves: PVC pump head – double ball valves, except for piston Ø95 with single ball - SS316L – Single ball, except for piston Ø16 and Ø30 with double balls
- Frequency: 60, 103 and 120 strokes/min at 50Hz - 72 and 122 strokes/min at 60Hz
- Die-cast aluminium housing protected by epoxy/anti-acid paint
- Max Flow Rate: 1027 l/h at 50Hz - 1004 l/h at 60Hz
- Max Pressure: 25 bar
- Standard power supply: 230-400V 3fase 50Hz
- Motor: 0.25, 0.37, 0.55 or 0.75 kW
- Pump head: PVC, SS316L or PVDF
- Balls: ceramic or SS316L
- Ball seats: FPM, EPDM or NBR
- Valves seats: PVC or PVDF
- Piston in SS316 or Ceramic
- Piston seals NBR, FPM or EPDM
- Protection degree:

### On request

ST-D pumps series can be equipped with

### Motorizations:

- Without motor • UL/CSA motor certification • Single-phase motor
- Self-ventilated motor • ATEX motor
- Tropicalized motor

### Hydraulic:

- NPT hydraulic connections • Larger dimensions valves

### Regulation and control by an external signal:

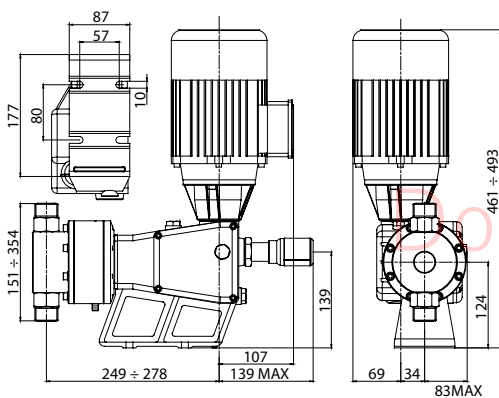
- Electric actuator (automatic adjustment of piston “run” by a 4-20mA signal) • Inverter (automatic adjustment of motor speed by a 4-20mA signal)

Code	Flow rate		Delivery Head AISI		Code	Flow rate		Delivery Head PVC	
	l/h (US Gal/h)		bar (psi)			l/h (US Gal/h)		bar (psi)	
BP0014AA00000	14 (3,69)		25 (360)		BP0014BA00000	14 (3,69)		-	
BP0024AA00000	24 (6,34)		25 (360)		BP0024BA00000	24 (6,34)		-	
BP0029AA00000	29 (7,66)		25 (360)		BP0029BA00000	29 (7,66)		-	
BP0052AA00000	52 (13,74)		20 (290)		BP0052BA00000	52 (13,74)		10 (145)	
BP0088AA00000	88 (23,25)		20 (290)		BP0088BA00000	88 (23,25)		10 (145)	
BP0103AA00000	103 (27,21)		18 (261)		BP0103BA00000	103 (27,21)		10 (145)	
BP0128AA00000	128 (33,81)		12 (174)		BP0128BA00000	128 (33,81)		10 (145)	
BP0220AA00000	220 (58,12)		9 (131)		BP0220BA00000	220 (58,12)		9 (131)	
BP0256AA00000	256 (67,63)		7,5 (109)		BP0256BA00000	256 (67,63)		7,5 (109)	
BP0251AA00000	251 (66,31)		6 (87)		BP0251BA00000	251 (66,31)		6 (87)	
BP0431AA00000	431 (113,86)		4,5 (65)		BP0431BA00000	431 (113,86)		4,5 (65)	
BP0503AA00000	503 (132,88)		3,5 (51)		BP0503BA00000	503 (132,88)		3,5 (51)	
BP0128AA00600	128 (33,81)		18 (262)		BP0128BA00600	128 (33,81)		10 (145)	
BP0220AA00600	220 (58,12)		16 (232)		BP0220BA00600	220 (58,12)		10 (145)	
BP0256AA00600	256 (67,63)		13 (189)		BP0256BA00600	256 (67,63)		10 (145)	
BP0251AA00600	251 (66,31)		9 (131)		BP0251BA00600	251 (66,31)		9 (131)	
BP0431AA00600	431 (113,86)		7 (102)		BP0431BA00600	431 (113,86)		7 (102)	
BP0503AA00600	503 (132,88)		6 (87)		BP0503BA00600	503 (132,88)		6 (87)	
BP0251AA00700	251 (66,30)		11 (160)		BP0251BA00700	251 (66,30)		10 (145)	
BP0431AA00700	431 (113,86)		9 (131)		BP0431BA00700	431 (113,86)		9 (131)	
BP0503AA00700	503 (132,9)		8 (131)		BP0503BA00700	503 (132,9)		8 (131)	
BP0513AA00700	513 (135,52)		5,5 (80)		BP0513BA00700	513 (135,52)		5,5 (80)	
BP0838AA00700	838 (221,38)		4 (58)		BP0838BA00700	838 (221,38)		4 (58)	
BP1027AA00700	1027 (271,3)		3 (44)		BP1027BA00700	1027 (271,3)		3 (44)	
BP0251AA00900	251 (66,30)		19 (276)		BP0251BA00900	251 (66,30)		10 (145)	
BP0431AA00900	431 (113,86)		16,5 (239)		BP0431BA00900	431 (113,86)		10 (145)	
BP0503AA00900	503 (132,9)		14,5 (210)		BP0503BA00900	503 (132,9)		10 (145)	
BP0513AA00900	513 (135,52)		12 (174)		BP0513BA00900	513 (135,52)		10 (145)	
BP0838AA00900	838 (221,38)		8 (116)		BP0838BA00900	838 (221,38)		8 (131)	
BP1027AA00900	1027 (271,3)		6,5 (94)		BP1027BA00900	1027 (271,3)		6,5 (94)	

### Technical Features

Model	Flow rate l/h (US Gal/h)		Delivery Head bar (psi) AISI		Delivery Head bar (psi) PVC		Strokes/min		Stroke length mm	Ø Piston mm	Power kW	Valves
	50 Hz	60 Hz	50 Hz	60 Hz	50 Hz	60 Hz	50 Hz	60 Hz				
BP0014	14 (3,69)	17 (4,49)	25 (360)	25 (360)	-	-	60	72	20	16	0,25	1/2" Gm
BP0024	24 (6,34)	29 (7,66)	25 (360)	25 (360)	-	-	103	122	20			
BP0029	29 (7,66)	-	25 (360)	-	-	-	120	-	20			
BP0052	52 (13,74)	63 (16,64)	20 (290)	20 (290)	10 (145)	10 (145)	60	72	20	30	0,25	1/2" Gm
BP0088	88 (23,25)	106 (28,00)	20 (290)	20 (290)	10 (145)	10 (145)	103	122	20			
BP0103	103 (27,21)	-	18 (261)	-	10 (145)	-	120	-	20			
BP0128	128 (33,81)	153 (40,42)	12 (174)	9,5 (138)	10 (145)	9,5 (138)	60	72	20			
BP0220	220 (58,12)	260 (68,68)	9 (131)	7,5 (109)	9 (131)	7,5 (109)	103	122	20	48	0,25	3/4" Gm
BP0256	256 (67,63)	-	7,5 (109)	-	7,5 (109)	-	120	-	20			
BP0251	251 (66,31)	302 (79,78)	6 (87)	5 (72)	6 (87)	5 (72)	60	72	20			
BP0431	431 (113,86)	512 (135,26)	4,5 (65)	3,5 (51)	4,5 (65)	3,5 (51)	103	122	20	67	0,25	1" Gm
BP0503	503 (132,88)	-	3,5 (51)	-	3,5 (51)	-	120	-	20			
BP0128	128 (33,81)	153 (40,42)	18 (262)	14,5 (210)	10 (145)	10 (145)	60	72	20			
BP0220	220 (58,12)	260 (68,68)	16 (232)	13 (189)	10 (145)	10 (145)	103	122	20	48	0,37	3/4" Gm
BP0256	256 (67,63)	-	13 (189)	-	10 (145)	-	120	-	20			
BP0251	251 (66,31)	302 (79,78)	9 (131)	7,5 (109)	9 (131)	7,5 (109)	60	72	20			
BP0431	431 (113,86)	512 (135,26)	7 (102)	5,5 (80)	7 (102)	5,5 (80)	103	122	20	67	0,37	1" Gm
BP0503	503 (132,88)	-	6 (87)	-	6 (87)	-	120	-	20			
BP0251	251 (66,30)	302 (79,78)	11 (160)	9,5 (138)	10 (145)	9,5 (138)	60	72	20			
BP0431	431 (113,86)	512 (135,26)	9 (131)	8 (116)	9 (131)	8 (116)	103	122	20	67	0,55	1" Gm
BP0503	503 (132,88)	-	8 (131)	-	8 (131)	-	120	-	20			
BP0513	513 (135,52)	614 (162,20)	5,5 (80)	4,5 (65)	5,5 (80)	4,5 (65)	60	72	20	95	0,55	1½" Gm
BP0838	838 (221,38)	1004 (265,2)	4 (58)	3 (44)	4 (58)	3 (44)	103	122	20			
BP1027	1027 (271,3)	-	3 (44)	-	3 (44)	-	120	-	20			
BP0251	251 (66,30)	302 (79,78)	19 (276)	17,5 (254)	10 (145)	10 (145)	60	72	20			
BP0431	431 (113,86)	512 (135,26)	16,5 (239)	14,5 (210)	10 (145)	10 (145)	103	122	20	67	0,75	1" Gm
BP0503	503 (132,9)	-	14,5 (210)	-	10 (145)	-	120	-	20			
BP0513	513 (135,52)	614 (162,20)	12 (174)	10 (145)	10 (145)	10 (145)	60	72	20	95	0,75	1½" Gm
BP0838	838 (221,38)	1004 (265,2)	8 (116)	6,5 (94)	8 (131)	6,5 (94)	103	122	20			
BP1027	1027 (271,3)	-	6,5 (94)	-	6,5 (94)	-	120	-	20			

### Overall Dimensions



### Pump Head configurations

Standard							
Version	Head	Connections	Piston	Piston Seals	Valve Seats	Balls	Ball Seats
AA	SS316L	SS316L	SS316L	NBR	PVDF	SS316L	NBR
BA	PVC	PVC	PTFE	Ceramic	PVC	Ceramic	FPM

On Request							
Version	Head	Connections	Piston	Piston Seals	Valve Seats	Balls	Ball Seats
AP	SS316L	SS316L	SS316L	FPM	PVDF	SS316L	FPM
AI	SS316L	SS316L	SS316L	EPDM	PVDF	SS316L	EPDM
BA	PVC	PVC	Ceramic	FPM	PVC	Ceramic	FPM
BI	PVC	PVC	Ceramic	EPDM	PVC	Ceramic	EPDM
SA	PVDF	PVDF	Ceramic	FPM	PVDF	Ceramic	FPM
SI	PVDF	PVDF	Ceramic	EPDM	PVDF	Ceramic	FPM

**Pumps supplied without motor**

Motor type
0,18 kW
0,25 kW
0,37 kW
0,55 kW
0,75 kW

**Pumps supplied with NPT connection**

Upon Request

**Configuration with high capacity values for viscous liquids**

(PDM ST-P and P in AISI) 3/4" connection

**Mechanical Piston Pump AISI pumps head - AISI 316L piston**

ø Piston mm	Configuration
16	
30	AP (FPM)
48	AI (EPDM)
67	
95	

**Series "P" Mechanical Piston Pump AISI pumps head - AISI 316L piston - PTFE - FPM**

ø Piston mm	Configuration
16	
30	
48	AT
67	
95	

**Series "ST-P" Mechanical Piston Pump PVC pump head - AISI 316L piston**

ø Piston mm	Configuration
16	
30	BP
48	

**Series "P" Mechanical Piston Pump PVC pump head - AISI 316L piston**

ø Piston mm	Configuration
30	
48	BP
67	
95	

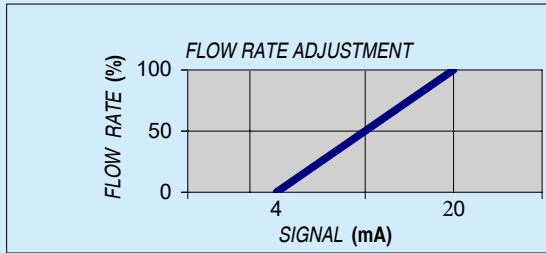
**Alternative motor options**

Single phase motor configuration 50 Hz	0,18 kW - 0,25 kW - 0,37 kW
Explosion proof protection 0.18 - 0.75 kW 3 phase EEX-D zone 1(GAS)*	0,18 kW - 0,25 kW - 0,37 kW 0,55 kW - 0,75 kW
Explosion proof protection 0.18 1 phase EEX-D zone 1(GAS)	0,18 kW - 0,25 kW
Explosion proof protection 3 phase EEX-D zone 1(GAS) for inverter application	0,18 kW - 0,25 kW - 0,37 kW 0,55 kW - 0,75 kW
Tropicalization	
Pump with self-ventilated 3 phase motor for inverter application 0,18 ÷ 0,75 kW.	0,18 kW - 0,25 kW - 0,37 kW
Available for self-ventilated single-phase motor 230V - 50 Hz	0,55 kW - 0,75 kW
Pump with UL/CSA 3 phase motor (230/400V 50Hz 240/415V 50Hz 280/480V 60Hz)	
0,18 ÷ 0,75 kW	
Pump with UL/CSA mono phase 110V motor 0,18 ÷ 0,75 kW	
Pump with UL/CSA 3 phase motor 575V or mono phase 220V 60Hz 0,18 ÷ 0,75 kW	

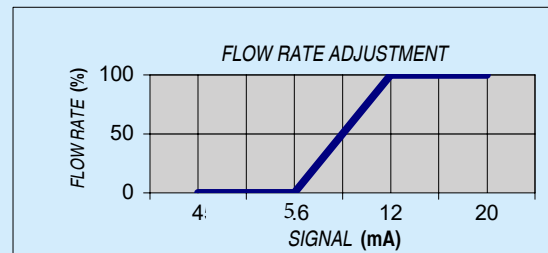
\*On request: prices explosion proof protection, zone 21 (DUST)

## 4 - 20mA - 10VDC flow rate automatic control

Add to the pump price list - Note: The flow rate diagram of the motor driven dosing pumps provided of this actuator, is usually the one shown in Fig. 1. The automatic adjustment can only be used on pumps with stroke: 9,3 - 10 - 12,3 - 13 - 14,5 - 15 - 20. Otherwise if the pump as 4 mm stroke, the flow rate diagram is like the one shown in Fig. 2. If the control signal were 0 ÷ 10Vdc the two diagrams are absolutely similar. Only the logic of operation is shown in these diagrams. Therefore it should be considered a tolerance of ±5% on the absolute values. the unit requires a 24Vdc and 24 Vac power supply.



Control signal response if the pumps has stroke length: 9,3 mm, 10mm, 12,3 mm, 13 mm, 14,5 mm 15mm e 20mm.



Control signal response if the pumps has 4mm stroke leng (ST-D pump series).

## ACCESSORIES

### INVERTER



#### INVERTER for panel mounting • 4 – 20 mA input

230 V – 50 Hz single phase power supply / three phase output – from 0,18 to 0,37 kW motor power  
(add self-ventilated motor when inverter is used).

AIV 00004 01

230 V – 50 Hz single phase power supply / three phase output – from 0,55 to 0,75 kW motor power  
(add self-ventilated motor when inverter is used).

AIV 00005 01

### Pulsation Dampeners

Please inform us about preloading when placing the order



#### Pulsation dampeners

SS body, NBR membrane, 0,12 litre	1/2"	1POL 005
SS body, NBR membrane, 0,35 litre	1/2"	APL 00004 01
SS body, NBR membrane, 0,70 litre	3/4"	APL 00012 01
SS body, NBR membrane, 1,5 litre	1"	APL 00013 01
SS body, NBR membrane, 3 litre	1"	APL 00014 01
PVC body, FPM membrane, 0,12 litre	1/2"	1POL 001
PVC body, FPM membrane, 0,35 litre	1/2"	1POL 007
PVC body, FPM membrane, 0,70 litre	1/2"	1POL 003
PVC body, FPM membrane, 1,5 litre	3/4"	1POL 010
PVC body, FPM membrane, 3 litre	3/4"	1POL 011

DosingPump.ir



## AIR RELIEF OR BACK PRESSURE VALVES

Max Flow	Connections	Configuration	
250 l/h	3/8" Gf	PVC - EPDM / PTFE	AVA 00101 01
230 l/h	1/2" Gf	AISI 316L	1166 064
500 l/h	1/2" Gf	PVC - FPM / PTFE	AVA 00101 03
1.050 l/h	1/2" Gf	PVC - EPDM / PTFE	AVA 00102 01
420 l/h	3/4" Gf	AISI 316L	1166 066
420 l/h	3/4" Gf	PVC	1166 067
1.050 l/h	1" Gf	AISI 316L	1166 068
1.050 l/h	1" Gf	PVC	1166 069



## FOOT VALVES

Max Flow	Connections	*Configuration	**Description	
125 l/h	3/8"-1/2" Gm	PP - FPM	con filtro / with filter	SFT 00300 02
125 l/h	1/2" Gm	AISI 316L - EPDM	senza filtro / without filter	SVA 10001 02
125 l/h	1/2" Gf	PVC - FPM	con filtro / with filter	AVA 10001 01
260 l/h	3/4" Gm	AISI 316L - EPDM	senza filtro / without filter	SVA 10002 02
260 l/h	3/4" Gf	PVC - FPM	con filtro / with filter	AVA 10002 01
510 l/h	1" Gm	AISI 316L - EPDM	senza filtro / without filter	SVA 10003 02
510 l/h	1" Gf	PVC - FPM	con filtro / with filter	AVA 10003 01
1.050 l/h	1 1/2" Gm	AISI 316L - EPDM	senza filtro / without filter	SVA 10004 02
1.050 l/h	1 1/2" Gf	PVC - FPM	con filtro / with filter	AVA 10004 01

\*Upon request other material gaskets. - \*\*Upon request with filter version.



## SAFETY VALVES

Max Flow - Max Pressure	Connections	*Configuration	Code
0.4 m <sup>3</sup> - 12 bar	1/2" Gf	PVC	AVA 00501 01
0.4 m <sup>3</sup> - 100 bar	1/2" Gf	AISI 316L	AVA 00501 02
1.2 m <sup>3</sup> - 9 bar	1" Gf	PVC	AVA 00502 01
1.2 m <sup>3</sup> - 60 bar	1" Gf	AISI 316L	AVA 00502 02
3.6 m <sup>3</sup> - 6 bar	1 1/2" Gf	PVC	AVA 00503 01
3.6 m <sup>3</sup> - 60 bar	1 1/2" Gf	AISI 316L	AVA 00503 02

\*The setting pressure needs to be indicated in the order.





## INJECTION VALVES

Max Flow	Connections	Configuration	Code
125 l/h	3/8"-1/2" Gm	PP - FPM	SVA 00300 02
103 l/h	1/2" Gm	PVC - FPM	SVA 00015 04
103 l/h	1/2" Gm	AISI 316L - FPM	SVA 00015 01
256 l/h	3/4" Gm	PVC - FPM	SVA 00016 04
256 l/h	3/4" Gm	AISI 316L - FPM	SVA 00016 01
400 l/h	3/4" Gm	PVC	1166 036
400 l/h	3/4" Gm	AISI 316L	1166 035
1000 l/h	1" Gm	PVC	1166 117
256 l/h	1/2" Gm/Gf	AISI 316L - EPDM	*AVA 00200 02
504 l/h	3/4" Gm/Gf	AISI 316L - EPDM	*AVA 00201 02
1027 l/h	1" Gm/Gf	AISI 316L - EPDM	*AVA 00202 02

\*Spring injection valve AISI 316



## GEARBOX OIL

Oil SAE W 85/140 1Lt	1ACS 015
----------------------	----------



## KIT

Installation kit for pumps with 1/2" GM valve connection	For Motor Pumps	Code
Composed of: 8m 10x14 PE tube, 2m 10x14 PVC crystal tube, n°2 nipples with tube nuts, n°2 PVC F/F 1/2" coupling, n°1 PP-FPM foot valve, n°1 PP-FPM injection valve and gearbox oil. Max 5bar.	AISI-FPM	SCO 00001 01
	PP/PVC-FPM	SCO 00001 03
Adapter Kit 1/2 "GM pump with valve connection 3/4" GM, max 190 l/h		
Composed of: 2 reducers 3/4 "GF - 1/2" GM PVC (compatible with SCO0000101).		KCO 00001 01
Installation kit for pumps with 3/4" GM valve connection		
Composed of: n°4 hose adaptor with barb nut for flexible tube, n°1 PVC-FPM foot valve, n°1 PVC-FPM injection valve and gearbox oil. Max 5bar*.		SCO 00014 01
Installation kit for pumps with 1" GM valve connection		
Composed of: n°4 hose adaptor with barb nut for flexible tube, n°1 PVC-FPM foot valve, n°1 PVC-FPM injection valve and gearbox oil. Max 5bar*.		SCO 00015 01

\*with clamps not included

DosingPump.ir

# PERISTALTICS



Etatron Peristaltic Pumps are designed for use with Dosing Systems with low flow rates and pressure. These pumps operate on the suction-compression created by rotors on a Silicone or Santoprene® tube, commonly used for simple dosing application, water treatment and laundry systems. Lightweight, and compact Etatron's Peristaltic Pumps are suitable for a wide range of Systems.

Now includes the new eTwin dual peristaltic pump.

Common features:

- Energy efficient
- Flow capacity from 0.5 l/h to 100 l/h
- Tubing materials of Silicone, Santoprene or Norprene.
- Manual control 10-100%
- Easy maintenance

[DosingPump.ir](http://DosingPump.ir)



# ePool

“Peristaltic Pump with built in pH or Rx controller”

The ePool series of peristaltic dosing pumps are perfect for the domestic swimming pools, SPA and wellness centres. These pumps operate on the suction-compression created by rotors on a Santoprene® tube.

### General Features

- Measure two different types of electro-chemical variables: pH or Rx
- ON/OFF or proportional activation mode
- Proportional dosing mode
- Flow rate up to 3 l/h
- Pressure up to 3 bar
- pH measurement range: from 3 to 11 pH
- RX measurement range: from +100 to +999 mV
- Power supply: 230V 50-60Hz
- Maximum power consumption: 15W
- Set point selection
- Type of intervention (direct or inverse)
- Hysteresis
- Delay time of the pump activation
- Over dosing alarm, indicates an overdose situation
- Relay output for signalled alarm status
- Level switch input (included)
- Display: blue/white 16 digits

ePool pH	Version
CXB 400 03 01	0101
CXB 400 04 01	0301
CXB 400 05 01	0202
CXB 400 06 01	0303

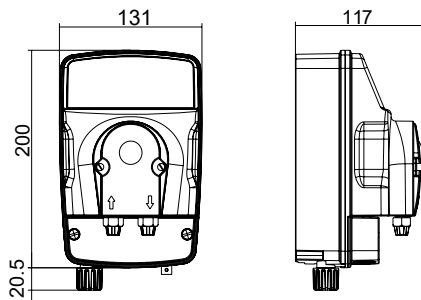
ePool Rx	Version
CXB 400 03 02	0101
CXB 400 04 02	0301
CXB 400 05 02	0202
CXB 400 06 02	0303

ePool NO KIT	Version
CXB 400 03 Z6	0101
CXB 400 04 Z6	0301
CXB 400 05 Z6	0202
CXB 400 06 Z6	0303

### Technical Features

Version	Flow rate	Pressure
	l/h (US Gal/h)	bar (psi)
0101	1.5 (0.40)	1.5 (21)
0301	3 (0.79)	1.5 (21)
0202	2 (0.53)	2 (29)
0303	3 (0.79)	3 (43)

### Overall Dimensions



### WATER TREATMENT ACCESSORIES

FPM peristaltic pumps water treatment accessories: 2 m polyethylene tube (4x6mm), 2m PP crystal tube (4x6mm), 3/8" PVC-FPM injection valve, PP foot filter without check valve.

SCO 00007 01



### pH kit

pH ePool pumps accessories: pH plastic body electrode with 5m cable, pH7 and pH9 buffer solutions in 55ml containers, floating level switch complete with plastic support, 1/2" inline PP electrode holder, 1/2"GF-DN50 clamp saddle for electrode holder (2 pcs), PVC M/F 1/2"-3/8" reduction nipple, PP tube nut (2 pcs).

SCO 00030 01



### Rx kit

Rx ePool pumps accessories: Rx plastic body electrode with 5m cable, Rx 650mV buffer solution in 55ml container, floating level switch complete with plastic support, 1/2" inline PP electrode holder, 1/2"GF-DN50 clamp saddle for electrode holder (2 pcs), PVC M/F 1/2"-3/8" reduction nipple, PP tube nut (2 pcs).

SCO 00030 02



**NEW**

# PK-Pool

“Peristaltic Pump with built in pH or Rx controller”

The PK Pool series of peristaltic dosing pumps are perfect for the domestic swimming pools, SPA and wellness centres. Mainly designed to be “ready to install” and “user-friendly” for the user.

### General Features

- Flow rate 1,5 l/h
- Max Pressure 1,5 bar
- pH measurement range: from 0 to 14 pH
- Rx measurement range: from +0 to +1000 mV
- Power supply: 230V 50-60Hz
- Maximum power consumption: 15W
- Set point selection
- Type of intervention (Acid or Alkaline)
- proportional activation mode respect to the measure value
- Display back-lighted
- Supplied with complete installation kit:
  - pH probe or Rx probe with 5 m cable
  - Saddle clamp
  - PP probe holder ½”
  - Buffer solutions: pH 7 & 9
  - Injection valve (PVC/FPM)
  - Foot filter (PP/FPM)
  - 2m suction & 2m discharge tubing
  - Mounting Bracket, to install the pump indifferently on a wall (vertical) or on a tank (horizontal)

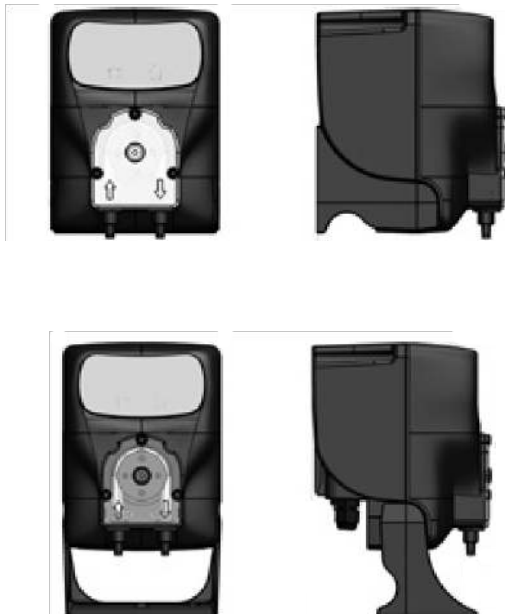
ePool pH	Version
CXB 400 51 01	0101

ePool Rx	Version
CXB 400 52 01	0101

### Technical Features

Version	Flow rate	Pressure
	l/h (US Gal/h)	bar (psi)
0101	1.5 (0.40)	1.5 (21)

### Overall Schematic



### WATER TREATMENT ACCESSORIES

FPM peristaltic pumps water treatment accessories: 2 m polyethylene tube (4x6mm), 2m PP crystal tube (4x6mm), 3/8” PVC-FPM injection valve, PP foot filter without check valve.

SCO 00007 01



### pH kit

pH PK-Pool pumps accessories: pH plastic body electrode with 5m cable, pH7 and pH9 buffer solutions in 55ml containers, floating level switch complete with plastic support, 1/2” inline PP electrode holder, 1/2”GF-DN50 clamp saddle for electrode holder (2 pcs), PVC M/F 1/2”-3/8” reduction nipple, PP tube nut (2 pcs).

SCO 00030 01



### Rx kit

Rx Pk-Pool pumps accessories: Rx plastic body electrode with 5m cable, Rx 650mV buffer solution in 55ml container, floating level switch complete with plastic support, 1/2” inline PP electrode holder, 1/2”GF-DN50 clamp saddle for electrode holder (2 pcs), PVC M/F 1/2”-3/8” reduction nipple, PP tube nut (2 pcs).

SCO 00030 02



DosingPump.it

# eTWIN SERIES



The eTwin is a compact, easy-to-use device which combines two dosing pumps and two parameters controllers designed to measure pH, Redox, Chlorine and the temperature. Designed with wet leisure and light-industry in mind, these dosing pumps are available in both peristaltic and solenoid versions.

On request the device could be equipped with complete calibration kit, including sensors and mounting accessories.

#### Common Features:

- Over dosing alarm
- Set-point with working mode ON-OFF, proportional, hysteresis regulation, delay time for pump activation depending on the set-point value
- Power supply: 90-250V 50-60Hz\*;
- Supplied with complete installation kit: Suction hose: PVC Cristal®; Discharge hose: Polyethylene
- Level control, alarm output relay
- Three relays selectable from the user, set-point (measures + temperature) or timer
- Anti-acid plastic box, back-lighted graphic display, wall mounting, IP65 protection degree, complete installation kit (injection valves, foot filters, suction/delivery tubes).



# *pH/pH* “Dosing and Regulation System for two parameters”

## General Features

- Microprocessor controller
- Flow rate up to 3 l/h
- Working pressure up to 1,5 bar
- pH range: 0÷14 pH
- Set point selection
- Direct or Inverse intervention
- Timer mode: daily/weekly
- Level probe input
- Flow sensor input
- Proximity switch
- Pt100 probe (0÷100°C)
- Output: 4÷20 mA
- Relay dedicated to alarm signals

**CE**  
(standard)

pH - pH	Version
CXB 80 003 01	0101
CXB 80 013 01	0301



# *pH/Rx* “Dosing and Regulation System for two parameters”

## General Features

- Microprocessor controller
- Flow rate up to 3 l/h
- Working pressure up to 1,5 bar
- pH range: 0÷14 pH
- Redox range: -1000÷+1000 mV
- Set point selection
- Direct or Inverse intervention
- Timer mode: daily/weekly
- Level probe input
- Flow sensor input
- Proximity switch
- Pt100 probe (0÷100°C)
- Output: 4÷20 mA
- Relay dedicated to alarm signals

**CE**  
(standard)

pH - RX	Version
CXB 80 001 01	0101
CXB 80 011 01	0301



# *Cl/pH* “Dosing and Regulation System for two parameters”

## General Features

- Microprocessor controller
- Flow rate up to 3 l/h
- Working pressure up to 1,5 bar
- pH range: 0÷14 pH
- Chlorine range: 0÷2, 0÷10, 0÷20, 0÷200 ppm
- Set point selection
- Direct or Inverse intervention
- Timer mode: daily/weekly
- Level probe input
- Flow sensor input
- Proximity switch
- Pt100 probe (0÷100°C)
- Output: 4÷20 mA
- Relay dedicated to alarm signals

**CE**  
(standard)

Cl - pH	Version
CXB 80 002 01	0101
CXB 80 012 01	0301

DosingPump.ir





# eTwin S

## pH/pH

### General Features

- Microprocessor controller
- Flow rate up to 3 l/h
- Working pressure up to 1,5 bar
- pH range: 0 - 14 pH
- Set point selection
- Direct or Inverse intervention
- Timer mode: daily/weekly
- Level probe input
- Flow sensor input
- Proximity switch
- Pt100 probe (0 - 100°C)
- Output: 4 - 20 mA
- Relay dedicated to alarm signals

## pH/Rx

### General Features

- Microprocessor controller
- Flow rate up to 3 l/h
- Working pressure up to 1,5 bar
- pH range: 0÷14 pH
- Redox range: -1000 to 1000 mV
- Set point selection
- Direct or Inverse intervention
- Timer mode: daily/weekly
- Level probe input
- Flow sensor input
- Proximity switch
- Pt100 probe (0-100°C)
- Output: 4-20 mA
- Relay dedicated to alarm signals

## Cl/pH

### General Features

- Microprocessor controller
- Flow rate up to 3 l/h
- Working pressure up to 1,5 bar
- pH range: 0 - 14 pH
- Chlorine range: 0-2, 0-20, 0-200 ppm
- Set point selection
- Direct or Inverse intervention
- Timer mode: daily/weekly
- Level probe input
- Flow sensor input
- Proximity switch
- Pt100 probe (0-100°C)
- Output: 4-20 mA
- Relay dedicated to alarm signals



pH - pH	Version
CXB 8S 003 01	0101
CXB 8S 013 01	0301

pH - RX	Version
CXB 8S 001 01	0101
CXB 8S 011 01	0301

Cl - pH	Version
CXB 8S 002 01	0101
CXB 8S 012 01	0301

## Technical Features

Version	Flow rate	Pressure
	l/h (US Gal/h)	bar (psi)
0101	1,5(0.39)	1,5 (21)
0301	3 (0.79)	1.5 (21)

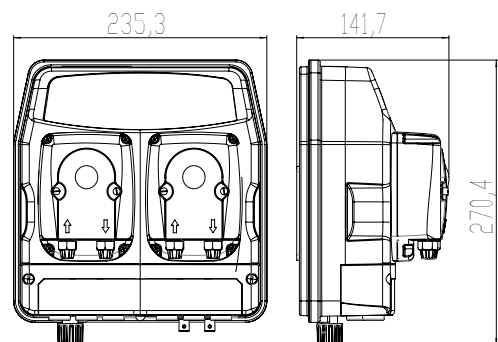


## WATER TREATMENT kit

FPM peristaltic pumps water treatment accessories: 2 m polyethylene tube (4x6mm), 2m PP crystal tube (4x6mm), 3/8" PVC-FPM injection valve, PP foot filter without check valve..

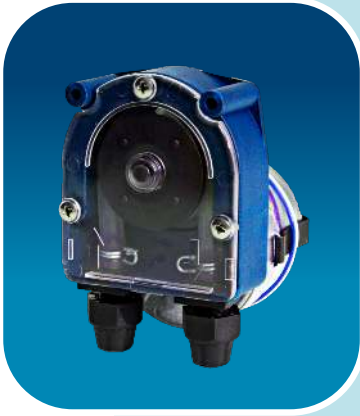
SCO 00 007 01

## Overall Dimensions



DosingPump.ir

# F SERIES



## F

“Compact peristaltic pumps with constant flow rate designed for discontinuous use”

F Series Constant flow rate peristaltic pump for discontinuous use

### General Features

- Optional 120v, 12vdc, 24vac, 24vdc power supplies (only available for certain models)
- Wall mounted with removable gearbox/motor for panel mounting
- Peristaltic tubing available in Santoprene or Silicone
- Flow rates From 1.1 to 6 L/H
- Maximum operating pressures 1 bar
- 230v power supply as standard
- Model 6 l/h only 24 Vdc

F SILICONE	Version	F SANTOPRENE*	Version
PPF 02 368 60	0001	PPF 02 368 64	0001
PPF 02 192 60	0101	PPF 02 192 64	0101
PPF 02 187 60	0201	PPF 02 187 64	0201
PPF 02 311 60	0301	PPF 02 311 64	0301
PPF 02 189 60	0601	PPF 02 189 64	0601



(standard)



(on request)



## F-T

“Compact peristaltic pumps with constant flow rate designed for discontinuous use”

F-T Series Constant flow rate with integral timer (0-7 seconds; controlled by potentiometer) for discontinuous use

### General Features

- Optional 120v, 12vdc, 24vac, 24vdc power supplies (only available for certain models)
- Wall mounted with removable gearbox/motor for panel mounting
- Peristaltic tubing available in Santoprene or Silicone
- Flow rates From 1.1 to 6 L/H
- Maximum operating pressures 1 bar
- 230v power supply as standard
- Model 6 l/h only 24 Vdc

F-T SILICONE	Version	F-T SANTOPRENE*	Version
PPF 07 368 60	0001	PPF 07 368 64	0001
PPF 07 192 60	0101	PPF 07 192 64	0101
PPF 07 187 60	0201	PPF 07 187 64	0201
PPF 07 311 60	0301	PPF 07 311 64	0301
PPF 07 189 60	0601	PPF 07 189 64	0601



(standard)



(on request)

### Technical Features

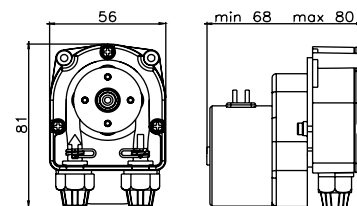
Version	Flow rate	Pressure	Power Supply	RPM	Dimensions (In mm)		
	l/h (US Gal/h)	bar (psi)			Height	Width	Depth
0001	0.5 (0.13)	1 (14)	230V, 50/60 Hz	10	81	56	68
0101	1.1 (0.29)	1 (14)	230V, 50/60 Hz	20	81	56	68
0201	2.2 (0.58)	1 (14)	230V, 50/60 Hz	48	81	56	68
0301	3.3 (0.87)	1 (14)	230V, 50/60 Hz	60	81	56	80
0601	6.0 (1.56)	1 (14)	230V, 50/60 Hz	108	81	56	87



## WATER TREATMENT kit

FPM peristaltic pumps water treatment accessories: 2 m polyethylene tube (4x6mm), 2m PP crystal tube (4x6mm), 3/8" PVC-FPM injection valve, PP foot filter without check valve..

### Overall Dimensions



SCO 00 007 01

DosingPump.ir



(standard)



(on request)

# B SERIES



## B3-V

### “Peristaltic Dosing Pumps B Series”

The B Series are a range of peristaltic dosing pumps fixed and variable flow rates designed for discontinuous use

#### General Features

- Flow Rates up to 12 L/H
- Maximum operating pressures of up to 3 Bar
- Flow Rate Adjustment: 10 – 100%
- Variable power supplies from 90 – 260v as standard
- Optional power supplies include 12Vdc, 24Vdc or 24Vac

B 3-V	Version
PBV 43 372 74	0103
PBV43365 74	0403
PBV 43 373 74	1201



## B-F

### “Peristaltic Dosing Pumps B Series”

The B Series are a range of peristaltic dosing pumps fixed and variable flow rates designed for discontinuous use

#### General Features

- Flow Rates up to 12 L/H
- Maximum operating pressures of up to 3 Bar
- Flow fixed
- Power supply 230V

B F	Version
PBF 44 374 74	0101
PBF 44 375 74	0301



## B-FCD

### “Peristaltic Dosing Pumps B Series”

The B Series are a range of peristaltic dosing pumps fixed and variable flow rates designed for discontinuous use

#### General Features

- Flow Rates up to 12 L/H
- Maximum operating pressures of up to 3 Bar
- with integrated CD meter to monitor detergent concentration in washing systems
- Direct function and upon request, reverse function
- Operating range 400 - 20,000 µS
- LED pump ON indicator
- available with removable power cable
- Peristaltic tubing available in Santoprene®, Silicone, Norprene® or Tygon
- The peristaltic tubing is fitted with SS clamps
- Supplied with wall mounting bracket
- Set point

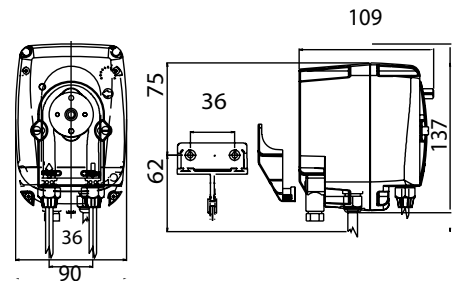
B FCD	Version
PCD 15 188 64	0103
PCD 15 238 64	0303
PCD 15 189 64	0601
PCD 15 042 64	1001



#### Technical Features

#### Overall Dimensions

Version	Flow rate l/h (US Gal/h)	Pressure bar (psi)	Net Weight Kg	Absorbed power Watt	Rotation speed rpm	Tube size mm	Dimensions (In mm)		
							Height	Width	Depth
B-F									
0101	1,5 (0.39)	1,5 (21)	0,80	5	20	4.8 x 8.0	137	90	109
0301	3 (0.79)	3 (43)	0,80	10	40	4.8 x 8.0	137	90	109
B3-V									
0103	1 (0.26)	3 (43)	0,70	4	34	3.2 x 9.6	137	90	109
0403	4 (1.06)	3 (43)	0,70	5	47	4.8 x 9.6	137	90	109
1201	12 (3.17)	1 (14)	0,70	5	90	6 x 9	137	90	109
B-FCD									
0103	1 (0.26)	3 (43)	0,70	4	25	3.2 x 9.6	137	90	109
0303	3 (0.79)	3 (43)	0,80	5	50	4.8 x 9.6	137	90	109
0601	6.0 (1.56)	1 (14)	0,70	4	50	6 x 9	137	90	109
1001	10 (2.60)	1 (14)	0,80	5	108	6 x 9	137	90	109



### WATER TREATMENT kit Standard B3-V and B-F

FPM peristaltic pumps water treatment accessories: 2 m polyethylene tube (4x6mm), 2m PP crystal tube (4x6mm), 3/8" PVC-FPM injection valve, PP foot filter without check valve.

SCO 00 007 01



### EPDM DETERGENT kit Standard B-FCD

EPDM peristaltic pumps detergent accessories: 4m PVC crystal tube (4x6mm), 90° injection nipple for free discharge, stainless steel foot filter with EPDM check valve.

SCO 00 002 02



# BH3-V

## “Peristaltic Dosing Pumps”

The BH Series are a range of peristaltic dosing pumps with adjustable flow. They are designed for discontinuous use

### General Features

- Max flow rate : 100 l/h
- Flow Rate Adjustment: 10 – 100%
- Max working pressure: 1,5 bar
- Power Supply: 90-260v standard 50/60 Hz
- Wall mounting
- Tubing: Available in Santoprene®, Silicone, Norprene® or Tygon
- Accessories: Supplied with 4 metres suction/discharge tubing

BH NORPRENE*	Version
PBH 42 305 P6	1001
BH SANTOPRENE*	Version
PBH 42 305 64	1001
BH SILICONE	Version
PBH 42 305 60	1001
BH TYGON	Version
PBH 42 305 2F	1001

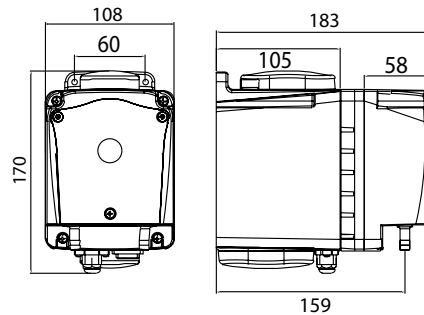
**CE**  
(standard)

Supplied without injection valve or foot filter

### Technical Features

Version	Flow rate l/h (US Gal/h)	Pressure bar (psi)	Net Weight Kg	Absorbed power Watt	Rotation speed rpm	Tube size mm	Dimensions (In mm)		
							Height	Width	Depth
0001	100 (26.41)	1,5 (21)	1,50	25	150	9.6 x 15.9	170	108	183

### Overall Dimensions



**CE**  
(standard)

DosingPump.ir



# BIOCLEAR CONTROL

The BIOCLEAR Series are a range of peristaltic dosing pumps with digital Timer

### General Features

- Flow rate: up to 2 l/h
- Pressure: max 1 bar
- Standard power supply: 230 Vac 50/60 Hz
- Optional power supply: 12Vdc, 120V
- Large LCD display
- Timer switch with battery support
- Daily/Weekly programming possibilities
- 8 cycles with 1 minute minimum activation time.
- Repeatable programs
- 24 hours display
- 1 channel
- Programming switch
- Wall mounting

Bioclean CONTROL	Version
CXB 00 551 01	0101
CXB 00 550 01	0201



# BIOCLEAR CONTROL/B

The BIOCLEAR Series are a range of peristaltic dosing pumps with digital Timer

### General Features

- Flow rate: up to 3 l/h
- Pressure: max 3 bar
- Standard power supply: 230 Vac 50/60 Hz
- Optional power supply: 12Vdc, 120V
- Large LCD display
- Timer switch with on-board battery support
- Daily/Weekly programming possibilities
- 8 cycles with 1 minute minimum activation time.
- Repeatable programs
- 24 hours display
- 1 channel
- Programming switch
- Wall mounting

Bioclean CONTROL/B	Version
CXB 00 650 01	0103
CXB 00 651 01	0202
CXB 00 652 01	0303



### Technical Features

Version	Flow rate	Pressure	Power Consumption	Rotation speed	Tube size
	l/h (US Gal/h)	bar (psi)		rpm	
BIOCLEAR CONTROL					
0101	1.1 (0.29)	1 (14)	4	20	4x7
0201	2.2 (0.57)	1 (14)	4	48	4x7
BIOCLEAR CONTROL/B					
0103	1 (0.26)	3 (43)	5	25	3,2x9,6
0202	2 (0.53)	2 (29)	5	25	4,8x9,6
0303	3 (0.79)	3 (43)	6	50	4,8x9,6

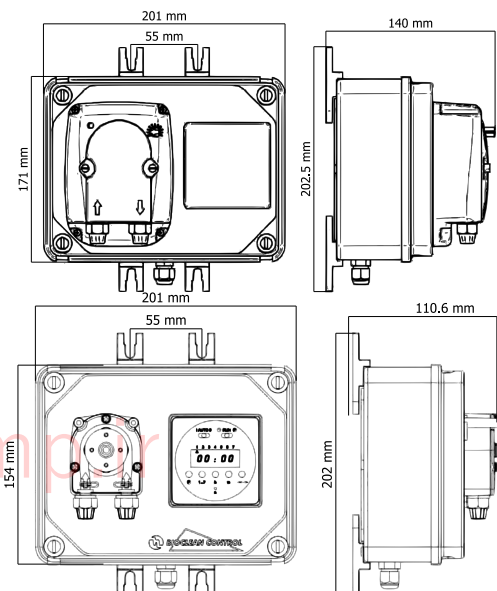


## WATER TREATMENT kit

FPM peristaltic pumps water treatment accessories: 2 m polyethylene tube (4x6mm), 2m PP crystal tube (4x6mm), 3/8" PVC-FPM injection valve, PP foot filter without check valve..

SCO 00 007 01

### Overall Dimensions





# Laundry Control System

The Laundry-S is an automatic system able to manage the supply of detergents and additives in liquid dosage systems for industrial laundries, able to simultaneously manage up to 4 washing machines, automatically controlling 7 dosing devices, which may be of the peristaltic type, electromagnetic or electro-mechanical.

## General Features

- 230V
- Control up to 7 feeders and 4 different washing machines
- 10 to 128 instructions for each of the 4 washers
- Auto recovery after power failure
- Easy and simple programming
- Input Level control
- alarm output end products
- Programmable phases delay
- Priming and pumps calibration functions.

## TECHNICAL DETAILS OF THE CONTROLLER

- N. 7 outputs for peristaltic dosing pumps
- 5 outputs for solenoid valves (one input)
- 1 alarm output
- 1 RS485 port for connection to SATELLITE device
- 1 input for Controller powering
- 1 level control input.

## TECHNICAL DETAILS OF THE SATELLITE

- 1 RS485 port for connecting to controller unit and to an additional satellite unit (up to a maximum of 4)
- N. 6 inputs to be connected to the washing machine to detect the status of the program in progress
- 1 output for machine safety block



The complete system consists of:

- Controller Unit up to 40 programs for each plant; the programs are contained inside the internal memory of the controller and can be written directly on the controller or through a special pc software, in this case you need a portable memory, with USB connector
- Satellite Unit (one for each washing machine with a maximum of 4)
- Master solenoid-valve (water inlet)
- Manifold Solenoid metering up to seven seats with non-return valves
- Dosing equipments (with a maximum of 7)
- solenoid or pneumatic valves for the dosing management in the various washing machines for a maximum of 4
- USB memory for configuration via software (optional).

### ITALIAN VERSION

CONTROLLER	
RCA 02014 02	€ 680,00

### ITALIAN VERSION

SATELLITE	
RCA 01013 02	€ 272,00



## ACCESSORIES

Accessories	
EPDM Electro-valve master	AEV 00001 02
3/8" Collector dosing seven-seater	DTC 00072 01
PP 3/8" Non return valve	SVA 00300 02
PVDF 3/8" Non return valve	SVA 00300 01
PVC Pneumatic Valve	AVA 00021 01
USB memory	SCA 00170 01
Pneumatic control for 4 machines kit	AKT 00036 01

DosingPump.ir



# ACCESSORIES



## COMPLETE HOSE + ROLLERS HOLDER KIT

model	l/h	bar	tubes	
F	0.5 - 1.1 - 2.2 - 3.3 - 6.0	1	Ø 4x7 mm Santoprene®	KTU 00008 01
F	0.5 - 1.1 - 2.2 - 3.3 - 6.0	1	Ø 4x7 mm Silicone	KTU 00008 02
EPOOL / B-F	1.5 - 3	1.5	Ø 4,8x8 mm Santoprene®	KTU 00051 01
EPOOL / B-F	1.5 - 3	1.5	Ø 4,8x8 mm Tygoprene	KTU 00051 05
B-3V	1	3	Ø 3,2x9,6 mm Santoprene®	KTU 00012 01
B-3V	1	3	Ø 3,2x9,6 mm Silicone	KTU 00012 02
B-3V	1	3	Ø 4,8x9,6 mm Norprene®	KTU 00012 03
B-3V	4	3	Ø 4,8x9,6 mm Santoprene®	KTU 00013 01
B-3V	4	3	Ø 4,8x9,6 mm Silicone	KTU 00013 02
B-3V	4	3	Ø 4,8x9,6 mm Norprene®	KTU 00013 03
B-3V	12	1	Ø 6x9 mm Silicone	KTU 00011 02
B-3V	12	1	Ø 6,4x9,6 mm Norprene®	KTU 00014 13
B-3V	12	1	Ø 6x9 mm Santoprene®	KTU 00011 01
B-FCD	1	3	Ø 3,2x9,6 mm Silicone	KTU 00012 02
B-FCD	1	3	Ø 3,2x9,6 mm Santoprene®	KTU 00012 01
B-FCD	3	3	Ø 4,8x9,6 mm Silicone	KTU 00013 02
B-FCD	3	3	Ø 4,8x9,6 mm Santoprene®	KTU 00013 01
B-FCD	6	1	Ø 6x9 mm Silicone	KTU 00011 02
B-FCD	6	1	Ø 6x9 mm Santoprene®	KTU 00011 01
B-FCD	10	1	Ø 6x9 mm Silicone	KTU 00011 02
B-FCD	10	1	Ø 6x9 mm Santoprene®	KTU 00011 01
EPOOL	2	2	Ø 4,8x9,6 mm Santoprene®	KTU 00013 01
EPOOL	2	2	Ø 4,8x9,6 mm Silicone	KTU 00013 02
EPOOL	3	3	Ø 4,8x9,6 mm Santoprene®	KTU 00013 01
EPOOL	3	3	Ø 4,8x9,6 mm Silicone	KTU 00013 02



## COMPLETE HOSE

model	l/h	bar	tubes	
F	0.5 - 1.1 - 2.2 - 3.3 - 6.0	1	Ø 4x7 mm Santoprene®	RTU 00008 01
F	0.5 - 1.1 - 2.2 - 3.3 - 6.0	1	Ø 4x7 mm Silicone	RTU 00008 02
EPOOL / ETWIN / B-F	1.5 - 3	1.5	Ø 4,8x8 mm Santoprene®	RTU 00051 01
EPOOL / ETWIN / B-F	1.5 - 3	1.5	Ø 4,8x8 mm Tygoprene	RTU 00051 05
B-3V	1	3	Ø 3,2x9,6 mm Santoprene®	RTU 00012 01
B-3V	1	3	Ø 3,2x9,6 mm Silicone	RTU 00012 02
B-3V	1	3	Ø 4,8x9,6 mm Norprene®	RTU 00012 03
B-3V	4	3	Ø 4,8x9,6 mm Santoprene®	RTU 00013 01
B-3V	4	3	Ø 4,8x9,6 mm Silicone	RTU 00013 02
B-3V	4	3	Ø 4,8x9,6 mm Norprene®	RTU 00013 03
B-3V	12	1	Ø 6x9 mm Silicone	RTU 00011 02
B-3V	12	1	Ø 6,4x9,6 mm Norprene®	RTU 00014 13
B-3V	12	1	Ø 6x9 mm Santoprene®	RTU 00011 01
B-FCD	1	3	Ø 3,2x9,6 mm Silicone	RTU 00012 02
B-FCD	1	3	Ø 3,2x9,6 mm Santoprene®	RTU 00012 01
B-FCD	3	3	Ø 4,8x9,6 mm Silicone	RTU 00013 02
B-FCD	3	3	Ø 4,8x9,6 mm Santoprene®	RTU 00013 01
B-FCD	6	1	Ø 6x9 mm Silicone	RTU 00011 02
B-FCD	6	1	Ø 6x9 mm Santoprene®	RTU 00011 01
B-FCD	10	1	Ø 6x9 mm Silicone	RTU 00011 02
B-FCD	10	1	Ø 6x9 mm Santoprene®	RTU 00011 01
EPOOL	2	2	Ø 4,8x9,6 mm Santoprene®	RTU 00013 01
EPOOL	2	2	Ø 4,8x9,6 mm Silicone	RTU 00013 02
EPOOL	3	3	Ø 4,8x9,6 mm Santoprene®	RTU 00013 01
EPOOL	3	3	Ø 4,8x9,6 mm Silicone	RTU 00013 02



## COMPLETE HOSE

model	l/h	tubes	
BH3-V	100	Ø 9,6x15,9 mm - 28,0 cm Norprene®	STU 00021 13
BH3-V	100	Ø 9,6x15,9 mm - 28,0 cm Silicone	STU 00021 15
BH3-V	100	Ø 9,6x15,9 mm - 28,0 cm Santoprene®	STU 00021 11
BH3-V	100	Ø 9,6x15,9 mm - 28,0 cm Tygon LFL	STU 00021 14



**EPDM DETERGENT KIT**

EPDM peristaltic pumps detergent accessories: 4m PVC crystal tube (4x6mm), 90° injection nipple for free discharge, stainless steel foot filter with EPDM check valve.

EPDM detergent accessories	
	SCO 00002 02



**FPM BRIGHTENER KIT**

FPM peristaltic pumps brightener accessories: 3 m polyethylene tube (4x6mm), 2m PVC crystal tube (4x6mm), nickel plated brass ball injection valve, stainless steel foot filter with FPM check valve.

FPM brightener accessories	
	SCO 00003 01



**WATER TREATMENT KIT**

FPM peristaltic pumps water treatment accessories: 2 m polyethylene tube (4x6mm), 2m PP crystal tube (4x6mm), 3/8" PVC-FPM injection valve, PP foot filter without check valve.

water treatment accessories	
	SCO 00007 01



**DETERGENT INJECTION VALVE**

PP 90° injection nipple for free discharge, 12 mm.

detergent injection valve	
PP	SRA 00069 01
INOX 316	ARA 00041 01



**BRIGHTNER INJECTION VALVE**

Brightner 1/8" GM injection valve to dose into boiler. Nickel plated brass ("O" ring FPM - Viton®, stainless steel ball).

brightner injection valve	
1/8" GM	21 440 04
1/8" GM - INOX 316	21 440 74



**PVC INJECTION VALVE**

3/8" PVC injection valve, check valve inclusive.

PVC injection valve	
FPM (Viton®)	21 440 32
EPDM (Dutral®)	SVA 00059 01



**SS FOOT FILTER**

Stainless steel foot filter with or without check valve.

stainless steel foot filter	
EPDM (Dutral®)	21 420 29
FPM (Viton®)	21 420 28
Silicone	21 420 26
Without valve	21 420 27



**CONDUCTIVITY PROBE**

Conductivity electrode with two stainless steel sensors AISI 316 Cell constant k=1 suitable for B-FCD dosing pump. 3 mt - 9.8 feet cable.

conductivity probe	
400 - 20.000µS - 1/2" GM - PVC	21 380 04



# eControl

“Measure and control instruments”

eControl series controllers are designed to be used in all applications where continuous measurement of the chemical parameters of the water is required. They are made with the use of micro-controllers and have a galvanically isolated measurement stage. The versions are available with single or double measuring channels, independently configurable

### General Features

- Controllers with 1 or 2 measure channels
- Measures available: pH, Redox 8mV), Chlorine (ppm) and temperature (C°)
- Timer mode
- Temperature compensation, automatic (by PT100 probe) or manual
- 4-20 mA output, one for each measure
- 2 set-point with each measure, ON/OFF or proportional working mode
- Hysteresis adjustable on set-point value; delay time on relay activation
- Alarm MIN e MAX with the measure value
- Alarm relay, NO or NC (selectable from the user)
- Graphic display backlighted
- Terminal block easy to access by the removal front cover
- Wall mounting version (IP65 protection degree) supplied with mounting bracket
- Input for level probe and level sensor

eControl	
1 measure 100/250V	CXB 70001 01
2 measures 100/250V	CXB 70002 01

Available also the version with box DIN (6 modules) and Rack (72x144), only for the version pH/Rx



# eControl Din

(DIN 43880 - 106 x 120.3 x 58 mm)

DIN	
90 - 260Vac	CXR 70001 01



# eControl Rack

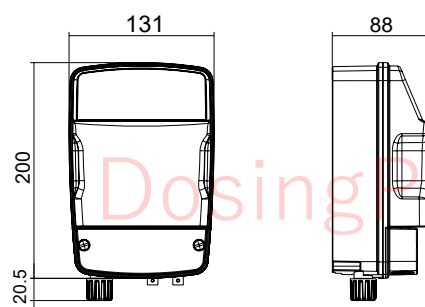
(DIN 43700 - 72 x 144 x 115 mm)


Rack	
da 90 a 260Vac	CXR 70011 01

### Technical Features

Models	1 measure channel	2 measure channels	
Functions	pH, Redox (mV), Chlorine (ppm), selectable from the user		
Measure range	pH 0...14,00	Redox (mV) -1000...+1400	Chlorine (ppm) 0...2 / 0...10 / 0...200    Temperature (C°) 0...100
Display	Graphic backlighted		
User Interface	5 keys keypad		
Relay	5 A - 230 V, free contact		
Hysteresis	Programmable on the setpoint value		
Delay time	Programmable on set-point value for the relay activation		
Output	4-20 mA (1 for each measure) programmable from the user		
Power supply	100,,230 V		
Box	Wall mounting (IP65) / DIN rail / Rack (72x144)		

### Overall Dimensions



Dosing Pump.i  (standard)



# eSelect M TOUCH “Measure and control Instruments”

eSelect-M TOUCH series is a family of controllers with four measure channels plus temperature). The wide 7” touch display and the user-friendly navigation make it a very simple product for the end-user. Designed for the EtaCloud connection, thanks to the optional extra connection kit the eSelect-M TOUCH can be managed remotely.

## General Features

- Measures: pH, Redox (mV), Free Chlorine (ppm) Total Chlorine (ppm) and temperature (C°)
- Standard version: pH - Rx - CL- CL
- N.1 4-20mA outputs, programmable from the user, for each measure
- Chlorine measure (ppm) by selective membrane sensor or amperometric cell Platinum-Copper
- 1 set-point for each measure, ON/OFF mode or PWM (Pulse Width Modulation); (2 set points only for the first measure)
- Adjustable hysteresis on set-point value; delay time on activation relay
- Alarm MAX and MIN mode on each measure
- Overdosing Alarm (excessive dosing time) for each measure
- Alarm relay, NO
- LCD Touch Display (800x480 pixel)
- Timer built-in to manage start/stop of the controller
- Start-up delay
- N.1 inputs for level probe for each measure
- Flow sensor input
- 3 Time-programmable AUX outputs
- Possibility to enter Administrator Password

**NEW**



## Technical Features

Models	3 measure channels	4 measure channels
Functions	pH, Redox (mV), Chlorine (ppm), selectable from the user	
Measure range	pH 0...14,00	Redox (mV) -1000...+1400 Chlorine (ppm) - PPM 0...2 / 0...5 / 0...10 / 0...20 / 0...200 / 0...2000 Temperature (C°) 0...100
Display	7” LCD Touch Display 800x480 Pixel	
User Interface	Touch Screen	
Relay	5 A - 230 V, free contact	
Hysteresis	Programmable on the set-point value	
Delay time	Programmable with set-point value to close or open the relay contact	
Output	4-20 mA signals programmable from the user, 500 ohm maximum load impedance, with galvanic separation	
Auxiliary output	Relay connected with timer function	
Power supply	100,,,230 V - 50/60 Hz - 6W	
RS485/Ethernet	Modbus protocol with Etacloud software, for the remote control via PC, smartphone or tablet	
Box	120x200x90,5 in ABS, protection degree IP65	

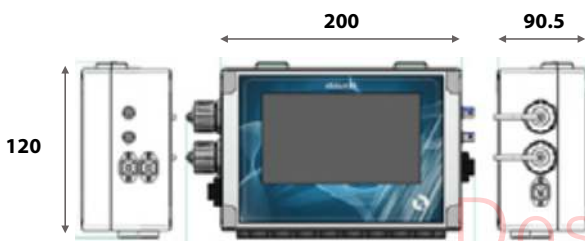
## ETA CLOUD



The **EtaCloud** software supports remote control of all the operating and programming parameters of the eSelect-M. The user, via smartphone, tablet or PC, can perform all monitoring and control operations from the device connected to the Internet, exactly as if he is facing the controller. The software sends - via email - alarms and status changes to the operator, thus enabling remote technical service.

The connection with **EtaCloud** takes place thanks to the **Connectivity Kit** (not included with the instrument), which consists of an RS485/USB cable, an external module and a 5V power supply.

## Overall Dimensions



## Connectivity kit

Etacloud connection is possible through the connectivity kit which is purchased separately. The kit is made up of an external black module, RS485/USB cable (to be connected to the controller) and a power supply. LAN cable is required to be connected to the router or extender.



KST 00001 01

# eSELECT M SERIES & CONTROLLERS



The eSelect M is a multi-function measuring instrument featuring one (M1), two (M2) or three (M3) measurement parameters suitable for measuring the pH, Rx (Redox), Free CHLORINE (Residual), Total CHLORINE and Conductivity.

The eSelect M range, along with high quality performances and advanced functions, offers several characteristics that make it versatile and easy to use.

#### Common Features:

- pH and Rx can be selected on the same model by simply programming and using the related probe;
- Free or Total Chlorine measure may be chosen on the basis of the type of sensor used and the relative measuring range: - ion-selective membrane sensors with measure ranges 0-2 Cl ppm; 0-20 Cl ppm; 0-20 Cl ppm (Total); - open type amperometric cell (model CLC) with measure range 0-10 Cl ppm
- Timed AUX outputs programming; Adjustable timer mode; switch-on time programming.
- Suitable for software EtaCloud connection; optional accessory: connectivity kit
- Available boxes: wall mounting (IP65)
- Back-lighted graphic display (128x64)
- Start-up delay
- Alarm relay, NO or NC programmable from the user
- Automatic temperature compensation, (by PT100 probe o NTC) or manual





# M1 CD Cool

“Instruments to measure and control the electric conductivity”

eSelect-M1 CD Cool is an electrical conductivity measurement and control instrument, specifically designed for cooling towers. The programming menu contains functions specifically designed for this application, while a wide graphic display and a user-friendly navigation menu make it a very simple product for the end users.

### General Features

- Automatic monitoring of dosing pumps and solenoid valve by the conductivity measure or by the timer;
- Measure: electric conductivity and temperature (C°)
- Two 4-20mA output, programmable by the user
- 4 set-point outputs, ON/OFF PWM (Pulse Width Modulation) working mode;
- Adjustable Hysteresis on the set-point value; delay time on relay activation
- MAX and MIN alarm on the value measure
- Overdosing Alarm (excessive dosing time)
- Timer built-in for start/stop control of the instrument
- Alarm relay
- Accurate dosing of the chemicals, inhibitor and two biocides;
- Four operative modes for inhibitor dosing;
- Biocides dosing cycles programmable by timer or clock;
- Flow sensor input
- Level probe input

CD COOL	
CXB 50 181 01	100/240V
CXB 50 182 01	12/24V

**Discharge solenoid valve control**, both with conductivity value and in timer mode.

**Inhibitor dosing control**, directly according to the water discharge (solenoid valve closing) or via internal timer, with the possibility of the proportional dosing via water-meter pulse-sender

**Biocide dosing control**, with the possibility of controlling two dosing pumps for the biocide with two dosing programs; timed programming with 99 programs for each biocidal product; possibility of blocking pumps during water discharge (solenoid valve open)



# M1

“Measure and control instruments”

eSelect-M1 series is a family of controllers with one channel measure (+ temperature). The wide graphic display and the user-friendly navigation make it a very simple product for the end-user. Predisposed for EtaCloud connection, thanks to the “Connection Kit” (not included with the controller) the eSelect-M1 can be managed in a remote way.

### General Features

- Available measures: pH, Redox (mV), Free Chlorine (ppm), Total Chlorine (ppm),
- Conductivity and temperature (C°)
- Chlorine measure (ppm) by selective membrane sensor or amperometric cell Platinum-Copper
- 2 set-point, ON/OFF mode or PWM (Pulse Width Modulation);
- Version pH or Redox, selectable from the user
- Timer mode, connected to auxiliary relay
- N.2 4-20mA outputs, programmable from the user
- Adjustable hysteresis on set-point value; delay time on activation relay
- Alarm MAX and MIN mode on measure value
- Overdosing Alarm (excessive dosing time)
- Timer built-in to manage start/stop of the controller
- Input for level sensor or flow sensor

M1 CD	
CXB 50 161 01	100/240V
CXB 50 162 01	12/24V
M1 pH (Rx)	
CXB 50 201 01	100/240V
CXB 50 202 01	12/24V
M1 Cl	
CXB 50 251 01	100/240V
CXB 50 252 01	12/24V



# SR

(DIN 43700 - 96 x 96 x 126 mm)

- Suitable for software EtaCloud connection; optional accessory: connectivity kit.

SR CD	
CXR 50053 01	100/240V
CXR 50063 01	12/24V
SR pH (Rx)	
CXR 50051 01	100/240V
CXR 50061 01	12/24V
SR Cl	
CXR 50052 01	100/240V
CXR 50062 01	12/24V



# M2

“Measure and control instruments”

eSelect-M2 series is a family of controllers using two measurement channels plus temperature. The wide graphic display and the user-friendly navigation make it a very simple and intuitive product for end-users. Predisposed for EtaCloud connection, thanks to the “Connection Kit” (not included with the controller), the eSelect-M2 can be managed remotely.

### General Features

- Measures: pH, Redox (mV), Free Chlorine (ppm), Total Chlorine (ppm), Conductivity and temperature (C°)
- Version pH or Redox, selectable from the user
- Standard versions: pH(Rx)-pH(Rx); pH(Rx)-Cl; pH(Rx)-CD
- Timer mode, connected to auxiliary relay
- N.2 4-20mA outputs, programmable from the user
- Chlorine measure (ppm) by selective membrane sensor or amperometric cell Platinum-Copper
- 2 set-point for each measure, ON/OFF mode or PWM (Pulse Width Modulation);
- Adjustable hysteresis on set-point value; delay time on activation relay
- Alarm MAX and MIN mode on each measure
- Overdosing Alarm (excessive dosing time) for each measure
- Timer built-in to manage start/stop of the controller
- N.2 inputs for level sensor
- Flow sensor input

pH-Rx	
CXB 50 401 01	100/240V
CXB 50 402 01	12/24V
pH(Rx)-Cl	
CXB 50 351 01	100/240V
CXB 50 352 01	12/24V
pH(Rx)-CD	
CXB 50 301 01	100/240V
CXB 50 302 01	12/24V





# M3

## “Measure and control instruments”

eSelect-M3 series is a family of controllers with three channels measures (+ temperature). The wide graphic display and the user-friendly navigation make it a very simple product for the end-user. Predisposed for Etacloud connection, thanks to the “**Connection Kit**” (not included with the controller) the eSelect-M3 can be managed in a remote way.

### General Features

- Measures: pH, Redox (mV), Free Chlorine (ppm) and temperature (C°)
- Standard version: pH – Rx – CL
- Timer mode, connected to auxiliary relay
- N.3 4-20mA outputs, programmable from the user
- Chlorine measure (ppm) by selective membrane sensor or amperometric cell Platinum-Copper
- 2 set-point for each measure, ON/OFF mode or PWM(Pulse Width Modulation);
- Adjustable hysteresis on set-point value; delay time on activation relay
- Alarm MAX and MIN mode on each measure
- Overdosing Alarm (excessive dosing time) for each measure
- Timer built-in to manage start/stop of the controller
- N.3 inputs for level sensor
- Flow sensor input

pH-Rx-CL	
CXB 50 451 01	100/240V
CXB 50 452 01	12/24V

### Technical Features

Models	1 measure channels	2 measure channels	3 measure channels
Functions	pH or Redox (programmable from the user), Chlorine (ppm), Conductivity, Temperature		
Measure range	pH 0...14,00	Redox (mV) -1000...+1400	Chlorine (ppm) 0...2 / 0...10 / 0...200
Display	Graphic back-lighted 128x64		
User Interface	Keyboard 4 keys		
Relay	5 A - 230 V, free contact		
Hysteresis	Programmable on the set-point value		
Delay time	Programmable with set-point value to close or open the relay contact		
Output	n.2 4-20 mA, signals programmable from the user 500 ohm maximum load impedance, with galvanic separation		
Auxiliary output	Relay connected with timer function		
Power supply	100,,,230 V – 50/60 Hz – 6W		
RS485/Ethernet	Modbus protocol with Etacloud software, for the remote control via PC, smartphone or tablet (NO FOR CD COOL)		
Box	in ABS, protection degree IP65		

### ETA CLOUD



The **EtaCloud** software supports remote control of all the operating and programming parameters of the eSelect-M. The user, via smartphone, tablet or PC, can perform all monitoring and control operations from the device connected to the Internet, exactly as if he is facing the controller. The software sends - via email - alarms and status changes to the operator, thus enabling remote technical service.

The connection with **EtaCloud** takes place thanks to the **Connectivity Kit** (not included with the instrument), which consists of an RS485/USB cable, an external module and a 5V power supply.

### Overall Dimensions



### Connectivity kit

Etacloud connection is possible through the connectivity kit (to be purchased separately). The kit is made up of an external black module, RS485/USB cable (to be connected to the controller) and a power supply. LAN cable is required to be connected to the router or extender.



KST 00001 01

DosingPump.ir

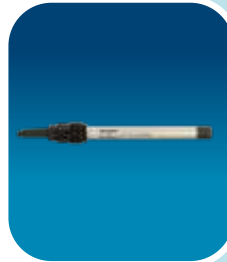




# AG-S/Control Oxygen

The "AG S/Control" series, based on microprocessor technology, ensures a cost effective solution for the measurement and control of dissolved oxygen. Backlit graphic display, 2 set-points for ON-OFF/Proportional interventions, 2 galvanic separate programmable 4-20 mA outputs, maximum dosing alarm, relay output alarm, relay output for probes cleaning.

AG-S/Control	
OXYGEN	CXB 00097 01



## ET-OXY1 Electrode

Electrode for the measurement of dissolved oxygen, INOX body, 0-20 ppm measurement range, maximum temperature 60°C, pressure range 0-4 bar, membrane with Platinum/Silver electrodes, automatic temperature compensation, 12 mm body diameter, PG13,5 screw connector, 5m cable.

ASO 000391



# AG-S/Control Turbidity

The "AG S/Control" series, based on microprocessor technology, ensures a cost effective solution for the measurement and control of turbidity. Backlit graphic display, 2 set-points for ON-OFF/Proportional interventions, 2 galvanic separate programmable 4-20 mA outputs, maximum dosing alarm, relay output alarm, relay output for probes cleaning.

AG-S/Control	
TURBIDITY 0-20 NTU	CXB 00091 01
0-200 NTU	CXB 00091 11



## OUTFLOW Electrode

Outflow electrode for the detection of turbidity, operating according to the method NTU by a photodiode which reveals the quantity of reflected light, range 0-1000 NTU, maximum pressure 1 bar, recommended constant flow 1-15 l/h, PVC body, 1/2" nipple connector - tube with diameter 10x14 mm

ASO 000691

Probe and electrodes supplied upon request

# CONTROL AND REGULATING SYSTEMS



## pH-Rx Control Unit

Control and regulation system for pH and Redox, made of eSELECT-M2 controller, block valves, connection for tube 10x14 mm, water filter with washable net cartridge 150 microns, methacrylate probe holder, pH electrode with plastic body with cable 1 mt (Tmax=60° C Pmax=6 bar) working range 0-14 pH, Redox electrode with plastic body with cable 1 mt (Tmax=60° C Pmax=6 bar) working range ± 1.000 mV, 4 buffer solution 55ml bottles (pH 4, 7, 9 and Redox 650 mV), 2 manual pumps wiring connection available in the central box trunking. Suitable for software EtaCloud connection; optional accessory: connectivity kit.

pH-Rx	
eSelect M2 (it-en)	QPA 510110 02
eControl 2	QPA 5W110 02
without controller	QPA 5A110 02
2 ePool 3-3	QPA 5U110 02

Panel dimensions 400 x 600 x 0.80 mm



## pH-Rx-F Control Unit

“with flow control and adjustment system”

Control and regulation system for pH and Redox, made of eSELECT-M2 controller, block valves, connection for tube 10x14 mm, water filter with washable net cartridge 150 microns, methacrylate probe holder with proximity switch and adjustment flow system, manual sampling, pH electrode with plastic body with cable 1 mt (Tmax=60° C Pmax=6 bar) working range 0-14 pH, Redox electrode with plastic body with cable 1 mt (Tmax=60° C Pmax=6 bar) working range ± 1.000 mV, 4 buffer solution 55ml bottles (pH 4, 7, 9 and Redox 650 mV), 2 manual pumps wiring connection available in the central box trunking. Suitable for software EtaCloud connection; optional accessory: connectivity kit.

pH-Rx-F	
eSelect M2 (it-en)	QPA 510110 62
eControl 2	QPA 5W110 12
without controller	QPA 5A110 12

Panel dimensions 400 x 600 x 0.80 mm



## P Cl-F Control Unit

“with flow control and adjustment system”

Control and regulation system for free chlorine, made of eSELECT-M1 controller, block valves, connection for tube 10x14 mm, water filter with washable net cartridge 150 microns, methacrylate probe holder with proximity switch and adjustment flow system, manual sampling, free inorganic and organic chlorine probe, (0 – 20) ppm measuring range, probe shows low pH dependence (pH working range 4- 12 pH), chlorine measuring is not affected by isocyanuric acid, surfactants/floculants presence, the probe is automatic temperature-compensated, 0,7 mt probe cable, 1 manual pump wiring connection available in the central box trunking. The unit required a constant flow rate between 30 and 40 l/h, do not exceed the maximum operating pressure of 1 bar (free discharge at probe holder outlet) while water temperature cannot overcome 45°C. The probe has integrated temperature compensation. Suitable for software EtaCloud connection; optional accessory: connectivity kit.

Cl-F P (0-2 ppm)	
eSelect M1 (it-en)	QPT 307003 62
eControl 1	QPT 30X007 12
without controller	QPT 30A003 12

Cl-F P (0-20 ppm)	
eSelect M1 (it-en)	QPT 307002 62
eControl 1	QPT 30X006 12
without controller	QPT 30A002 12

Panel dimensions 400 x 600 x 0.80 mm





# pH-Cl-F P Control Unit

“with flow control and adjustment system”

Control regulation system for free chlorine and pH, made of eSELECT-M2 controller, block valves, connection for tube 10x14 mm, water filter with washable net cartridge 150 µm, methacrylate probe holder with proximity switch and adjustment flow system, manual sampling, free inorganic/organic chlorine probe, (0 – 20) ppm measuring range, probe shows low pH dependence (pH working range 4-12 pH), chlorine measuring is not affected by isocyanuric acid or surfactants/flocculants, the probe is automatic temperature-compensated, 0,7 mt probe cable, pH electrode with plastic body 1 metre cable (Tmax=60° C Pmax=6 bar) working range 0-14 pH, 3 buffer solution 55ml bottles (pH 4, 7 and 9), 2 manual pumps wiring connection available in the central box trunking. The unit needs a constant flow rate between 30 and 40 l/h, do not exceed maximum operating pressure of 1 bar (free discharge at probe holder outlet) while water temperature cannot overcome 45°C. The probe has integrated temperature compensation. Suitable for software EtaCloud connection; optional accessory: connectivity kit.



pH-Cl-F P (0-2 ppm)		pH-Cl-F P (0-20 ppm)	
eSelect M2 (it-en)	QPT 610103 62	eSelect M2 (it-en)	QPT 610102 62
eControl 2	QPT 60W107 12	eControl 2	QPT 60W106 12
without controller	QPT 60A103 12	without controller	QPT 60A102 12

Panel dimensions 400 x 600 x 0.80 mm



# pH-Rx-Cl-F P Control Unit

“with flow control and adjustment system”

Control and regulation system for free chlorine, pH and Redox, made of eSelect-M3 controller, block valves, connection for tube 10x14 mm, water filter with washable net cartridge 150 microns, methacrylate probe holder with proximity switch and adjustment flow system, manual sampling, free inorganic and organic chlorine probe, (0 – 20) ppm measuring range, probe shows low pH dependence (pH working range 4-12pH), chlorine measuring is not affected by isocyanuric acid, surfactants/flocculants presence, the probe is automatic temperature-compensated, 0,7 mt probe cable, pH electrode with plastic body with cable 1 mt (Tmax=60° C Pmax=6 bar) working range 0-14 pH, Redox electrode with plastic body with cable 0,5 mt (Tmax=60° C Pmax=6 bar) working range ± 1.000 mV, 4 buffer solution 55ml bottles (pH 4, 7, 9 and Redox 650 mV), 2 manual pumps wiring connection available in the central box trunking. The unit required a constant flow rate between 30 and 40l/h, do not exceed the maximum operating pressure of 1 bar (free discharge at probe holder outlet) while water temperature cannot overcome 45°C. The probe has integrated temperature compensation. Suitable for software EtaCloud connection; optional accessory: connectivity kit.



pH-Rx-Cl-F P (0-2 ppm)		pH-Rx-Cl-F P (0-20 ppm)	
eSelect M3 (it-en)	QPT 811113 62	eSelect M3 (it-en)	QPT 811112 62
without controller	QPT 80A113 12	without controller	QPT 80A112 12

Panel dimensions 400 x 600 x 0.80 mm

**NEW**

## ETA CLOUD



The **EtaCloud** software supports remote control of all the operating and programming parameters of the eSelect-M. The user, via smartphone, tablet or PC, can perform all monitoring and control operations from the device connected to the Internet, exactly as if he is facing the controller. The software sends - via email - alarms and status changes to the operator, thus enabling remote technical service.

The connection with **EtaCloud** takes place thanks to the **Connectivity Kit** (not included with the instrument), which consists of an RS485/USB cable, an external module and a 5V power supply.

## Connectivity kit



Etacloud connection is possible through the connectivity kit (to be purchased separately). The kit is made up of an external black module, RS485/USB cable (to be connected to the controller) and a power supply. LAN cable is required to be connected to the router or extender.



KST 00001 01



# ePhoton

Photometric controller with microprocessor technology. Wall mounting, electronic size IP65 protection degree. Backlighted graphic Display. Internal data logger with 4MB memory Flash and 4MB for data storage. Free Chlorine and combined Chlorine: measure range 0.00-5.00 ppm, resolution  $\pm 0.01$  ppm Cl<sub>2</sub>; accuracy  $\pm 2\%$ , repeatability 98%. Selectable analysis time: 3...999 minutes pH measure: measure range 0.00-14.00 pH, resolution  $\pm 0.01$  pH. accuracy  $\pm 1\%$  Rx measure: measure range -1500...+1500 mV, resolution  $\pm 1$  mV. accuracy  $\pm 1\%$  Temperature measure (Pt1000 sensor): measure range 0.0 ÷ 50.0°C, resolution  $\pm 0.1$ °C. accuracy  $\pm 0.2$ °C, repeatability 99%.

## General Features

- Set point Chlorine and Set point pH: Nr. 2 Relay outputs ON and OFF selectable, proportional in PWM mode, max 5A - 250V, timed output, priority clock output during the 24H.
- Set point Redox and Set point combined Chlorine: Nr. 1 Relay output ON and OFF selectable, proportional in PWM mode, max 5A - 250V, timed output
- Relay output for anti-algae/flocculant with clock selectable control during the 24H, max 5A, 230V
- General alarm relay, max 5A - 250V (water absence, reactive absence, Time-Out set point Chlorine/pH, measure cell dirty or damaged, led faulty)
- Digital input for set-point inhibition
- working temperature 5 - 45 C. working humidity 10 - 95%
- RS485 connection (MODBUS RTU protocol)
- power supply 85-265Vac / 50-60Hz.

Panel dimension 640 x 700 x 240



ePhoton	
pH-Rx-C°-Cl free	QXB 00031 01
Version equipped with current output	QXB 00031 02

ePhotonN/C	
pH-Rx-C°-Cl free-Cl total	QXB 00032 01
Version equipped with current output	QXB 00032 02

Replacement reagents Kit	
free Chlorine	ASZ 00030 01
total Chlorine	ASZ 00031 01

Kit di montaggio	
Consisting of the complete filter cartridge, ball valve, PVC pipes and fittings	KPA 00018 01



# ePhoton EL pH-Cl<sub>2</sub>/T

Photometric, fibre optic, multi-parameter microprocessor control unit. Wall mounting with degree of protection of the electronic section IP65. Backlit graphic display. Measurement of free chlorine 0.00-5.00 ppm, resolution  $\pm 0.01$  ppm Cl<sub>2</sub>. Accuracy  $\pm 2\%$ , repeatability 98%. Programmable analysis time from 2 to 300 minutes pH measurement: Measuring range 0.00-14.00 pH, resolution  $\pm 0.01$  pH. Accuracy  $\pm 1\%$  Measurement Temperature (NTC sensor). Measuring range 0.0 - 50.0°C, Resolution  $\pm 0.1$ °C. Accuracy  $\pm 0.2$ °C, repeatability 99%.

## General Features

- Chlorine/ pH set point: No. 3 ON/OFF relay outputs ( 2 for Cl<sub>2</sub> - 1 for Ph . Max load 3A - 230V.
- Relay Cumulative alarm, max load 3A - 230V (lack of water through static flow sensor, lack of reactive Time-Out set point chlorine/pH, dirty/foul cell, burnt-out led).
- Working temperature 5 - 55 °C. Operating humidity 10 - 95%.
- Provision for display repetition via radio and PC - GPRS connection for web connection web
- - Hydraulic circuit under pressure
- - Power supply 85-265Vac / 50-60Hz.



ePhoton EL pH-Cl <sub>2</sub> /T
QXB 00035 01

DosingPump.ir



# PORTABLE INSTRUMENTS - for calibration



## POOLTESTER AF 105 LOVIBOND

Test for water analysis of Free Chlorine (with DPD method) and pH measured simultaneously in two independent cells.  
Measurement range: Cl 01.-3.0mg/l, pH 6,8 - 8,2.

Reagent for manual tester. DPD method for measurement of Free Chlorine and Bromine in water.

Blister pack for manual tester containing 30 tablets for Free Chlorine (DPD1) and 30 tablets for pH level.

Reagent for manual tester for determination of pH level.

Reagent for manual tester to determine the value of Free Chlorine (DPD1 method) and Total chlorine (DPD1+DPD3 method).

pool tester AF 105	
af 105	AKT 00005 01

DPD1 rapid reagent	
500pcs	AKT 00006 01

Blister pack	
30 DPD1 Rapid + 30 pH Rapid	AKT 00009 01

PH rapid reagent	
500pcs	AKT 00008 01

DPD3 rapid reagent	
500pcs	AKT 00007 01



## MD200 ELECTRONIC PHOTOMETER

Clock and data integrated storage analyzes backlit display, auto power off, OTZ one time zero Waterproof IP68 - Infrared interface for transmitting and printing data, reliability Supplied with carrying case, reagents in packs of 100 tablets, vials and manual in Italian Series D200 is designed for detecting chlorine-HR DPD1 DPD3 0.1 to 10 ppm (reagents on request). MEASURES 3-Chloro-pH Stabilizer: Reagents supplied DPD1 + DPD3 + pH + Cya, Chlorine 0.01 to 6.00 ppm - pH 6.5 to 8.4 - Cya 0-160 ppm. 5 MEASURES CL-PH-CYS-TA-CAH: Reagents supplied DPD1 + DPD3 pH + Cya + Hardness + Alkalinity Chlorine 0,01 to 6,00 ppm - pH 6,5 to 8,4 - Cya 0-160 ppm hardness 0-500 mg/l - Alkalinity 5-200 thousand.

md200 electronic photometer	
3 measures	CXB 00080 01
5 measures	CXB 00081 01



## SCUBA II

The series MicroDirect for the determination of pH has a system waterproof and dustproof (IP67). All instruments feature automatic shut-off and hold function, which, by pressing a button, allows you to "freeze" the value shown on the display.

Scuba II	
	CXB 00085 01



## REAGENTS FOR MD200 AND SCUBA II

Reagents for MD200 and SCUBA II photometer		
DPD1 reagent	100pc	AKT 00029 05
DPD3 reagent	100pc	AKT 00029 04
DPD4 reagent	100pc	AKT 00029 03
PH reagent	100pc	AKT 00029 02
Cyanuric Acid reagent	100pc	AKT 00029 06



## PORTABLE INSTRUMENTS

**ETSC110**  
Includes: tool, carrying case, batteries, pH electrode, calibration solutions pH 4.00 / 7.00, instruction manual, warranty card.

**ETSC150**  
Includes: tool, carrying case, batteries, pH electrode, temperature probe, oxygen sensor, calibration solutions pH 4.00 / 7.00, electrolyte, membrane cover, instruction manual, warranty.

ETSC110	
pH	CXB 00089 01
CD	CXB 00090 01
Range 0 ÷ 10% Salinità	CXB 00104 01
ETSC150	
150 Set pH / Oxi / Temp	CXB 00087 01



## MULTIPARAMETER CONTROLLER

Portable instrument for the detection of pH, Rx, conductivity, temperature, liquid resistivity, total dissolved solids and salinity. Includes maximum, medium and minimum value storage. RS232C output for real-time data transfer to a PC or printer. REL, HOLD and auto power excludable functions, automatic/manual calibration; IP66 protection; supplied with carrying case, 4 batteries, instruction manual and management software. Electrodes, probes, buffer solutions and connection cables are not included and must be ordered separately.

Multiparameter	
ET-2156.1	CXB 00098 01
ET-2156.2 DATA LOGGER	CXB 00099 01

Accessories	
ET-2156.1/ET-2156.2 Serial connection cable for instruments	ACV 00049 01
Conductivity and temperature combined probe 5 µS ÷ 200 mS 0 ÷ 90 °C -5 bar	ASO 00074 01



## MONOPARAMETER CONTROLLER

Portable single parameter instrument for measuring pH, Rx, conductivity, TDS and salinity; waterproof case, IP67 protection. Backlit display with simultaneous display of the result, date, temperature and other parameters of detection. Storing of 25 records, with date and time. Automatic compensation.

ET-SD50 pH Range 0 ÷ 14 pH	CXB 00088 03
ET-SD60 Redox Range -1800 ÷ +1800 mV	CXB 00100 01
ET-SD70 Conductivity Range ≤ 20,00 mS	CXB 00101 01
ET-SD80 TDS Range ≤ 10,00 ppt ( 10.000 ppm )	CXB 00102 01
ET-SD90 Salinity Range ≤ 20,00 ppt ( 20 ppm NaCl )	CXB 00103 01



# TANKS & MIXERS



Etatron can supply robust tanks and mixers to fit any dosing application with great economy. Etatron chemical holding tanks are designed for chemical dosing applications. We can supply regular tanks of capacities up to 5000 litres and produce bespoke models up to 30,000 litres. The chemical holding tanks come in vertical and open top forms. Open top tanks or bunds can be used to contain smaller vertical tanks for additional leak protection. Mixers are easily mounted on top of the tank and fit a great variation of chemical requirements.

Common features:

- HDPE rota-moulded bodies for chemical compatibility and UV resistance
- Protective brace plates to support heavy pumps and mixers mounted on tank
- Mixers with PP or Stainless steel shafts, three phase and single phase motors
- Slow speed and high speed mixers

DosingPump.ir

# TANK AND ACCESSORIES



## POLYETHYLENE TANKS

The vertical tanks made of MDPE give containment of toxic liquids and are suitable for prolonged exposure to UV, weather resistant and insensitive to aging.

description	ø mm	H mm	
tank 60 l	380	680	1 SRB 045
tank 108 l	470	680	1 SRB 002
tank 230 l	610	870	1 SRB 003
tank 315 l	680	960	1 SRB 004
tank 530 l	840	1065	1 SRB 005
tank 1040 l	1000	1425	1 SRB 006

Higher capacities available upon request.



## PE OPEN SAFETY BUND

Stabilised Polyethylene anti UV stackable bunds.

description	ø mm	H mm	
for tank 60 l	450	600	ASB 00010 02
for tank 108 l	500	680	ASB 00010 01
for tank 230 l	700	750	ASB 00008 01
for tank 315 l	790	950	1 SRB 038
for tank 530 l	880	950	1 SRB 042
for tank 1040 l	1100	1300	1 SRB 027



## TANK SUPPORT

PP tank support for mixer and/or dosing pump.

thickness 10 mm	L mm	H mm	R mm	
support for 60 l	344	124	181	1 ACS 043
support for 100 l	425	205	213	1 ACS 027
support for 200 l	545	235	275	1 ACS 025
support for 300 l	630	290	316	1 ACS 018
support for 500 l	770	335	389	1 ACS 032

thickness 20 mm	L mm	H mm	R mm	
support for 200 l	545	235	275	1 ACS 056
support for 300 l	630	290	316	1 ACS 057
support for 500 l	770	335	389	1 ACS 058
support for 1000 l	940	420	473	1 ACS 019



## OPENING FOR WATER FLOW WITH "O" RING

PP Opening for water flow with FPM OR EPDM O-RING.

O-RING	Fitting - inch.	DN mm	
FPM (Viton®)	1/2"	15	1 TRO 002
EPDM (Dutral®)	1/2"	15	1 TRO 006
FPM (Viton®)	3/4"	20	1 TRO 012
EPDM (Dutral®)	3/4"	20	1 TRO 011
FPM (Viton®)	1"	25	1 TRO 003
EPDM (Dutral®)	1"	25	1 TRO 001
FPM (Viton®)	1 1/4"	32	1 TRO 010
EPDM (Dutral®)	1 1/4"	32	1 TRO 009
FPM (Viton®)	1 1/2"	40	1 TRO 005
EPDM (Dutral®)	1 1/2"	40	1 TRO 008
FPM (Viton®)	2"	50	1 TRO 004
EPDM (Dutral®)	2"	50	1 TRO 007

# MIXERS



## AGV SERIES

Swift mixers with rigid coupling by motors 4–6–8 poles equipped with a support radial bearing and seal ring. These mixers are particularly suitable for mixing or dissolution of products with low viscosity in little – medium tanks. Maximum rating of kW 5 white single or double staffing boxes. 3-ph motors. Materials SS 304L (standard).

motor power	Shaft Length	Rotor diameter
0.18 kW	600 mm	100 mm
0.25 kW	600 mm	110 mm
0.37 kW	800 mm	120 mm
0.55 kW	900 mm	140 mm
0.75 kW	1000 mm	150 mm
1.1 kW	1250 mm	160 mm
1.5 kW	1500 mm	170 mm



## AGR-V SERIES

Slow mixers specific for flocculant/neutralizer or for flocculant solution preparation. The shaft of the mixer is directly key coupled with the hollow of the Worm gear box, supplied with shaft and impeller 4 blades 45°. 3- ph motors, upon request 1-ph motors for power supply lower then 0,37 kW. Materials SS 304L (standard).

motor power	Shaft Length	Rotor diameter	RPM
0.18 kW	700 mm	200 mm	140
0.25 kW	800 mm	300 mm	90
0.37 kW	1000 mm	350 mm	90
0.55 kW	1000 mm	400 mm	90
0.75 kW	1200 mm	500 mm	90
1.1 kW	1500 mm	550 mm	90
1.5 kW	1500 mm	700 mm	70



## AF SERIES

Motor driven high speed mixers for small tanks (200 lt) capacity, with shaft bearings sealed by a “V” ring to protect from external vapours. Motor 4 pole, 1400 rpm. Mixer support flange made of PP mounted directly on the tank. Shaft and impeller in stainless steel 316L or PP covering a steel core. Impeller flow cone type.

type	motor power	Shaft Length	power supply	
PP - AF 1-6-4	0.18 kW	600 mm	230/400 V - 50 Hz 3 Phase	AGT 12410 03
PP - AF 1-6-4	0.18 kW	600 mm	230 V - 50 Hz 1 Phase	AGT 12420 03
PP - AF 1-7-4	0.18 kW	700 mm	230/400 V - 50 Hz 3 Phase	AGT 12413 03
PP - AF 1-7-4	0.18 kW	700 mm	230 V - 50 Hz 1 Phase	AGT 12423 03
PP - AF 1-8-4	0.18 kW	800 mm	230/400 V - 50 Hz 3 Phase	AGT 12411 03
PP - AF 1-8-4	0.18 kW	800 mm	230 V - 50 Hz 1 Phase	AGT 12421 03
PP - AF 1-10-4	0.18 kW	1000 mm	230/400 V - 50 Hz 3 Phase	AGT 12414 03
PP - AF 1-10-4	0.18 kW	1000 mm	230 V - 50 Hz 1 Phase	AGT 12424 03

type	motor power	Shaft Length	power supply	
SS316L - AF 1-6-4	0.18 kW	600 mm	230/400 V - 50 Hz 3 Phase	AGT 12410 01
SS316L - AF 1-6-4	0.18 kW	600 mm	230 V - 50 Hz 1 Phase	AGT 12420 01
SS316L - AF1-8-4	0.18 kW	800 mm	230/400 V - 50 Hz 3 Phase	AGT 12411 01
SS316L - AF 1-8-4	0.18 kW	800 mm	230 V - 50 Hz 1 Phase	AGT 12421 01
SS316L - AF1-10-4	0.18 kW	1000 mm	230/400 V - 50 Hz 3 Phase	AGT 12414 01
SS316L - AF1-10-4	0.18 kW	1000 mm	230 V - 50 Hz 1 Phase	AGT 12424 01



## MANUAL MIXER

type	Shaft Length	
PVC	400 - 600 - 800 - 1000 mm	AGT M0051 01

DosingPump.it

# WATER METERS AND FLOW METERS



## THREADED WATER METER

COLD WATER (max 30° C) - Threaded Water meters, reed impulse transmitters (4 imp/l). ON REQUEST: 2 imp/l, 1 imp/l, 1 imp 2,5l, 1 imp 5l, 1 imp 10l, 1 imp 25l, 1 imp 50l, 1 imp 100l, 1 imp 250l, 1 imp 500l, 1 imp 1.000l.

HOT WATER (max 90° C) - Water meters threaded, reed impulse transmitters (4 imp/l). ON REQUEST: 2 imp/l, 1 imp/l, 1 imp 2,5l, 1 imp 5l, 1 imp 10l, 1 imp 25l, 1 imp 50l, 1 imp 100l, 1 imp 250l, 1 imp 500l, 1 imp 1.000l.

TEFLON - counters lined for aggressive liquids with a pulse emitter (available 1, 2.5, 5 and 10 pulses / litre).

HORIZONTAL installation

Fitting inch.	DN mm	Flow m3/h
1/2"	13	1,5
3/4"	20	2,5
1"	25	3,5
1 1/4"	30	5
1 1/2"	40	10
2"	50	15



## FLANGED WATER METER

COLD WATER (max 40° C) - Flanged water meters, reed impulse transmitters. Available also for hot water (130°C) upon request. ON REQUEST: 1 imp 1.000l available only for selected items (ask for availability); 1 imp 10l, 1 imp 100l, 1 imp 1000l for the other codes.

Fitting inch.	DN mm	Flow m3/h	1 imp 10l	1 imp 1.000l
2"	50	15	Std	-
2 1/2"	65	25	Std	-
3"	80	40	Std	-
4"	100	60	-	Std
6"	150	150	-	Std



## FLOW METER

The electromagnetic induction flow meters consist of a measuring stub for circular section pipes, available in Flanged, Wafer, Threaded or Clamp versions for the food industry.

The measuring tube is made of AISI 316 stainless steel internally coated in plastic material (hard or soft rubber, PTFE, EFTE, Rilsan, PFA, PVDF), with 4 standard measuring electrodes in AISI 316 Ti stainless steel or other materials for specification required (Hastelloy, Titanium, Tantalum).

The meter is protected externally by a cylindrical cover with flanges, standard EN1092-1 PN10 ÷ 100, in carbon steel painted with epoxy treatment. All versions > DN20 are standard equipped with two additional electrodes for grounding the liquid and checking the presence of air or empty pipe. Standard executions DN4 ÷ DN600 with variations according to the internal coatings.

### FLOW CONVERTER

The flow converter in combination with the electromagnetic induction measuring sensors has microprocessor electronics housed in a painted aluminium case, available in compact execution, mounted on the measuring tube, or for independent mounting.

2-line x 16-character alphanumeric backlit LCD display, multilingual for instantaneous and totalized measurement programming and display, rotatable through 350°

Digital outputs: 2 with pulses for totalization (max 400 Hz) and status threshold, configurable, Analog output: 4-20 mA configurable and optional HART

Communication (Option): RS485 Modbus

Power supply: 110-230 VAC (Optional 24 VAC / DC), Protection: IP65 standard optional IP67 or IP68 for the meter in a separate version

Extra price for separate version

Shield cable (min 10 meters)

Pulse Output + 4-20 mA + RS485 Modbus

ATEX Configuration

Electromagnetic Flow Meter			
Coating			
DN15	-	PTFE	PN40
DN20	-	PTFE	PN40
DN25	RUBBER	PTFE	PN40
DN32	RUBBER	PTFE	PN40
DN40	RUBBER	PTFE	PN40
DN50	RUBBER	PTFE	PN40
DN65	RUBBER	PTFE	PN40
DN80	RUBBER	PTFE	PN40

Electromagnetic Flow Meter			
Coating			
DN100	RUBBER	-	PN16
DN125	RUBBER	-	PN16
DN150	RUBBER	-	PN16
DN200	RUBBER	-	PN16

Electromagnetic Flow Meter			
Coating			
DN250	RUBBER	-	PN10

# DOSING SYSTEMS

## *DOSING UNITS AND SKIDS*

Etatron GB manufactures dosing units and skids in order to provide the customer with systems for dosing chemical products/reagents in the various processes in industrial or water treatment plants; the systems are designed directly by our qualified staff or on the indication and/or according to the customer's technical specifications.

Our systems are designed to meet the needs of the various sectors:

*Primary water treatment, Industrial water, and wastewater treatment, Oil and gas, Automatic systems for the preparation and dosage of poly-electrolyte, Coagulant and flocculant preparation, Storage and dosage of reagents, Cooling circuits, Boilers...*

Depending on your needs, the systems can include the following equipment:

*Storage tanks, Level controls, Dosing pumps, Electric stirrers, Multi-parametric controllers (pH, ORP, Conductivity, Chlorine...), Flow-meters.*

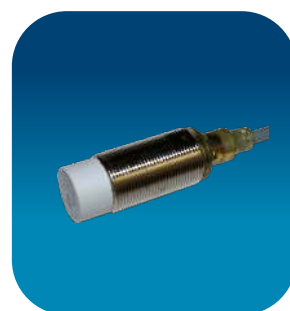
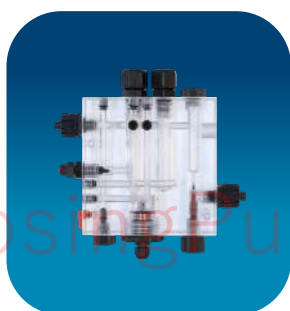
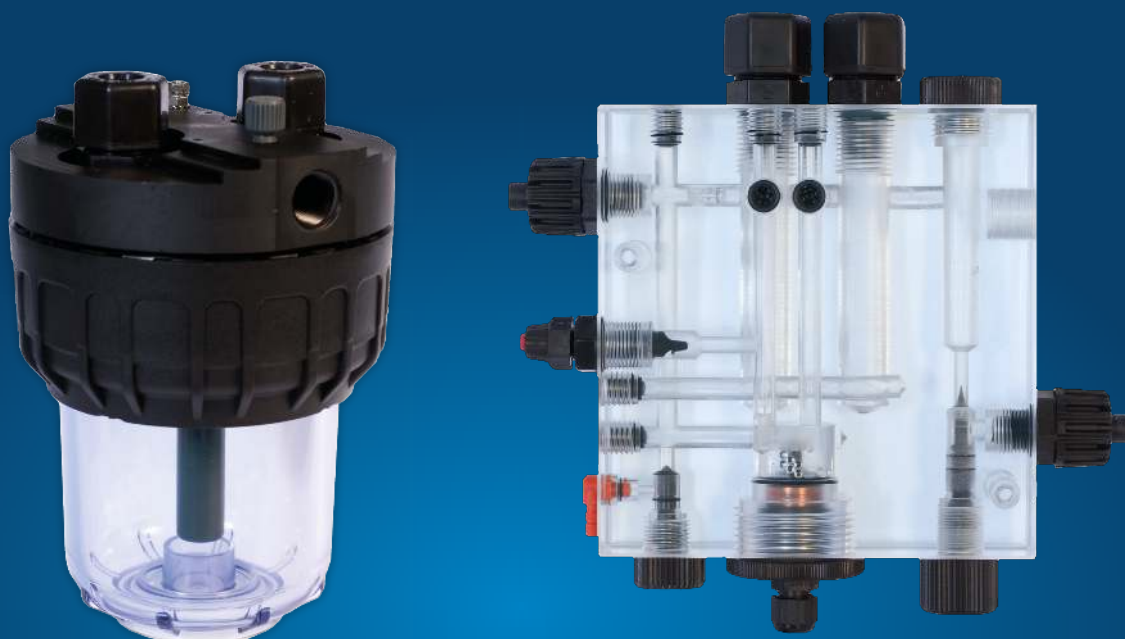
The dosing skids can be made with a variety of materials, chemically compatible with chemical products dosed.

*ON REQUEST*



DosingPump.ir

# ACCESSORIES



DosingPump.ir



# ACCESSORIES



## DOUBLE ELECTRODE HOLDER

Probe holder for pH and Rx electrode (Plexiglass/PP) • Max pressure 5 bar (73 psi), max temperature 45°C (113° F).

double electrode holder	
pH and Rx (Plexiglass/PP)	SPS 00010 01



## DOUBLE ELECTRODE HOLDER WITH FLOW SENSOR

Probes holder for pH, Rx electrodes or temperature probe • Plexiglass/PP • Manual flow rate adjustment • 2 wires proximity switch • Manual sampling • Max pressure 5 bar (73 psi), max temperature 45°C (113° F).

double electrode holder with flow sensor	
For AG-Select – eSelect – eControl - DLX(B) pH-Rx-Cl/M – BT(B) pH-Rx-Cl/M - eOne Plus - eTwin	SPS 00012 01
For DLX(B) pH-Rx/MBB – BT(B) pH-Rx/MBB - ePool	SPS 00012 04
For eSelect M	SPS 00012 05



## DOUBLE PROBE HOLDER

Probes holder for amperometric ion-selective probes and either pH or Rx or temperature probes. • Manual sampling • Max pressure 5 bar (73 psi)

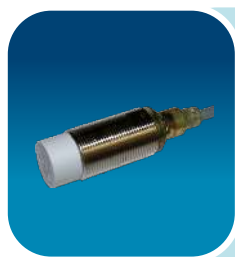
double probe holder	
For AG-Select – eSelect - DLX(B)/BT pH-Rx-Cl/M - eControl - BT pH-Rx-Cl/M - eOne Plus - eTwin. Flow rate adjustment and 2 wires proximity switch - Plexiglass/PP - max temperature 45°C (113° F).	SPS 00020 01
For eSelect M - Proximity switch - Plexiglass/PVDF/PP - max temperature 70°C (158° F).	SPS 00020 05



## TRIPLE PROBE HOLDER

Probes holder for pH, Rx, amperometric ion-selective and temperature probes. Flow rate adjustment and 2 wires proximity switch • Plexiglass/PP • Max pressure 5 bar (73 psi), max temperature 45°C (113° F).

triple probe holder	
For AG-Select – eSelect – eControl - DLX(B) pH-Rx-Cl/M – BT(B) pH-Rx-Cl/M - eOne Plus - eTwin Flow rate adjustment and 2 wires proximity switch - Plexiglass/PP - max temperature 45°C (113° F).	SPS 00018 01
For eSelect M - 3 wires proximity switch - Plexiglass/PP - max temperature 45°C (113° F).	SPS 00018 05



## PROXIMITY SWITCHES

Proximity sensor for probe holders and for Hychlor chlorine amperometric cell.

proximity switches	
2-wire N.O. - AG-Select – eSelect – eControl - DLX(B) pH-Rx-Cl/M – BT(B) pH-Rx-Cl/M - eOne Plus	ASO 00007 12
2-wire N.C. - DLX(B) pH-Rx/MBB – BT(B) pH-Rx/MBB - ePool	ASO 00007 03
3-wire - STRUMENTI SERIE R, B, MULTICONTROL	ASO 00007 01
3-wire - per/for eSelect M	ASO 00007 04



## INLINE PP ELECTRODE HOLDER

Inline electrode holder 1/2" conical fitting in PP, for pH and Rx electrodes. Max pressure 5 bar (73 psi).

inline PP electrode holder	
	DPS 00023 01
with O-ring 3062	KPS 00023 01



### **INLINE PVC ELECTRODE HOLDER**

Inline electrode holder for pressure up to 5 bar (73 psi) and temperature up to 45°C. GM 1/2" fitting in PVC, for pH and Rx electrodes. Other materials upon request.

In line electrode holder	
PVC	2143 001



### **CLAMP SADDLE**

Clamp Saddle for electrode holder. For 3/8" injection valve, use KRA 00058 01 nipple page 21.

clamp saddle	
1/2" GF - DN50	AFA 00006 02
1/2" GF - DN63	AFA 00008 02



### **INLINE SS ELECTRODE HOLDER**

In line SS electrode holder C. GM 1/2", PG13,5 threaded connection.

in line SS electrode holder	
1/2" GM connection	DPS 00016 01



### **SUBMERSIBLE ELECTRODE HOLDER**

PVC submersible tubular electrode holder. Length 50 cm. For pH and Rx (ORP) electrodes.

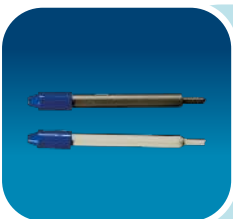
submersible electrode holder	
0,45 m	2143 002
1 m	2143 003
1,5 m	2143 004
2 m	2143 015
upon request	
PP support bracket	SFL 00105 01



### **PT100 TEMPERATURE PROBE**

PT100 Temperature Probe 1/2" connection in PVC, tap type, 5mt cable - 16.4 feet. Tmax 45°C, Pmax 5 bar.

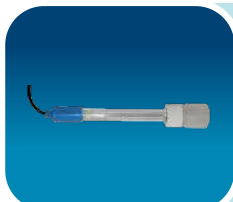
PT100 temperature probe	
PVC 1/2" connection	ASO 00003 02



### **TEMPERATURE PROBE**

PT100 temperature probe, measuring range 0÷100°C, for electrode holder, cable length 5 mt.

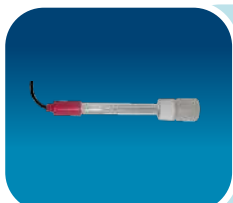
temperature probe	
acciaio - stainless steel	ASO 00026 01
vetro - glass	ASO 00025 01



### **pH PLASTIC BODY ELECTRODE**

pH electrode with polycarbonate body to be used. Measuring range 0-14 pH. Other electrodes types or other cables length upon request.

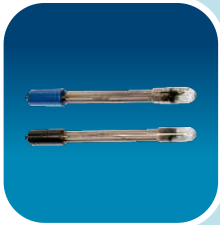
pH plastic body electrode	
6 m - 19,7 ft cable - 4 bar 60° C	AEL 00019 03
1 m - 3,3 ft cable - 4 bar 60° C	AEL 00019 02
with screwable connector - no cable supplied - 5,5 bar 80° C	AEL 00077 01



### **Rx PLASTIC BODY ELECTRODE**

Redox (ORP) electrode with polycarbonate body to be used. Measuring range: ± 1.000 mV. Other electrodes types or other cables length upon request.

Rx plastic body electrode	
6 m - 19,7 ft cable - 4 bar 60° C	AEL 00020 03
1 m - 3,3 ft cable - 4 bar 60° C	AEL 00020 02
with screwable connector - no cable supplied - 5,5 bar 60° C	AEL 00040 01



## GLASS BODY ELECTRODE

Glass body pH or Rx electrodes. Measuring range: pH: 0-14 pH - Rx:  $\pm 1.000$  mV. Other electrodes types upon request.

glass body electrode white cable	
5,5 bar - 80°C - pH - 5 m - 16,4 ft	AEL 00022 03
5,5 bar - 80°C - Rx - 5 m - 16,4 ft	AEL 00023 03
5,5 bar - 80°C - pH - 1 m - 1,6 ft	AEL 00022 02
5,5 bar - 80°C - Rx - 1 m - 1,6 ft	AEL 00023 02

glass body electrode with screw connector PG 13,5	
5,5 bar - 80°C - pH	AEL 00079 01
4 bar - 80°C - Rx	AEL 00080 01
6,8 bar - 100°C - pH	AEL 00036 01
6,8 bar - 100°C - Rx	AEL 00042 01
10 bar - 130°C/16 bar - 25°C) - pH	1 ELT 003
10 bar - 130°C/16 bar - 25°C) - RX	AEL 00046 01



## COAXIAL CABLE FOR ELECTRODE

Coaxial cable for screw connector electrodes. With BNC and connector.

coaxial cable for electrode	
0,50 m - 1,6 ft	2105 044
1 m - 3,2 ft	SCV 00003 02
3 m - 9,8 ft	2105 003
5 m - 16,4 ft	2105 004
9 m - 29,5 ft	2105 005
15 m - 49,2 ft	2105 007

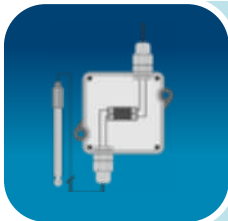


## BUFFER SOLUTIONS

Buffer solution in polythene container (55ml) for calibration and control of pH meter, Rx (ORP) meter and conductometer (500ml). Upon request 250 ml buffer solutions for professional use.

Upon request at indicated value.

buffer solution	
pH 4	ASZ 00 001 01
pH 7	ASZ 00 002 01
pH 9	ASZ 00 003 01
Rx 475 mV	ASZ 00 011 01
Rx 650 mV	ASZ 00 015 01
1413 $\mu$ S/cm	ASZ 00 009 01
12880 $\mu$ S/cm	ASZ 00 010 01



## IMPEDANCE ADAPTOR

Impedance Adaptor for pH-Rx electrodes, allows user to install electrodes at long distance (up to 200mtr) from the controller without problems of interference on the signal transmission, item supplied in watertight connection box (IP65). The adaptor is powered by an internal battery with several years' operating life.

1 ACS 006
-----------



## ELECTRODES HOLDER

Electrodes cell which can be used for a maximum of two probes. Available in PVC and polycarbonate. Supplied with support bracket and brass interconnection valve. Max pressure 5 bar (73 psi), max temperature 45°C (113° F). Available with flow sensor.

PVC electrodes holder	
Electrodes not included	SPS 00015 01
PP electrodes holder	
Electrodes not included	SPS 00015 02
Outflow PVC electrodes holder with flow switch	
Electrodes not included	SPS 00025 01



## FREE INORGANIC AND ORGANIC CHLORINE

Low pH dependence - Compatible with presence of Isocyanuric Acid, Surfactants/Flocculants - Automatic temperature compensation - pH working range: 4-12 - Required constant flow rate: 30-40l/h - Max. working pressure: 1 bar - Max. working temperature: 45°C. Cable not supplied.

sensors	
(0 - 20) ppm	ASO 20001 01
(0 - 2) ppm	ASO 20001 02

cable for amperometric sensor	
0,7 m - DLX/BT/Controllers	SCV 20010 01
0,7 m - For DLXB	SCV 20010 11
0,7 m - eOne/eControl/eTwin/eControl Din-Rack	SCV 20013 01
2 m - eSelect M/eSelect SR	DCV 20013 01



## TOTAL CHLORINE

Low pH dependence - Compatible with presence of Isocyanuric Acid, Surfactants/Flocculants - Automatic temperature compensation - pH working range: 4-12 - Required constant flow rate: 30-40l/h - Max. working pressure: 1 bar - Max. working temperature: 45°C. Cable not supplied.

sensors	
(0 - 20) ppm	ASO 00016 03
(0 - 2) ppm	ASO 00016 04



### **FREE INORGANIC CHLORINE**

Not compatible with presence of isocyanuric Acid, Surfactants/Flocculants - Automatic temperature compensation - pH working range: 4-8. Operative pH-level must remain constant - Required constant flow rate: 30-40l/h Max. working pressure: 1 bar - Max. working temperature: 45°C. Cable not supplied.

sensors	
(0 - 200) ppm	ASO 00016 05
(0 - 20) ppm	ASO 00016 01
(0 - 2) ppm	ASO 00016 02
(0 - 2) ppm - 1 bar - 70° C	ASO 00016 12



### **INORG. FREE CHLORINE FOR POTABLE WATER HIGH PRESSURE. OPEN CELL**

High pH dependence - Not compatible with presence of isocyanuric Acid, surfactants, flocculants, iron and manganese - Automatic temperature compensation - Required constant flow rate: 30-40l/h - Max. working pressure: 5 bar - Max. working temperature: 50°C - Requires dedicated probe holder on request. Cable not supplied.

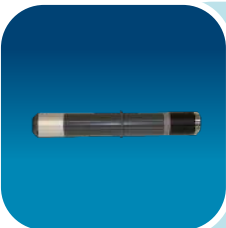
sensors	
(0 - 10) ppm	ASO 00020 01



### **HYDROGEN PEROXIDE**

Compatible with presence of surfactants Automatic temperature compensation pH working range: 2-11 - Required constant flow rate: 30-40l/h - Max. working pressure: 5 bar (with snap-ring) - Max. working temperature: 45°C. Cable not supplied.

sensors	
(0 - 200) ppm	ASO 00033 01



### **PERACETIC ACID**

Surfactants and conductivity acids are tolerated - Compatible with presence of Surfactants - Automatic temperature compensation - pH working range: 2÷6 Required constant flow rate: 30-40l/h Max. working pressure: 1 bar - Max. working temperature: 45°C. Cable not supplied.

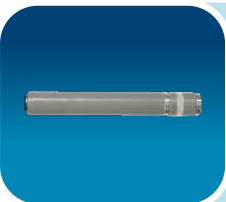
sensors	
(0 - 200) ppm	ASO 00032 01



### **CHLORINE DIOXIDE**

Not compatible with presence of surfactants Automatic temperature compensation pH working range: 1÷14 Required constant flow rate: 30-40l/h - Max. working pressure: 1 bar - Max. working temperature: 45°C. Cable not supplied.

sensors	
(0 - 20) ppm	ASO 00031 01
(0 - 2) ppm	ASO 00031 02
(0 - 2) ppm - 8 bar - 70°C	ASO 00031 03



### **CHLORINE DIOXIDE WITH SURFACTANTS**

Compatible with presence of surfactants Automatic temperature compensation pH working range: 2-12 - Required constant flow rate: 30-40l/h - Max. working pressure: 1 bar - Max. working temperature: 45°C. Cable not supplied.

sensors	
(0 - 20) ppm	ASO 00043 01
(0 - 2) ppm	ASO 00043 02



### **OZONE**

Low pH dependence - Automatic temperature compensation - pH working range: 2-11 - required constant flow rate: 30-40l/h - Max. working pressure: 1 bar - Max. working temperature: 50°C. Analogic output signal 0-2.000mV. Cable not supplied.

sensors	
0,05 - 20,00 ppm	ASO 00055 01
0,05 - 2,00 ppm	ASO 00055 02

## MEMBRANES



The membrane cap filled with electrolyte forms the measurement chamber in which the measuring part is dipped. A micro-porous membrane separates the measuring compartment from the sample to measure. The membranes are supplied with emery cloth.

membranes	
organic-inorganic free chlorine probe	AME 00003 01
inorganic chlorine	AME 00004 01
hydrogen peroxide/ Peracetic acid	AME 00009 01
chlorine dioxide	AME 00011 01
ozone	AME 00012 01

## ELECTROLYTE GELS



Bottle of electrolyte gel filling membrane cap replacement (100 ml).

gel	
free organic chlorine probe, 100ml	ASZ 00022 01
free inorganic chlorine probe, 100ml	ASZ000 23 01
free inorganic chlorine probe, 70°	ASZ000 25 01
total chlorine probe, 100ml	ASZ 00026 01
chlorine dioxide	ASZ000 33 01
hydrogen peroxide	ASZ 00034 01
peracetic acid	ASZ000 43 01

## CABLE FOR AMPEROMETRIC SENSORS



Cable for membrane covered amperometric sensor with BNC connector for signal and Hirschmann connector for power supply.

cable for amperometric sensor	
0,7 m - For DLX/Controllers	SCV 00010 03
0,7 m - For eOne/eControl	SCV 00013 01
0,7 m - For DLXB	SCV 00010 04
0,7 m - For eSelect M	ACV 00004 04
2 m - For DLX/Controllers	SCV 00010 05
2 m - For eOne/eControl	SCV 00013 02
2 m - For eSelect M	ACV 00004 01
5 m - For DLX/Controllers	SCV 00010 06
5 m - For eOne/eControl	SCV 00013 03
5 m - For eSelect M	ACV 00004 05
15 m - For DLX/Controllers	SCV 00010 02
15 m - For eOne/eControl	SCV 00013 04
15 m - For eSelect M	ACV 00004 03

## HYCHLOR



Sodium Hypochlorite probe able to work as electrode holder for pH, Rx, and Temperature with 2 wires flow sensor inclusive. It can be connected to any AG SELECT controller series with adaptor SCA0001101; 3 wires flow sensor suitable for R, B and Multicontroller instruments. It needs constant water flow rate between 40-60 l/h. Measuring range 0±2 mg/l Cl<sub>2</sub>. Constant pH value comprised between 6-8 pH. Valve for cleaning chemicals injection, easy cleaning balls access from top of the holder. Maximum working pressure 5 bar. Chlorine probe cable length: 2 mt – 6.5 feet.

hychlor	
For AG-Select 2 fili/wires - eSelect - eControl - DLX(B) pH-Rx-Cl/M - BT(B) pH-Rx-Cl/M - EONE PLUS	SPS 00 022 01
3 wires serie R, B e MULTICONTROL	SPS 00 022 03

## SIGNAL ADAPTER



Signal adapter to connect controller's series AG-SELECT or metering pumps series DLX(B) - pH-Rx-Cl / F (MB) with copper / platinum amperometric probe (HYCHLOR).

signal adapter	
	SCA 00011 01

## COPPER-PLATINUM ELECTRODES



Spare part for probe self-cleaning HYCHLOR, measuring part composed by copper-platinum electrodes, FPM OR. 3 mt - 9,8 feet cable.

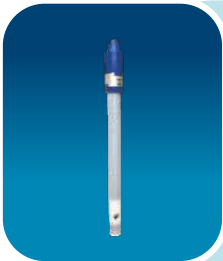
copper-platinum electrodes	
	SEL 00050 01

## GLASS SPHERES



Kit of 30 Pyrex glass spheres for self-cleaning HYCHLOR probe.

glass spheres	
Pyrex	KSF 00001 01



### GRAPHITE CONDUCTIVITY PROBES

PTFE body, conductivity probes with graphite electrodes. The probe constant is  $K = 0,6$  cm, corresponds to 0-100 mS measure range. All probes can be supplied completed with Pt100 temperature integrated sensor (other upon request) for the measure compensation. These probes are suitable for all normal industrial and laboratory applications. They can be installed on submersible probe holder, electrode holder and on some inline probe holders. PTFE body, 12 mm diameter, 120 mm length, graphite measure electrodes, working temperature range  $-5^{\circ}\text{C}$  to  $100^{\circ}\text{C}$ , with 5m cable.

with temperature sensor
ASO C4111 00

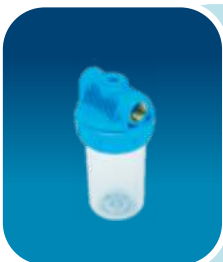


### CONDUCTIVITY PROBE

Conductivity cell 1/2 " with graphite electrodes, protection cap, max pressure 5 bar, integrated temperature probe PT100, cable length 5m - 16.4 feet, cell constant  $K=1$  cm, measuring range 0÷40000  $\mu\text{S}$ .

cd integrated temperature probe
ASO 00041 01
conductivity probe
ASO 00041 02

Other conductivity sensors upon request



### MIDI 3

Specific container for industrial use. Performing three-piece headboard with brass inserts and nut made of polypropylene. SUN transparent vase. Version three-way horizontal / vertical with cap. Maximum temperature  $30^{\circ}\text{C}$  - Maximum pressure 8 bar.

MIDI 3
TM3 00012 M5



### 3PAT-1

Specific container for industrial use. Performing three-piece headboard with brass inserts and nut made of polypropylene. SUN transparent vase. Version three-way horizontal / vertical with cap. Maximum temperature  $30^{\circ}\text{C}$  - Maximum pressure 8 bar. On demand, specific versions with different materials, such as polyamide, brass and stainless steel.

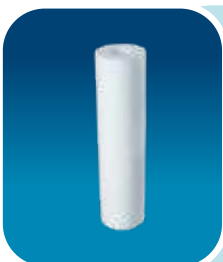
3PAT-1	
5" (3/4")	TIT 00034 05
5" (1")	TIT 00100 05
9" 3/4 (3/4")	TIT 00034 09
9" 3/4 (1")	TIT 00100 09



### RL

Washable polyester net filter cartridge. Internal diameter 27.5 mm - external diameter 60mm. Maximum operating temperature  $60^{\circ}\text{C}$ . On request other types of washable cartridges in different materials.

RL	
5" (60 $\mu\text{m}$ )	LRL 06000 05
5" (150 $\mu\text{m}$ )	LRL 15000 05
7" (60 $\mu\text{m}$ )	LRL 06000 07
7" (150 $\mu\text{m}$ )	LRL 15000 07
9" 3/4 (60 $\mu\text{m}$ )	LRL 06000 09
9" 3/4 (150 $\mu\text{m}$ )	LRL 15000 09
20" (60 $\mu\text{m}$ )	LRL 06000 20
20" (150 $\mu\text{m}$ )	LRL 15000 20



### MB

Wrapped polypropylene cartridge in one single piece without supporting core. External diameter 65 mm. Progressive fibre density with controlled porosity, nominal filtration degrees.

5" (1 $\mu\text{m}$ )	LMB 00100 05	9" 3/4 (1 $\mu\text{m}$ )	LMB 00100 09
5" (10 $\mu\text{m}$ )	LMB 01000 05	9" 3/4 (10 $\mu\text{m}$ )	LMB 01000 09
5" (25 $\mu\text{m}$ )	LMB 02500 05	9" 3/4 (25 $\mu\text{m}$ )	LMB 02500 09
5" (50 $\mu\text{m}$ )	LMB 05000 05	9" 3/4 (50 $\mu\text{m}$ )	LMB 05000 09
7" (1 $\mu\text{m}$ )	LMB 00100 07	20" (1 $\mu\text{m}$ )	LMB 00100 20
7" (10 $\mu\text{m}$ )	LMB 01000 07	20" (10 $\mu\text{m}$ )	LMB 01000 20
7" (25 $\mu\text{m}$ )	LMB 02500 07	20" (25 $\mu\text{m}$ )	LMB 02500 20
7" (50 $\mu\text{m}$ )	LMB 05000 07	20" (50 $\mu\text{m}$ )	LMB 05000 20

DosingPump



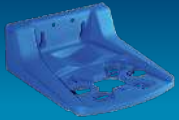


## FA

String wound polypropylene cartridge (FDA and CEE approved), internal diameter 28 mm - external diameter 61 mm, maximum working temperature 60°C.

LFA	
5" (1µm)	LFA 00100 05
5" (5µm)	LFA 00500 05
5" (10µm)	LFA 01000 05
5" (25µm)	LFA 02500 05
5" (50µm)	LFA 05000 05
7" (1µm)	LFA 00100 07
7" (5µm)	LFA 00500 07
7" (10µm)	LFA 01000 07
7" (25µm)	LFA 02500 07
7" (50µm)	LFA 05000 07
9" 3/4 (1µm)	LFA 00100 09
9" 3/4 (5µm)	LFA 00500 09
9" 3/4 (10µm)	LFA 01000 09

LFA	
9" 3/4 (25µm)	LFA 02500 09
9" 3/4 (50µm)	LFA 05000 09
20" (1µm)	LFA 00100 20
20" (5µm)	LFA 00500 20
20" (10µm)	LFA 01000 20
20" (25µm)	LFA 02500 20
20" (50µm)	LFA 05000 20
5" Mini (1µm)	LFA 00100 M5
5" Mini (5µm)	LFA 00500 M5
5" Mini (10µm)	LFA 01000 M5
5" Mini (25µm)	LFA 02500 M5
5" Mini (50µm)	LFA 05000 M5



## FILTERS ACCESSORIES

Polypropylene wrenches and support brackets.

3PAT / 2PAT	
Wrench	ATA 00002 01
Support bracket	ATA 00005 01

MIDI	
Wrench	ATA 00001 01
Support bracket	ATA 00004 04



## COMPLETE FILTERS

3PAT-I complete filter with brass inserts, washable polyester net cartridge, PP mounting bracket, stainless steel screws (16 mm) and washers.

5"		
RL 60 µm 1/2"	KFT 00004 01	
RL 150 µm 1/2"	KFT 00004 02	
RL 60 µm 3/4"	KFT 00004 11	
RL 150 µm 3/4"	KFT 00004 12	
RL 60 µm 1"	KFT 00004 21	
RL 150 µm 1"	KFT 00004 22	

9" 3/4		
RL 60 µm 1/2"	KFT 00005 01	
RL 150 µm 1/2"	KFT 00005 02	
RL 60 µm 3/4"	KFT 00005 11	
RL 150 µm 3/4"	KFT 00005 12	
RL 60 µm 1"	KFT 00005 21	
RL 150 µm 1"	KFT 00005 22	



## TUBE

Delivery and suction tubes 4x6 - 6x8 - 10x14.

### PE delivery tube

4x6 - PE delivery tube	
25 mt	2003 021
100 mt	ATU 00083 01
6x8 - PE delivery tube	
25 mt	ATU 00006 03
100 mt	ATU 00006 04
10x14 - PE delivery tube	
10 mt	DTU 00001 02
50 mt	DTU 00001 03

### PVC suction tube

4x6 - PVC suction tube	
25 mt	DUT 00000 06
100 mt	ATU 00082 01
6x8 - PVC suction tube	
25 mt	ATU 00042 02
100 mt	ATU 00042 01
10x14 - PVC suction tube	
10 mt	DTU 00022 02
50 mt	DTU 00022 03

### PVDF - KYNAR FLEX 2800

4x6 KYNAR FLEX 2800	
10 mt	DTU 00103 01
25 mt	DTU 00103 02
100 mt	DTU 00003 02
6x8 KYNAR FLEX 2800	
10 mt	DTU 00109 01
25 mt	DTU 00109 02
100 mt	DTU 00009 01

# SPARES



Dosin Pump.ir

# PUMP HEADS KIT

## VALVE AND VALVE SEAT KIT

(A) PP 1-20 l/h ⑤ ⑥		
FPM (Viton*)	20 pieces	KVA 00027 01
FPM (Viton*)	100 pieces	KVA 00027 11
EPDM (Dutral*)	20 pieces	KVA 00027 02
EPDM (Dutral*)	100 pieces	KVA 00027 12
(C) PP 2-4 l/h 20 bar ⑤ ⑥		
FPM (Viton*)	10 pieces	KVA 00031 01
EPDM (Dutral*)	10 pieces	KVA 00031 02
(D) PVC 30÷80 l/h ③ ② only valve kit		
FPM (Viton*)	10 pieces	2 020 046
EPDM (Dutral*)	10 pieces	2 020 047
Silicone	10 pieces	2 020 088
NBR	10 pieces	2 020 121

## CERAMIC BALL VALVE KIT

(E - F) PP 1-20 l/h ⑩ ⑪ ⑫ ⑬ ⑭ ⑮ ⑯		
FPM (Viton*)	20 pieces	KVA 00028 01
FPM (Viton*)	100 pieces	KVA 00028 11
EPDM (Dutral*)	20 pieces	KVA 00028 02
EPDM (Dutral*)	100 pieces	KVA 00028 12
(C) PP 2-4 l/h 20 bar ⑩ ⑪ ⑫ ⑬ ⑭ ⑮ ⑯		
FPM (Viton*)	10 pieces	KVA 00032 01
EPDM (Dutral*)	10 pieces	KVA 00032 02
(D) PVC 30÷80 l/h ③ ④ ⑤ only valve kit		
FPM (Viton*)	10 pieces	KVA 00029 01
EPDM (Dutral*)	10 pieces	KVA 00029 01

## HIT RACCORDO. GHIERA E O-RING - NIPPLE, TUBE NUT AND O-RING KIT

(A,B,D) PP ① ③ ④		
FPM (Viton*)	20 pieces	KRA 00057 01
FPM (Viton*)	100 pieces	KRA 00057 21
EPDM (Dutral*)	20 pieces	KRA 00057 02
EPDM (Dutral*)	100 pieces	KRA 00057 22
FPM (Viton*) 30÷80 l/h (10x14)	10 pieces	KRA 00059 01
EPDM (Dutral*) 30÷80 l/h (10x14)	10 pieces	KRA 00059 02

Hoses fastening kit	
6x8 PP - TFE/P	KRA 08320 22
6x8 PVDF - TFE/P	KRA 08320 21
10x14 PP - TFE/P	KRA 10320 22
10x14 PVDF - TFE/P	KRA 10320 21

## MANUAL AIR BLEED PUMP HEAD KIT

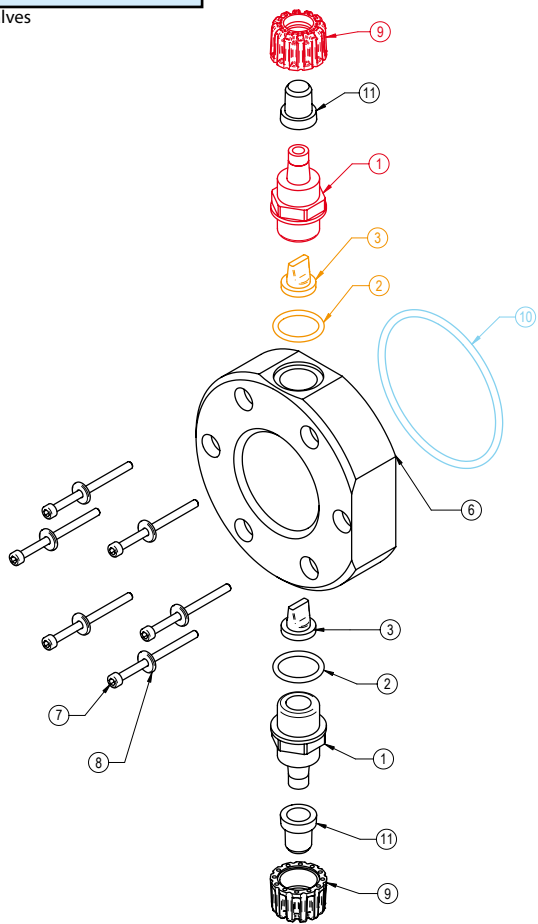
(A) PP ⑤ ⑥ ⑫ ⑬ ⑭ ⑮ ⑯ ⑰		
FPM (Viton*)	10 pieces	KSM 00001 01
EPDM (Dutral*)	10 pieces	KSM 00001 11

## HIT O-RING CP

O-RING ⑨		
"A" CP type - FPM (Viton*)	10 pieces	2 020 018
"A" CP type - FPM (Viton*)	100 pieces	2 020 129
"A" CP type - EPDM (Dutral*)	10 pieces	2 020 019
"A" CP type - EPDM (Dutral*)	100 pieces	2 020 130
"B" (20l) CP type - FPM (Viton*)	10 pieces	KOR 01012 01
"B" (20l) CP type - EPDM (Dutral*)	10 pieces	KOR 01012 02
"D" (A/P) CP type - FPM (Viton*)	10 pieces	KOR 01014 01
"D" (A/P) CP type - EPDM (Dutral*)	10 pieces	KOR 01014 02
"E/F" (PVDF 1-15 l/h) CP type - FPM (Viton*)	10 pieces	KOR 01013 01
"E/F" (PVDF 1-15 l/h) CP type - EPDM (Dutral*)	10 pieces	KOR 01013 02

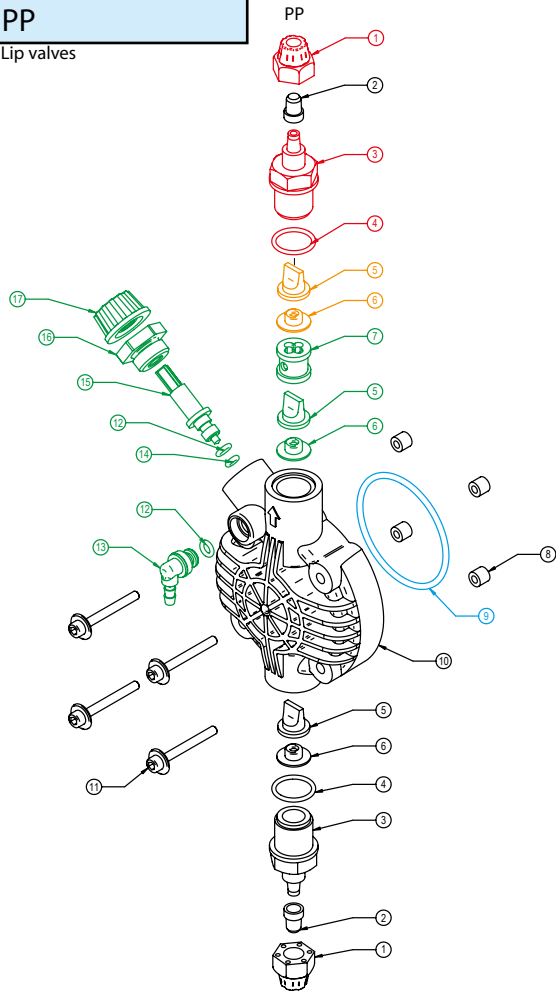
PVC

Lip valves



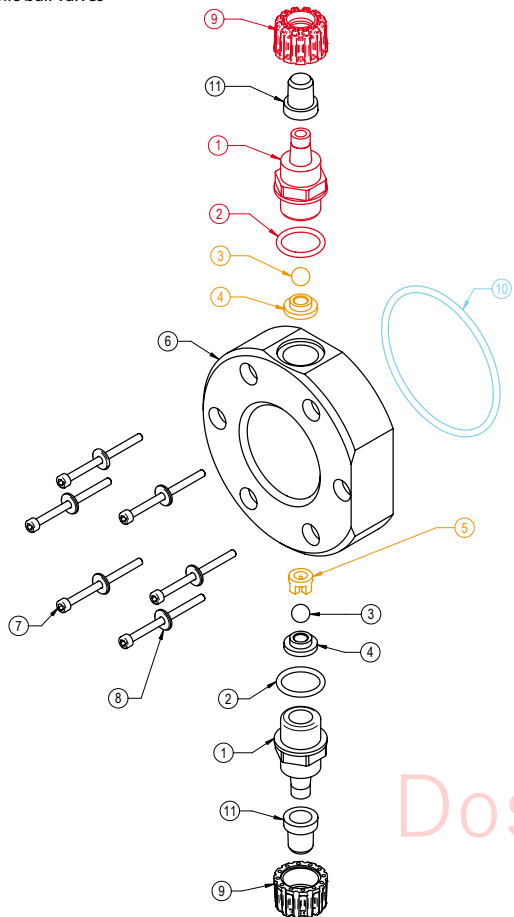
PP

Lip valves



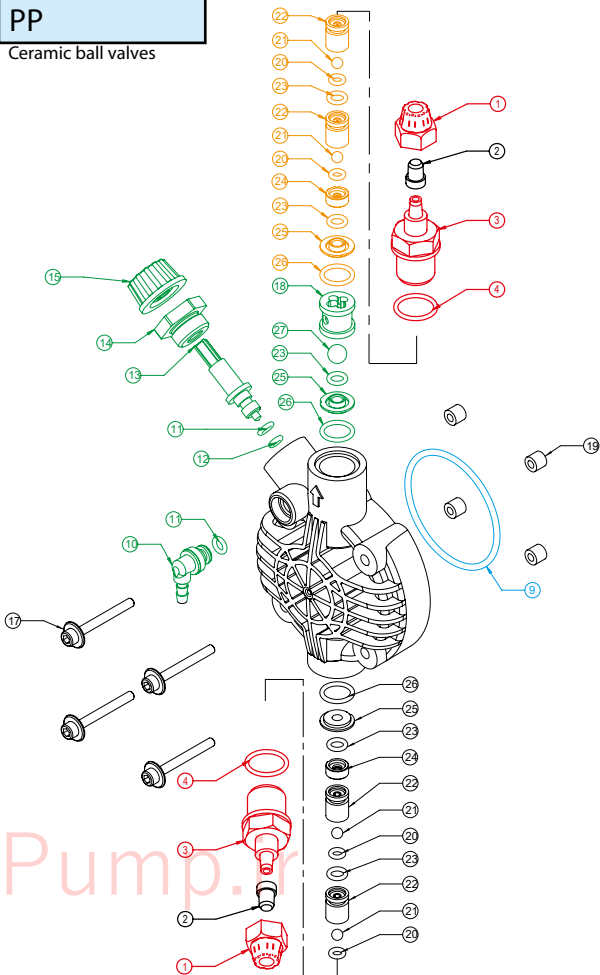
PVC

Ceramic ball valves

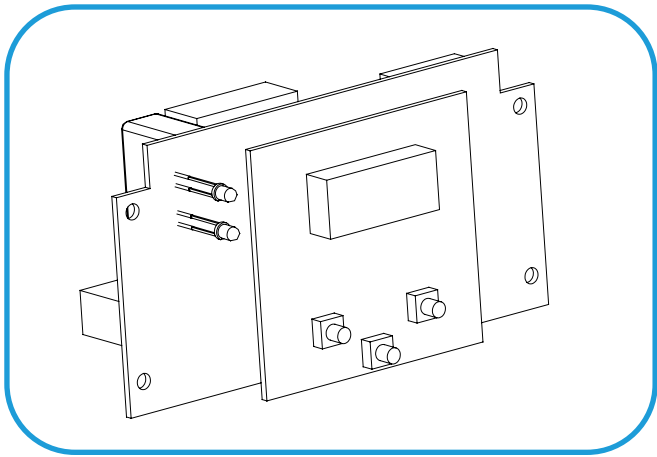


PP

Ceramic ball valves



DosingPump.com



## CONTROL CIRCUIT BOARDS

PDE spare parts

### PHX

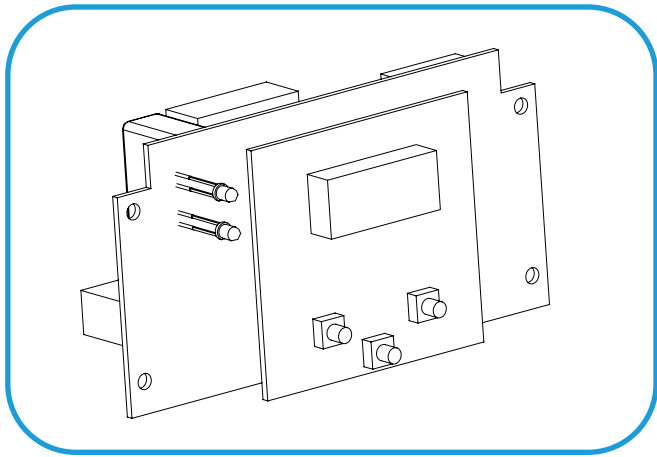
MA/A 230/240V (80MS/120L.)	RPB 00092 01
MA/A 110V (80MS/120L.)	RPB 00092 02
MA/AL 230V (80MS/120L.)	RPB 00093 01
MA/AL 110V (80MS/120L.) CSA	RPB 00093 02
MA/A - MA/AL 12VDC	RPB 00098 01
FT/A 230V (80MS/120L.)	RPB 00094 01
FT/A 110V (80MS/120L.)	RPB 00094 02

### DLX - DLXB

MA/AD 230/240V (80MS/120L.)	RPB 00079 01
MA/AD 230/240V (70MS/150L.) for 20L	RPB 00079 06
MA/AD 110V (80MS/120L.)	RPB 00079 02
MA/AD 110V (70MS/150L.) for 20L	RPB 00079 07
MA/AD+LIV.230V (80MS/120L.)	RPB 00086 01
MA/AD+LIV.230V (70MS/150L.) for 20L	RPB 00086 06
MA/AD+LIV.110V CSA (80MS/120L.)	RPB 00086 02
MA/AD+LIV. 110V (70MS/150L.) for 20L	RPB 00086 07
MA/AD - MA/AD+LIV. 12VDC	RPB 00089 01
MA/MB 230/240V (80MS/120L.)	RPB 00028 08
MA/MB 230/240V (70MS/150L.) for 20L	RPB 01060 01
MA/MB 110V CSA (80MS/120L.)	RPB 00028 18
CC/M 230V (80MS/120L.)	RPB 00072 01
CC/M 230V (80MS/150L.) per/for 20L	RPB 00072 06
CC/M 110V CSA (80MS/120L.)	RPB 00072 02
CC/M 110V (80MS/150L.) per/for 20L	RPB 00072 07
VFT/MBB 230/240V (80MS/120L.)	RPB 00038 11
VFT/MBB 230/240V (70MS/150L.) for 20L	RPB 00038 28
VFT/MBB 110V (80MS/120L.)	RPB 00038 12
VFT/MBB 110V (70MS/150L.) for 20L	RPB 00038 29
MF/M LOGIC (80MS/120L.)	RPB 00031 01
MF/M LOGIC (80MS/150L.) for 20L	RPB 00031 03
MF/M POWER 230V	RPB 00032 01
MF/M POWER 110V CSA	RPB 00032 02
PH-RX-CL/M 230V (80MS/120L.)	RPB 00138 01
PH-RX-CL/M 110V (80MS/120L.)	RPB 00138 02
PH-RX/MBB 230V (80MS/120L.)	RPB 00138 11
PH-RX/MBB 230V (80MS/150L.) for 20L	RPB 00138 21
PH-RX/MBB 110V (80MS/120L.)	RPB 00138 12
PH-RX/MBB 110V (80MS/150L.) for 20L	RPB 00138 22
CD/M 230/240V (80MS/120L.)	RPB 00037 01
CD/M 110V (80MS/120L.)	RPB 00037 02

### BT

MA/AD 230V (90MS/160L.) 1L-20L	RPB 00011 01
MA/AD 230V (90MS/160L.) 30L - 80L	RPB 00011 11
MA/AD 110V (90MS/160L.) 1L-20L	RPB 00011 03
MA/AD 110V (90MS/160L.) 30L - 80L	RPB 00011 13
MA 230V (90MS/160L.) 1L - 20L	RPB 00015 01
MA 230V (90MS/180L.) 30L - 80L	RPB 00015 11
MA 110V CSA (90MS/160L.) 1L - 20L	RPB 00015 02
MA 110V CSA (90MS/180L.)30L - 80L	RPB 00015 12
VFT 230V (90MS/160L.) 1L-20L	RPB 80231 01
VFT 230V (90MS/180L.)30L-80L	RPB 80231 11
VFT 110V CSA (90MS/160L.) 1L-20L	RPB 80267 01
VFT 110V CSA (90MS/180L.) 30L-80L	RPB 80267 11
PH-RX-CL/M 230V (90MS/160L.) 1L-20L	RPB 00160 01
PH-RX-CL/M 230V(90MS/180L.) 30L-80L	RPB 00160 11
PH-RX-CL/M 110V (90MS/160L.) 1L-20L	RPB 00160 02
PH-RX-CL/M 110V(90MS/180L.) 30L-80L	RPB 00160 12
PH-RX/MBB 230V (90MS/160L.) 1L-20L	RPB 00160 07
PH-RX/MBB 230V(90MS/180L.) 30L-80L	RPB 00160 17
PH-RX/MBB 110V (90MS/160L.)1L-20L	RPB 00160 08
PH-RX/MBB 110V(90MS/180L.) 30L-80L	RPB 00160 18
MF 230/240V (90MS/160L.) 1L- 20L	RPB 00014 03
MF 230/240V (90MS/180L.) 30L- 80L	RPB 00014 13
MF 110V CSA(90MS/160L.) 1L-20L	RPB 00014 02
MF 110V CSA(90MS/180L.) 30L-80L	RPB 00014 12



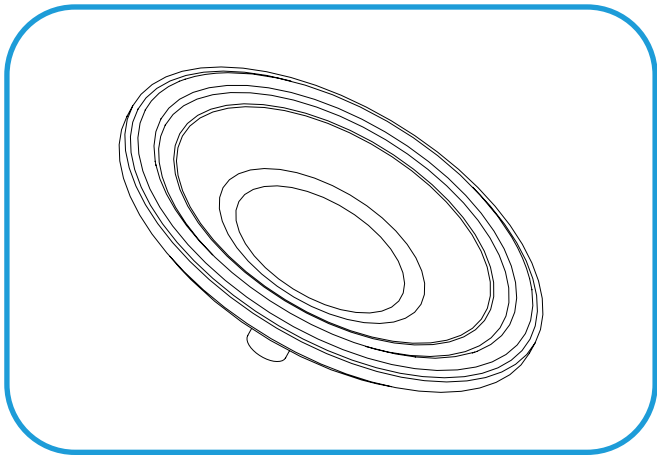
**CONTROL CIRCUIT BOARDS**  
PDE spare parts

**eOne**

Basic	power supply/logic	RPB 00228 01
Basic	terminal board	RPB 00224 01
MA	power/logic 0110	RPB 00222 01
MA	power/logic 0216	RPB 00222 02
MA	power/logic 0420	RPB 00222 03
MA	power/logic 0607	RPB 00222 04
MA	power/logic 0710	RPB 00222 05
MA	power/logic 1012	RPB 00222 06
MA	power/logic 1505	RPB 00222 07
MA	power/logic 2007	RPB 00222 08
MA	power/logic 3005	RPB 00222 09
MF	logic R4.6 - 0110	RPB 00220 11
MF	logic R4.6 - 0216	RPB 00220 12
MF	logic R4.6 - 0420	RPB 00220 13
MF	logic R4.6 - 0607	RPB 00220 14
MF	logic R4.6 - 0710	RPB 00220 15
MF	logic R4.6 - 1012	RPB 00220 16
MF	logic R4.6 - 1505	RPB 00220 17
MF	logic R4.6 - 2007	RPB 00220 18
MF	logic R4.6 - 3005	RPB 00220 19
MF	power/terminal 0110	RPB 00219 11
MF	power/terminal 0216	RPB 00219 12
MF	power/terminal 0420	RPB 00219 13
MF	power/terminal 0607	RPB 00219 14
MF	power/terminal 0710	RPB 00219 15
MF	power/terminal 1012	RPB 00219 16
MF	power/terminal 1505	RPB 00219 17
MF	power/terminal 2007	RPB 00219 18
MF	power/terminal 3005	RPB 00219 19
PLUS	logic R4.6 - 0110	RPB 00220 01
PLUS	logic R4.6 - 0216	RPB 00220 02
PLUS	logic R4.6 - 0420	RPB 00220 03
PLUS	logic R4.6 - 0607	RPB 00220 04
PLUS	logic R4.6 - 0710	RPB 00220 05
PLUS	logic R4.6 - 1012	RPB 00220 06
PLUS	logic R4.6 - 1505	RPB 00220 07
PLUS	logic R4.6 - 2007	RPB 00220 08
PLUS	logic R4.6 - 3005	RPB 00220 09
PLUS	power/terminal 0110	RPB 00219 01
PLUS	power/terminal 0216	RPB 00219 02
PLUS	power/terminal 0420	RPB 00219 03
PLUS	power/terminal 0607	RPB 00219 04
PLUS	power/terminal 0710	RPB 00219 05
PLUS	power/terminal 1012	RPB 00219 06
PLUS	power/terminal 1505	RPB 00219 07
PLUS	power/terminal 2007	RPB 00219 08
PLUS	power/terminal 3005	RPB 00219 09

DosingPump.ir





**DIAPHRAGMS**  
PDE spare parts

**PKX**

1l/h 5bar	DDF 00002 01
2l/h 6bar	DDF 00004 01
5l/h 5bar	DDF 00004 01
5l/h 7bar	DDF 00004 01
7l/h 2bar - 10l/h 1bar	DDF 00004 01

**DLX - DLXB**

1l/h 15bar	4084 011
2l/h 20bar	4084 011
5l/h 7bar	DDF 00004 01
8l/h 10bar	DDF 00004 01
15l/h 4bar	4084 011
20l/h 3bar	4084 003

**BT**

2l/h 10bar	DDF 00004 01
2l/h 20bar	4084 011
5l/h 10bar	DDF 00004 01
5l/h 15bar	4084 011
5l/h 20bar	4084 011
10l/h 10bar	DDF 00004 01
15l/h 5bar	DDF 00004 01
20l/h 5bar	4084 003
30l/h 4bar	SDF 00001 01
50l/h 3bar	SDF 00001 01
80l/h 1bar	SDF 00001 01

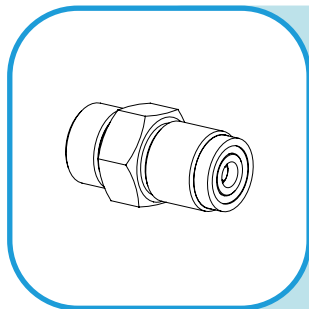
**eOne**

<b>MA - MF - PLUS</b>	
1l/h 10bar	DDF 84654 03
2l/h 16bar	DDF 84654 03
4l/h 20bar	DDF 84654 03
6l/h 7bar	DDF 84654 01
7l/h 10bar	DDF 84654 01
10l/h 12bar	DDF 84654 01
15l/h 5bar	DDF 84654 01
20l/h 7bar	DDF 86268 01
30l/h 5bar	DDF 86268 01
<b>BASIC</b>	
2l/h 10bar	DDF 84654 02
5l/h 7bar	DDF 84654 02

DosingPump.ir

# PDM SPARE PARTS

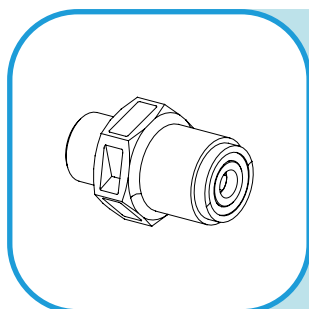
PDM spare parts



## AISI-NBR VALVES

suction 1/2"	ST-P/ P	SVA 01001 03
discharge 1/2"	ST-P/ P	SVA 01002 03
suction 1/2" (25 bar)	P	SVA 01001 13
discharge 1/2" (25 bar)	P	SVA 01002 13
suction 3/4"	ST-P/ P	SVA 01005 03
discharge 3/4"	ST-P/ P	SVA 01006 03
suction 1"	P	SVA 01009 03
discharge 1"	P	SVA 01010 03
suction 1 1/2"	P	SVA 01011 03
discharge 1 1/2"	P	SVA 01012 03

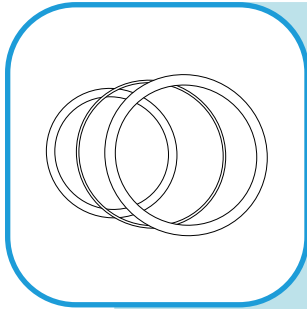
suction 1/2"	ST-D	SVA 00190 03
discharge 1/2"	ST-D	SVA 00191 03
suction 3/4"	D	SVA 01030 03
discharge 3/4"	D	SVA 01031 03
suction 1"	D	SVA 01013 03
discharge 1"	D	SVA 01014 03



## PVC-FPM AND PP-FPM VALVES

PVC-FPM Valves		
suction 1/2"	ST-P/ P	SVA 01021 01
discharge 1/2"	ST-P/ P	SVA 01022 01
suction 3/4"	ST-P/ P	SVA 01023 01
discharge 3/4"	ST-P/ P	SVA 01024 01
suction 1"	P	SVA 01025 01
discharge 1"	P	SVA 01026 01
suction 1 1/2"	P	SVA 01027 01
discharge 1 1/2"	P	SVA 01028 01
suction 1/2"	ST-D	SVA 00090 01
discharge 1/2"	ST-D	SVA 00091 01
suction 3/4"	D	SVA 03023 01
discharge 3/4"	D	SVA 03024 01
suction 1"	D	SVA 03025 01
discharge 1"	D	SVA 03026 01

PP-FPM Valves		
suction 1/2"	ST-D	SVA 01050 01
discharge 1/2"	ST-D	SVA 01051 01



## PISTON SEALING HIT

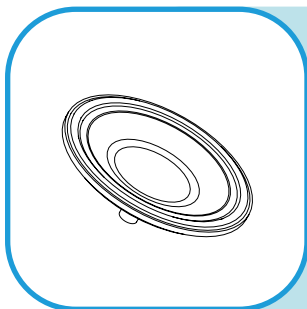
Ø 16 mm		
AISI-FPM (AP)		
PVC-FPM (BA)	ST-P	KAN 01002 01
AISI-EPDM (AI)		
PVC-EPDM (BI)	ST-P	KAN 01002 02
AISI-NBR (AA)	ST-P	KAN 01002 03
AISI-NBR (AA) 25 Bar	ST-P	KAN 02002 23

Ø 30 mm		
AISI-FPM (AP)		
PVC-FPM (BA)	ST-P	KAN 01004 01
AISI-EPDM (AI)		
PVC-EPDM (BI)	ST-P	KAN 01004 02
AISI-NBR (AA)	ST-P	KAN 01004 03
AISI-FPM (AP)	P	KAN 02004 11
AISI-EPDM (AI)	P	KAN 02004 12
AISI-NBR (AA)	P	KAN 02004 13
PVC-FPM (BA)	P	KAN 02004 01
PVC-EPDM (BI)	P	KAN 02004 02

Ø 48 mm		
AISI-FPM (AP)	ST-P	KAN 01006 11
AISI-EPDM (AI)	ST-P	KAN01006 12
AISI-NBR (AA)	ST-P	KAN 01006 13
PVC-FPM (BA)	ST-P	KAN 01006 01
PVC-EPDM (BI)	ST-P	KAN 01006 02
AISI-FPM (AP)	P	KAN 02006 11
AISI-EPDM (AI)	P	KAN02006 12
AISI-NBR (AA)	P	KAN 02006 13
PVC-FPM (BA)	P	KAN 02006 01
PVC-EPDM (BI)	P	KAN 02006 02

Ø 67 mm		
AISI-FPM (AP)	P	KAN 02009 11
AISI-EPDM (AI)	P	KAN 02009 12
AISI-NBR (AA)	P	KAN 02009 13
PVC-FPM (BA)	P	KAN 02009 01
PVC-EPDM (BI)	P	KAN 02009 02

Ø 95 mm		
AISI-FPM (AP)	P	KAN0201111
AISI-EPDM (AI)	P	KAN0201112
AISI-NBR (AA)	P	KAN0201113
PVC-FPM (BA)	P	KAN0201101
PVC-EPDM (BI)	P	KAN0201102



## Diaphragm for PVC-AISI heads

Diameter 50 mm	ST-D	SDF 00003 01
Diameter 67 mm	ST-D	SDF 00003 03
Diameter 85 mm	ST-D	SDF 00003 05
Diameter 75 mm	D	DME 00001 01
Diameter 95 mm	D	DME 00002 01
Diameter 115 mm	D	DME 00004 01



# CHEMICAL RESISTANCE LIST

*Abridged Edition*

Chemical	Formula	PVDF	PP	PTFE	PVC	PE	TFE/P	AISI 316	FPM Viton*	EPDM Dutral*	Suggested configuration for motor pumps
Acetic Acid	CH <sub>3</sub> COOH	ok	ok (60%)	ok	ok (50%)	ok (60%)	ok (34%)	ok	no	ok (50%)	AT
Acetone	CH <sub>3</sub> COCH <sub>3</sub>	ok	no	ok	no	no	no	ok	no	ok	AT
Aluminum Sulfate	Al(SO <sub>4</sub> ) <sub>3</sub>	ok	ok	ok	ok	ok	ok	ok	ok	ok	BP
Aluminum Phosphate	Al(SO <sub>4</sub> ) <sub>3</sub>	ok	ok	ok	ok	ok	ok	ok	ok	ok	BP
Ammonium Aluminum Sulfate	NH <sub>4</sub> Al(SO <sub>4</sub> ) <sub>2</sub>	ok	ok	ok	ok	ok	ok	ok	ok	ok	BA
Calcium Bisulfite	Ca(HSO <sub>3</sub> ) <sub>2</sub>	ok	ok	ok	ok	ok	ok	ok	ok	ok	BA
Calcium Chloride	CaCl <sub>2</sub>	ok	ok	ok	ok	ok	ok	no	ok	ok	BA
Calcium Hypochlorite	Ca(OCl) <sub>2</sub>	ok	ok	ok	ok	ok	ok	no	ok	ok	BA
Calcium Sulfate	CaSO <sub>4</sub>	ok	ok	ok	ok	ok	ok	ok	ok	ok	BA
Hydrochloric Acid	HCl	ok	ok	ok	ok	ok	ok	no	ok	no	BA
Hydrofluoric Acid	HF	ok	ok (60%)	ok	ok (30%)	ok (60%)	ok	no	ok	no	SA
Hydrogen Peroxide	H <sub>2</sub> O <sub>2</sub>	ok	ok (30%)	ok	ok (30%)	ok	ok	ok	ok (30%)	ok (30%)	AP
Nitric Acid	HNO <sub>3</sub>	ok	ok (50%)	ok	ok (50%)	ok (50%)	ok	ok (85%)	ok (60%)	no	AT
Peracetic Acid	C <sub>2</sub> H <sub>4</sub> O <sub>3</sub>	ok	ok	ok	no	no	-	ok	ok	no	SA
Potassium Hydroxide	KOH	ok	ok	ok	ok	ok	ok	ok	no	ok	BI
Potassium Sulfate	K <sub>2</sub> SO <sub>4</sub>	ok	ok	ok	ok	ok	ok	ok	ok	ok	BP
Sodium Carbonate	Na <sub>2</sub> CO <sub>3</sub>	ok	ok	ok	ok	ok	ok	ok	ok	ok	BP
Sodium Bisulfate	NaHSO <sub>4</sub>	ok	ok	ok	ok	ok	ok	ok	ok	ok	BA
Sodium Chloride	NaCl	ok	ok	ok	ok	ok	ok	no	ok	ok	BA
Sodium Hydroxide (50%)	NaOH	ok	ok	ok	ok	ok	ok	ok	no	ok	BI
Sodium Hypochlorite	NaOCl	ok	ok	ok	ok	ok	ok	no	ok	no	BA
Sulfuric Acid	H <sub>2</sub> SO <sub>4</sub>	ok	ok (50%)	ok	ok (60%)	ok (50%)	ok	no	ok	ok (50%)	SA

This Chemical Resistance Chart is the result of the practical experience of the manufacturer. Since the resistance of the materials depends also on other factors (operating conditions, etc.), this list cannot be more than a general information for which no responsibility is accepted. In cases of doubt, tests should be performed. For chemical not listed please contact us. Please note that PTFE and PVDF are resistant against most chemicals (excluding fluorine for the first and ketones and esters for the second).

DosingPump.ir