

## PKX Solenoid Dosing Pumps

### Overview

The PKX metering pumps series are an ideal solution for small dosing with an exceptional price/quality ratio; the mounting bracket (included) simplifies the installation on a wall or on horizontal basin.



PKX wall mount



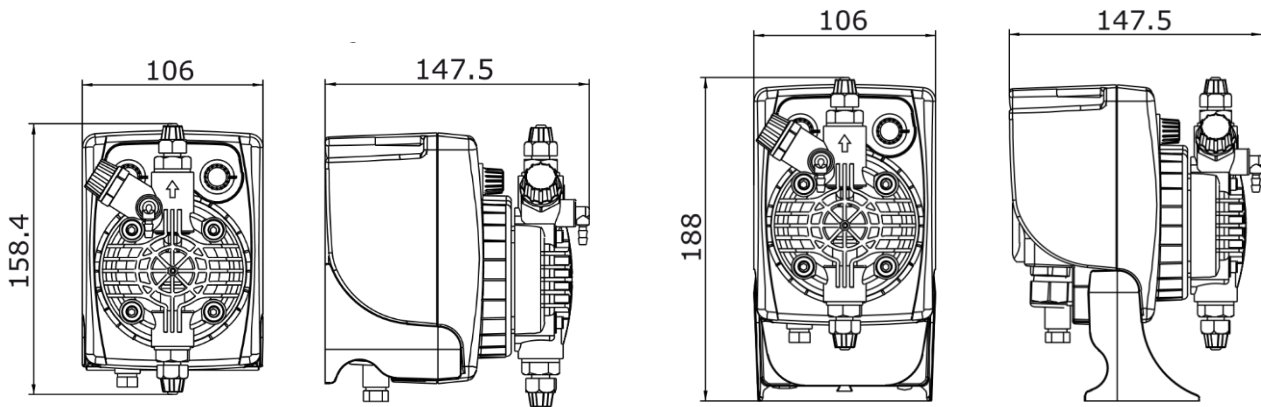
PKX foot mount

### Technical Features

- Flow Rate From 1 to 10 L/H
  - Maximum Pressure 5 Bar
  - Power Supply 230 V standard; 120 V, 12 vdc, 24 vac, 24 vdc
  - Stroke Rate 120 impulses/minute maximum
  - Pump Head PP with lip or ceramic ball valves; Auto-bleed options available
  - Diaphragm PTFE
  - Mounting Supplied with bracket suitable for foot or wall mounting
  - Installation kit PP or PVDF injection valve, foot filter, 2m each of suction/discharge tubing, screws & plugs for wall mounting
- 
- |      |   |
|------|---|
| MA/A | Analogue manual dosing (0 – 100%); Optional level alarm; Available with optional removable power cable;                                       |
|      | Proportional dosing; Volumetric proportional (1 injection per impulse); Volumetric timer (0-60 seconds timed dosing per impulse); Level alarm |
| FT/A | (supplied without level switch); Available with optional removable power cable  |

# PKX Solenoid Dosing Pumps

## Dimensions (in mm)



## Pump Technical Details

Model	Flow rate (L/H)	Max pressure (Bar)	Injection volume (cc)	Max injection frequency (imp/minute)	Tubing (IDxOD mm)	Power supply
01-05	1	5	0.14	120	4x6	230v, 50-60 Hz
02-06	2	6	0.28	120	4x6	230v, 50-60 Hz
05-05	5	5	0.69	120	4x6	230v, 50-60 Hz
07-02	7	2	0.97	120	4x6	230v, 50-60 Hz
10-01	10	1	1.39	120	4x6	230v, 50-60 Hz