

Water Treatment



ATHENA MR 12 Vdc

ELECTROMAGNETIC DOSING PUMPS



Main characteristics

- PVDF PUMP HEAD suitable for chemical used in Industrial, Waste Water Treatment and Potable Water applications
- CERAMIC BALL full chemical compatibility
- PTFE DIAPHRAGM unique life expectancy and compatibility with most chemicals
- POWER SUPPLY: 12 Vdc
- QUICK CONNECTIONS
- MANUAL PRIMING VALVE
- IP65 PROTECTION
- ADJUSTABLE FLOW RATE by the digital control panel
- POWER-ON and LEVEL ALARM LED
- DIGITAL PROPORTIONAL FLOW (AT.MT and AT.PR Pump Functions)
- Constant flow rate manual adjustable
- Proportional flow rate according to:
 - an external signal
 - an analogue signal (4÷20 mA)
 - a digital signal (water meter)
- Batch mode
- Timer function
- Ppm proportional dosing
- Input ON-OFF (remote control)
- pH/Redox Control Meter
- Selectable input for PT100 or PT1000 probe (Thermal-compensation)
- Anti-seepage system

Dosing Pump.it



Water Treatment



Athena – Performance data

PERFORMANCES TEST HAS BEEN DONE AT AMBIENT TEMPERATURE, WITH WATER, AT 1,5 mt SUCTION HEIGHT

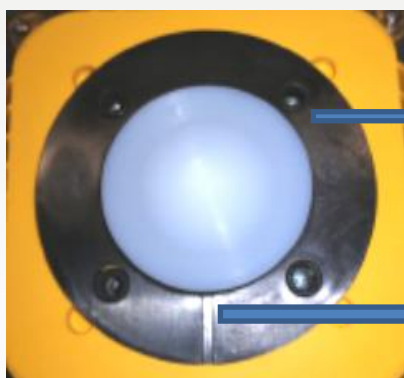
FLOW RATES	PRESSURES	CC/IMP.	CONNECTIONS	STROKES/MIN.	CONSUMPTION	WEIGHT
3 l/h	10 bar	0,25	4x6	200	6,5 watt	3 kg
4 l/h	8 bar	0,33	4x6	200	6,5 watt	3 kg
5 l/h	5 bar	0,42	4x6	200	6,5 watt	3 kg

Anti-seepage system

The anti-seepage system, is a solution to prevent the intrusion of chemical product inside the pump: leakage and chemical intrusion can happen when the O-ring is damaged or consumed by regular use.

This device is integrated in the hydraulic part, between pump head and body, behind the diaphragm: the outgoing collection channel of the anti-seepage device (see below blue arrow) collects the leakage and expel it out.

When the leakage is visible, the operator can proceed either tightening the 4 bolts of the head (4Nm torque) or disassembling the head and inspect it in order to understand leakage causes .



Anti-seepage device

collection channel

Dosing Pump

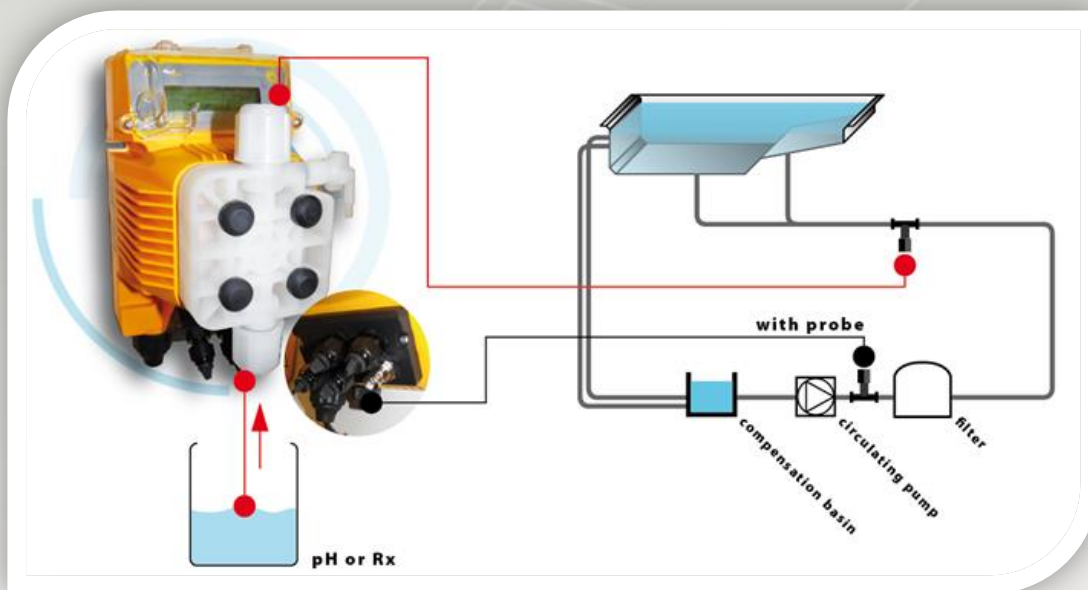


INJECTA
the perfect dosing

Water Treatment



Example of installation



Dosing Pump




INJECTA
the perfect dosing


Water Treatment





Installation kit




AC.VSA (ATHENA.1 .2 .3)	
	<ul style="list-style-type: none"> • PvdF Pump head with automatic bleed valve • Flow reduction, according to the quantity of air in the liquid



AC.VM PVDF	
	<ul style="list-style-type: none"> • Multifunction valve, antisiphon, backpressure, safety • PVDF body, PTFE membrane • Adjustable Pressure 0-5 bar • Relief Pressure 0-18 bar

AC.SF	
	<ul style="list-style-type: none"> • Flow sensor • FPM Seals • 4x6 / 8x12 connections

AC.SL	
	<ul style="list-style-type: none"> • Floating level probe with bipolar cable (2 mt) with support

AC.ST	
	<ul style="list-style-type: none"> • Horizontal base mounting bracket

PRIMING AID	Capacity
	<ul style="list-style-type: none"> • Capacity: 300 ml • PVC Body • FPM seals • Connection: 4x6mm-8x12mm

AC.VIE	
	<ul style="list-style-type: none"> • Extractable injection valve PVC 1/2" g.m. IN - 1/2" g.m. OUT
	<ul style="list-style-type: none"> • Extractable injection valve with ball valve PVC 1/2" g.m. IN - 1/2" g.m. OUT

AC.VS	
	<ul style="list-style-type: none"> • Back-pressure valve up to 10 bar • PTFE diaphragm

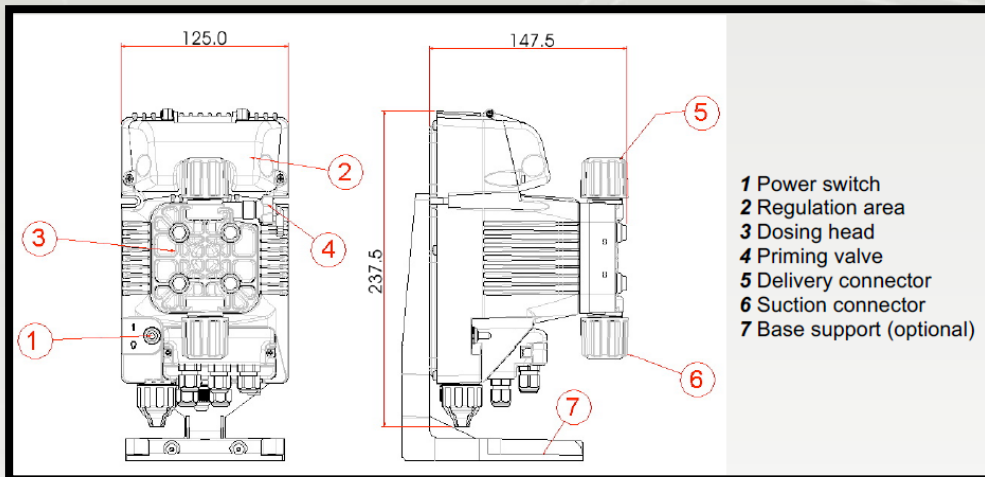
Dosing Pump.it



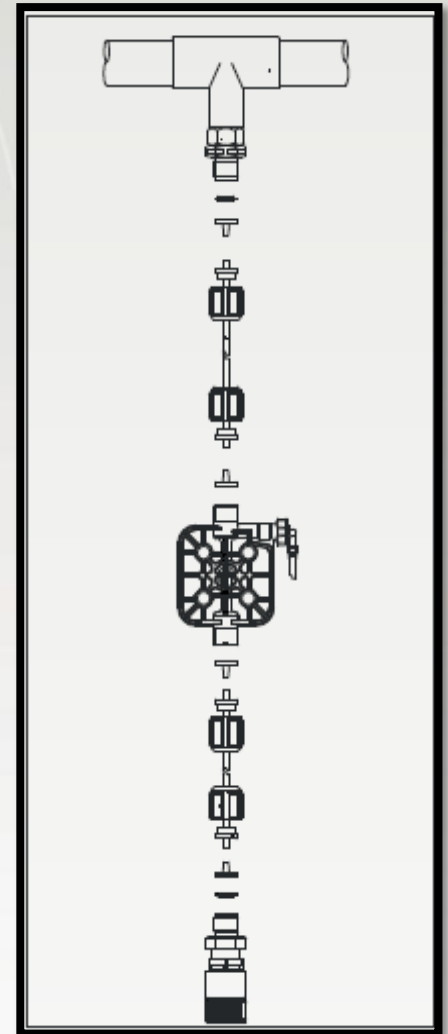
Water Treatment



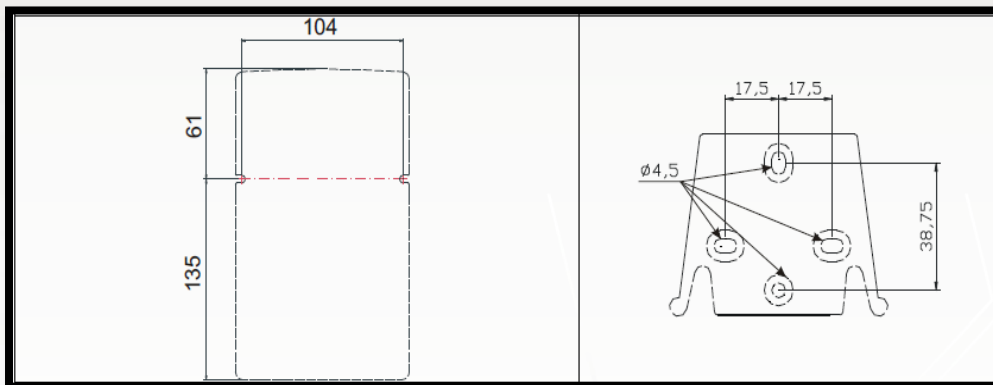
Dimensional drawings



Plumbing



Fixing templates



Dosing Pump

