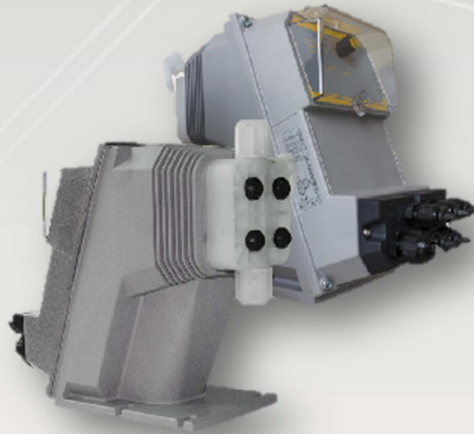


Water Treatment



GEA AM

ELECTROMAGNETIC analogue proportional PUMP WITH ADJUSTABLE FREQUENCY



Main characteristics

- **5 MODELS** with flow rate from 0.4 to 110 l / h; pressure up to 20 bar PVDF head and installation kit, for the best chemical compatibility
- Ceramic balls guarantee perfect sealing and excellent chemical compatibility
- Long life Teflon diaphragm tested for 5 years in continuous operation
- The innovative design of the diaphragm and the production system provide excellent working performance
- Continuous replacement of the diaphragm is not required anymore
- Low maintenance
- Power supply 100/240 Vac 50/60 Hz
- Manual operation with speed adjustment range from 10 to 100%
- Analogue dosing pump with flow rate proportional to:
 - digital signal (water meter) with the possibility to multiply or divide the received pulses
 - an analog signal (4 to 20 mA)
- Level sensor facility with quick connection (Level sensor optional)

Dosing Pump.it



Water Treatment



Performance data

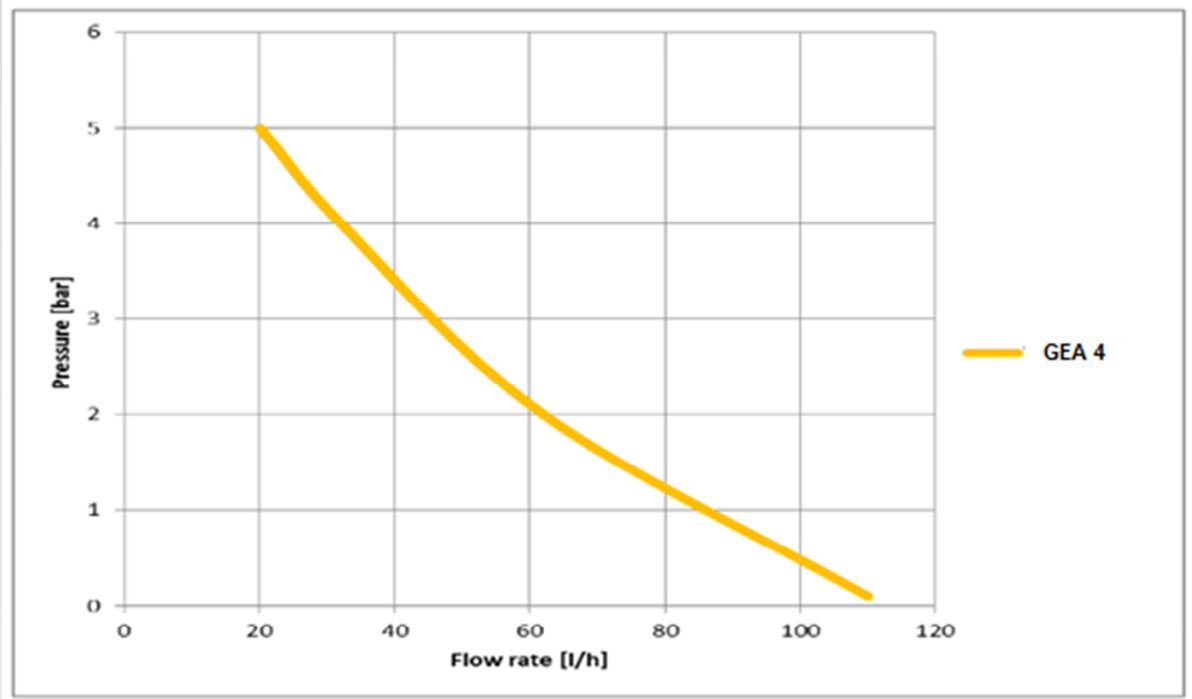
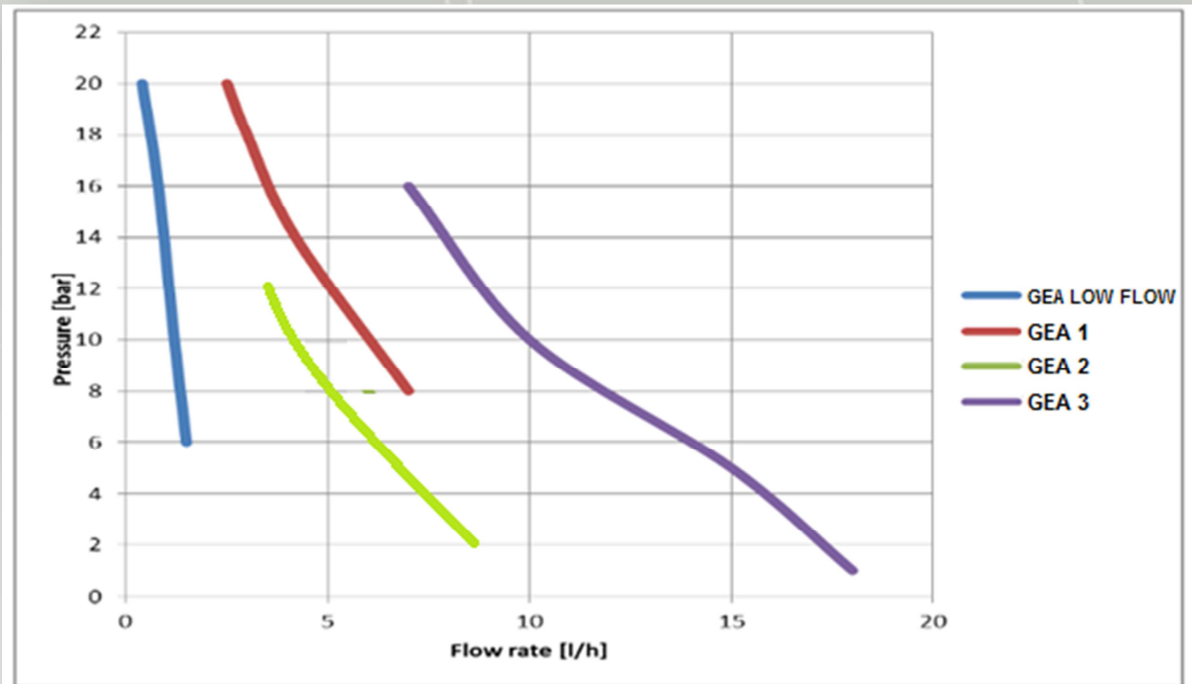
PERFORMANCES TEST HAS BEEN DONE AT AMBIENT TEMPERATURE, WITH WATER, AT 1,5 mt SUCTION HEIGHT

FLOW RATES	PRESSURES	CC/IMP.	CONNECTIONS	STROKES/MIN..	CONSUMPTION	WEIGHT	MODEL
0,4 l/h	20 bar	0,06	4x6 - 4x7	120	14 watt	3 kg	GEA Low flow
0,8 l/h	16 bar	0,11	4x6 - 4x7	120	14 watt	3 kg	
1,2 l/h	10 bar	0,17	4x6 - 4x7	120	14 watt	3 kg	
1,5 l/h	6 bar	0,21	4x6 - 4x7	120	14 watt	3 kg	
2,5 l/h	20 bar	0,35	4x6 - 4x7	120	20 watt	3 kg	GEA 1
3 l/h	18 bar	0,42	4x6 - 4x7	120	20 watt	3 kg	
3 l/h	12 bar	0,31	4x6	160	20 watt	3 kg	GEA 2
4 l/h	10 bar	0,42	4x6	160	20 watt	3 kg	
5 l/h	8 bar	0,52	4x6	160	20 watt	3 kg	
8 l/h	2 bar	0,83	4x6	160	20 watt	3 kg	
7 l/h	16 bar	0,39	4x6	300	40 watt	4 kg	GEA 3
10 l/h	10 bar	0,55	4x6	300	40 watt	4 kg	
14 l/h	6 bar	0,78	4x6	300	40 watt	4 kg	
16 l/h	2 bar	0,89	4x6	300	40 watt	4 kg	
20 l/h	5 bar	1,11	8x12	300	40 watt	4 kg	GEA 4
32 l/h	4 bar	1,78	8x12	300	40 watt	4 kg	
62 l/h	2 bar	3,44	8x12	300	40 watt	4 kg	
110 l/h	0,1 bar	6,11	8x12	300	40 watt	4 kg	

Dosing Pump



Water Treatment



Dosing Pump



Water Treatment



Main application

- **Electroplating industry, Pickling, Degreasing and metal treatments generally**
- **Cooling Tower**
- **Potable water application**
- **Reverse osmosis application**
- **Paper industry**
- **Ceramic industry**

Installation kit



Dosing Pump



INJECTA
the perfect dosing

Water Treatment



Accessories

AC.SL



- Floating level probe with bipolar cable (2 mt) with support

PRIMING AID



- Capacity: 300 ml
- PVC body
- FPM seals
- Connections: 4x6mm – 8x12mm

AC.VS



- Back-pressure valve up to 10 bar
- PTFE diaphragm

AC.VIE



- Extractable injection valve PVC 1/2" g.m. IN - 1/2" g.m. OUT



- Extractable injection valve with ball valve PVC 1/2" g.m. IN - 1/2" g.m. OUT

AC.VSA (ATHENA.1 .2 .3)



- PvdF Pump head with automatic bleed valve
- Flow reduction, according to the quantity of air in the liquid

AC.SF



- Flow sensor
- FPM Seals
- 4x6 / 8x12 connections

AC.VM PVDF



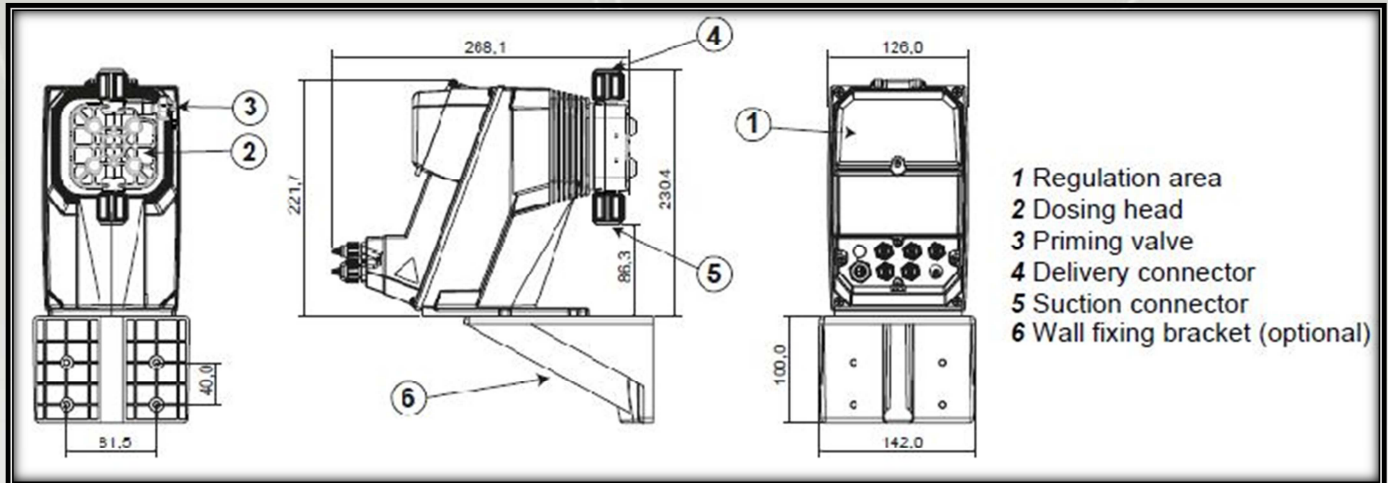
- Multifunction valve, antisiphon, backpressure, safety
- PVDF body, PTFE membrane
- Adjustable Pressure 0÷5 bar • Relief Pressure 0÷18 bar

Dosing Pump

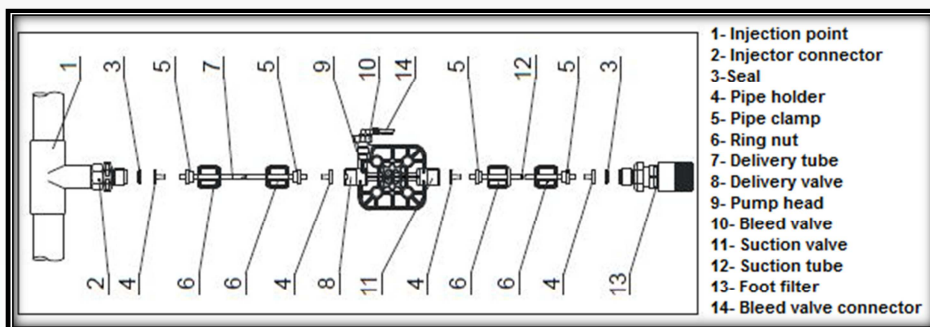
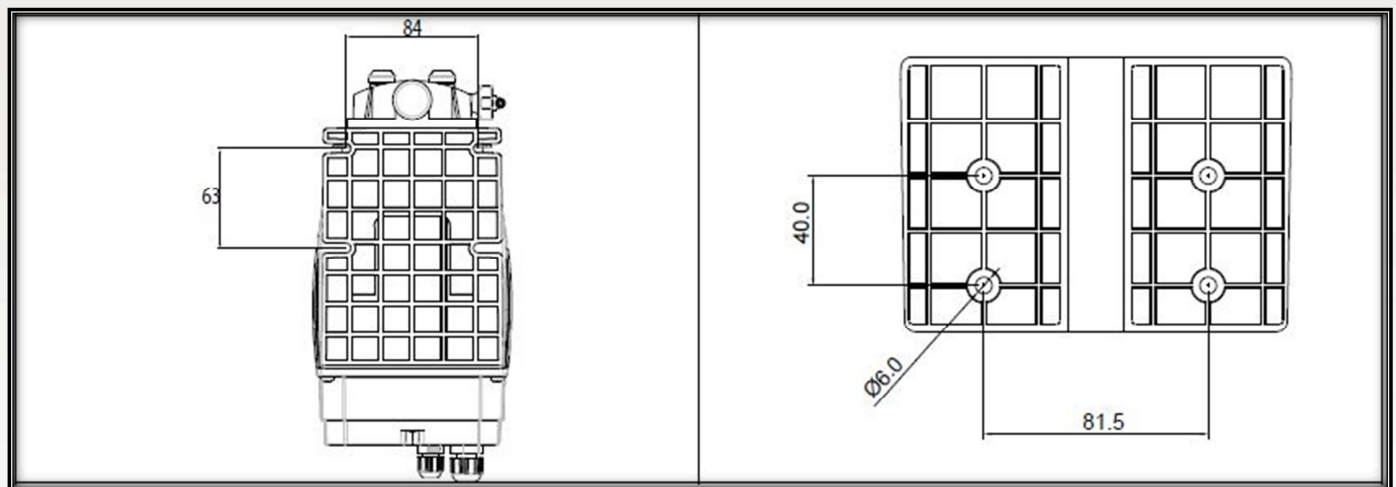
Water Treatment



Dimensional drawing



Fixing templates



Plumbing

Dosing Pump