

Water Treatment



GEA BL

ELECTROMAGNETIC PUMP WITH ADJUSTABLE FREQUENCY



Main characteristics

- **5 MODELS** with flow rate from 0.4 to 110 l / h; pressure up to 20 bar
- **PVDF head and installation kits** for the best chemical compatibility
- **Ceramic balls** guarantee perfect sealing and excellent chemical compatibility
- **Long life Teflon diaphragm**: tested for 5 years of continuous operation
- **Innovative design and new production system of the diaphragm** guarantee excellent performance
- **Continuous replacement of the diaphragm is not required anymore**
- **Low maintenance**
- **Power supply 100/240 Vac 50/60 Hz**
- **Analogue dosing pump with constant flow**
- **Double speed range manual adjustment (0÷20% - 0÷100%)**
- **Level probe facility with quick connection (Level sensor optional)**

DosingPump.it



INJECTA
the perfect dosing

Water Treatment



Performance data

PERFORMANCES TEST HAS BEEN DONE AT AMBIENT TEMPERATURE, WITH WATER, AT 1,5 mt SUCTION HEIGHT

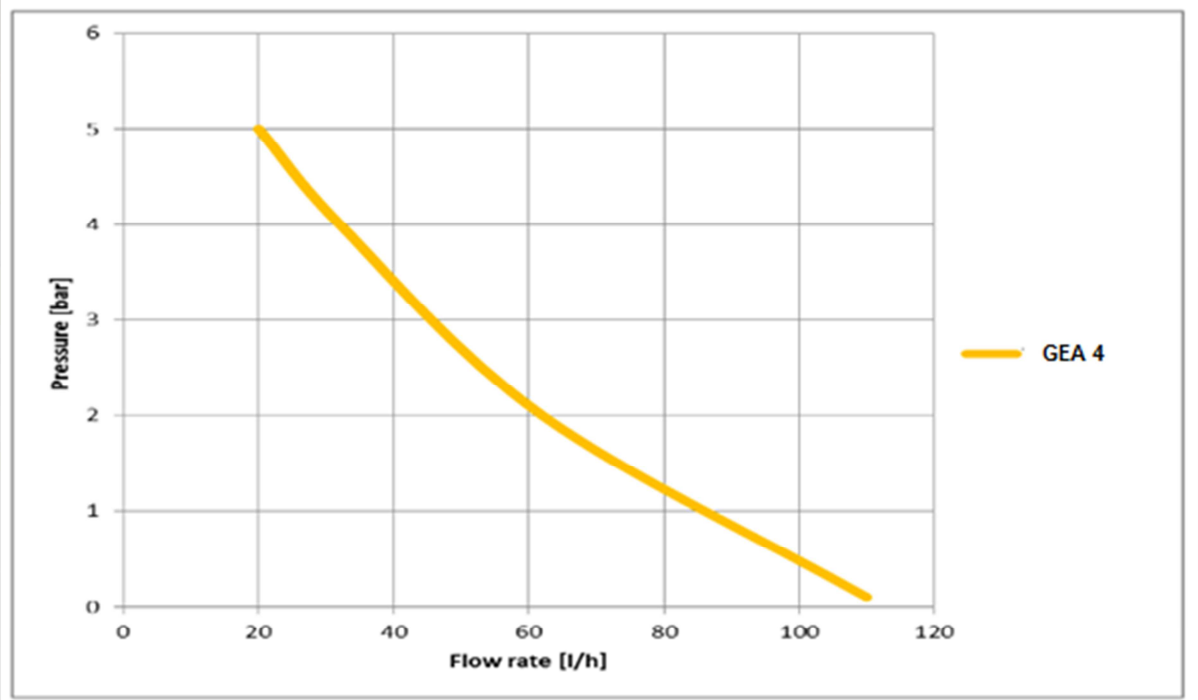
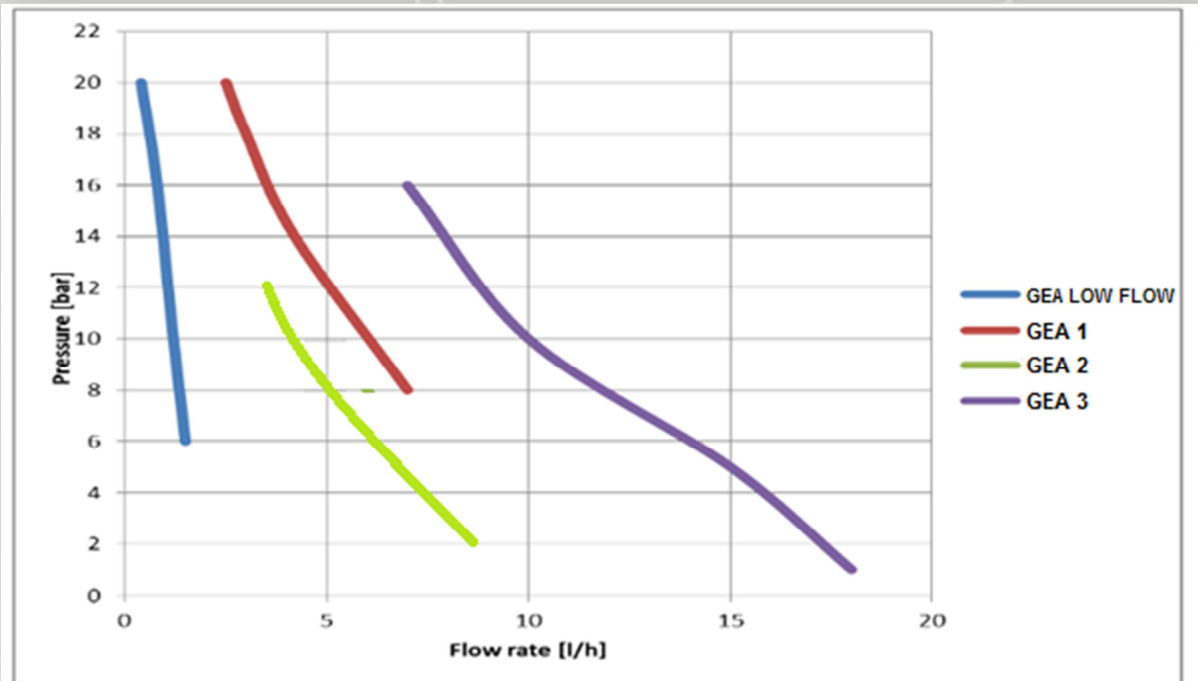
FLOW RATES	PRESSURES	CC/IMP.	CONNECTIONS	STROKES/MIN	CONSUMPTION	WEIGHT	MODEL
0,4 l/h	20 bar	0,06	4x6 - 4x7	120	14 watt	3 kg	GEA LOW FLOW
0,8 l/h	16 bar	0,11	4x6 - 4x7	120	14 watt	3 kg	
1,2 l/h	10 bar	0,16	4x6 - 4x7	120	14 watt	3 kg	
1,5 l/h	6 bar	0,21	4x6 - 4x7	120	14 watt	3 kg	
2,5 l/h	20 bar	0,35	4x6 - 4x7	120	20 watt	3 kg	GEA 1
3 l/h	18 bar	0,42	4x6 - 4x7	120	20 watt	3 kg	
3 l/h	12 bar	0,31	4x6	160	20 watt	3 kg	GEA 2
4 l/h	10 bar	0,42	4x6	160	20 watt	3 kg	
5 l/h	8 bar	0,52	4x6	160	20 watt	3 kg	
8 l/h	2 bar	0,83	4x6	160	20 watt	3 kg	
7 l/h	16 bar	0,39	4x6	300	40 watt	4 kg	GEA 3
10 l/h	10 bar	0,55	4x6	300	40 watt	4 kg	
14 l/h	6 bar	0,78	4x6	300	40 watt	4 kg	
16 l/h	2 bar	0,89	4x6	300	40 watt	4 kg	
20 l/h	5 bar	1,11	8x12	300	40 watt	4 kg	GEA 4
32 l/h	4 bar	1,78	8x12	300	40 watt	4 kg	
62 l/h	2 bar	3,44	8x12	300	40 watt	4 kg	
110 l/h	0,1 bar	6,11	8x12	300	40 watt	4 kg	

Dosing Pump.it



INJECTA
the perfect dosing

Water Treatment



Dosing Pump



INJECTA
the perfect dosing

Water Treatment



Main application

- **Electroplating industry, Pickling, Degreasing and metal treatments generally**
- **Cooling Tower**
- **Potable water application**
- **Reverse osmosis application**
- **Paper industry**
- **Ceramic industry**

Kit di installazione



Dosing Pump.it



INJECTA
the perfect dosing

Water Treatment



Accessories

AC.SL



- Floating level probe with bipolar cable (2 mt) with support

AC.VS



- Back-pressure valve up to 10 bar
- PTFE diaphragm

AC.VIE



- Extractable injection valve PVC 1/2" g.m. IN - 1/2" g.m. OUT



- Extractable injection valve with ball valve PVC 1/2" g.m. IN - 1/2" g.m. OUT

PRIMING AID



- Capacity: 300 ml
- PVC body
- FPM seals
- Connections: 4x6mm - 8x12mm

AC.VSA (ATHENA.1 .2 .3)



- Pvdf Pump head with automatic bleed valve
- Flow reduction, according to the quantity of air in the liquid

AC.SF



- Flow sensor
- FPM Seals
- 4x6 / 8x12 connections

AC.VM PVDF



- Multifunction valve, antisiphon, backpressure, safety
- PVDF body, PTFE membrane
- Adjustable Pressure 0-5 bar • Relief Pressure 0-18 bar

Dosing Pump.it

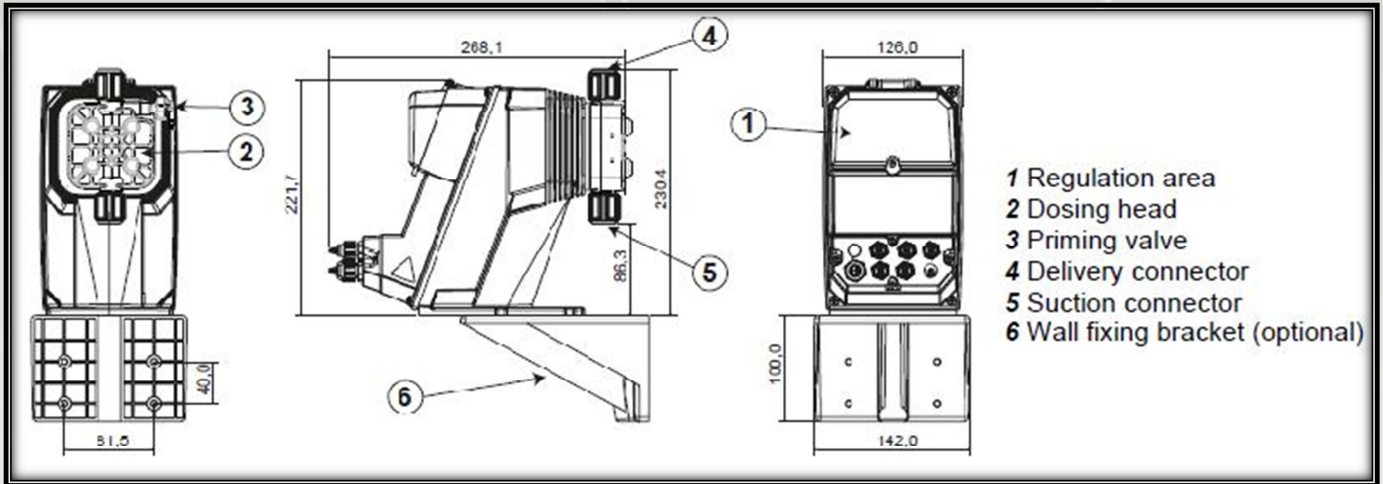


INJECTA
the perfect dosing

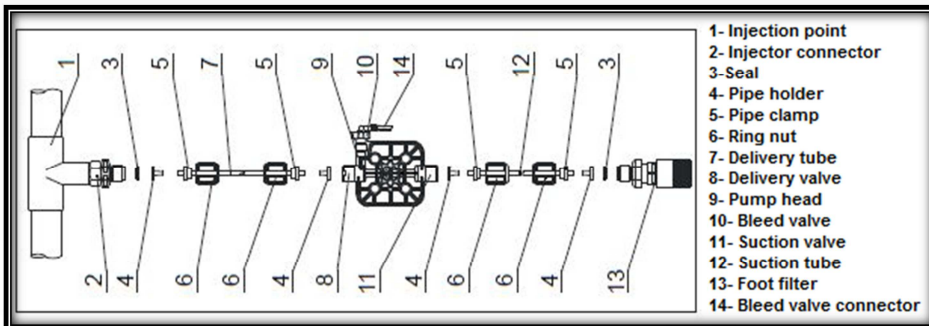
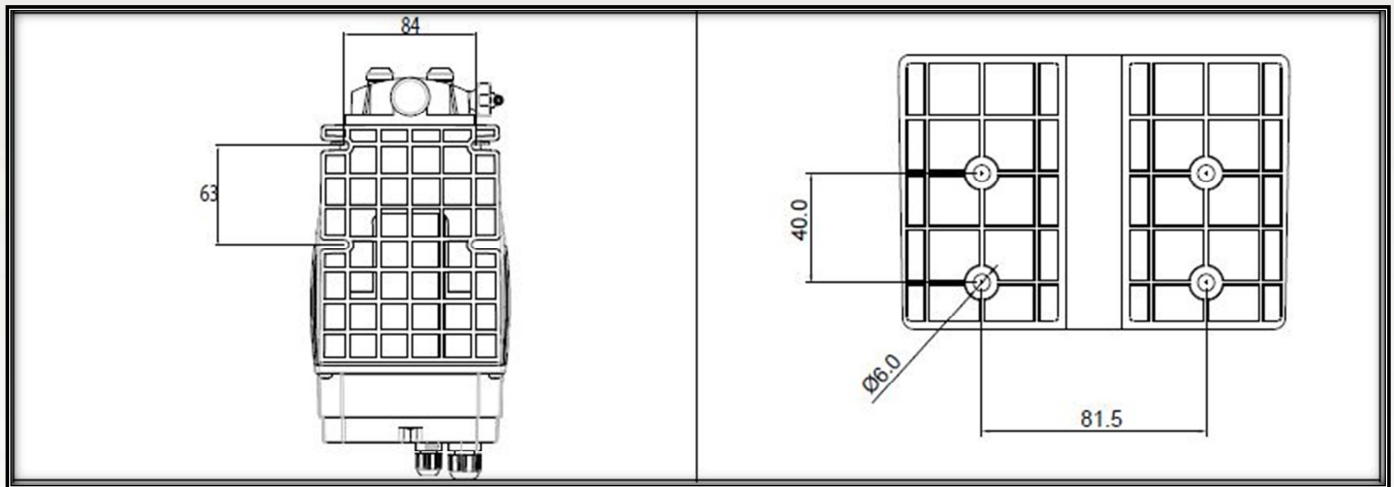
Water Treatment



Dimensional drawing



Fixing templates



Plumbing

Dosing Pump.it



INJECTA
 the perfect dosing