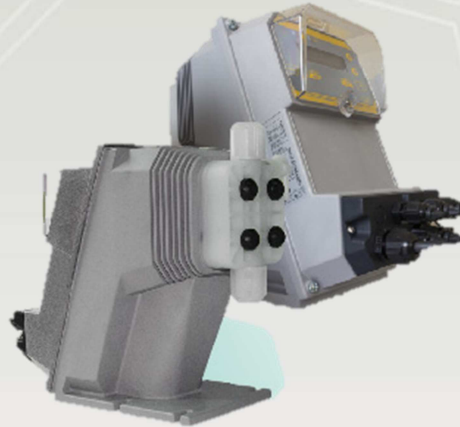


# Water Treatment



## GEA PR

### ELECTROMAGNETIC PUMP WITH ADJUSTABLE FREQUENCY



## Main characteristics

- 5 MODELS WITH FLOW FROM 0.4 TO 110l / h; pressures up to 20 bar
- Head and PVDF kits, allow the compatibility with the most important chemical products
- The ceramic balls guarantee perfect tightness and excellent chemical compatibility
- Long life of the diaphragm Teflon: tested for 5 years of continuous operation
- The innovative design of the diaphragm and the production system provide exceptional work performance
- The continuous replacement of the diaphragm is not required
- Reduced maintenance
- Power 100 / 240 Vac 50 / 60 Hz
- to reach digital proportional with pH / Rx tool
- PH measurement range 0 to 14 - Rx - 999 ÷ 999 Mv
- Automatic compensation \ temperature manually (ph)
- Output 4 to 20 mA of full scale for recording
- Automatic / manual temperature compensation with probe efficiency indication

Dosing Pump.it



**INJECTA**  
the perfect dosing

# Water Treatment



## Performance data

PERFORMANCES TEST HAS BEEN DONE AT AMBIENT TEMPERATURE, WITH WATER, AT 1,5 mt SUCTION HEIGHT

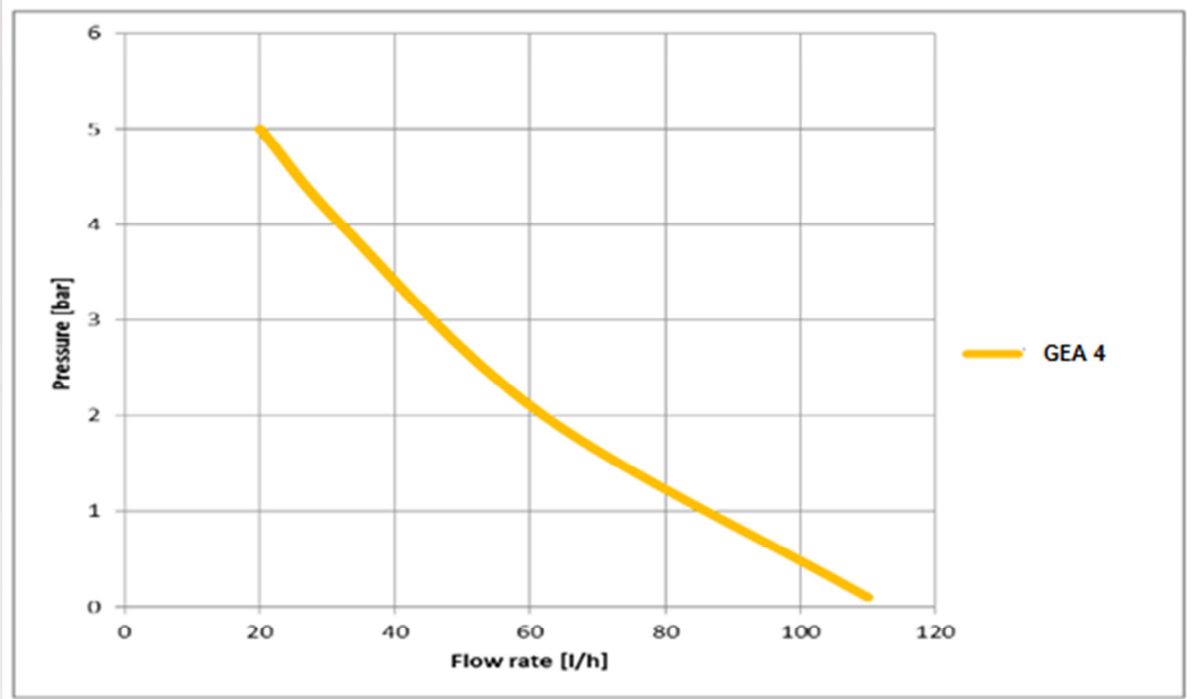
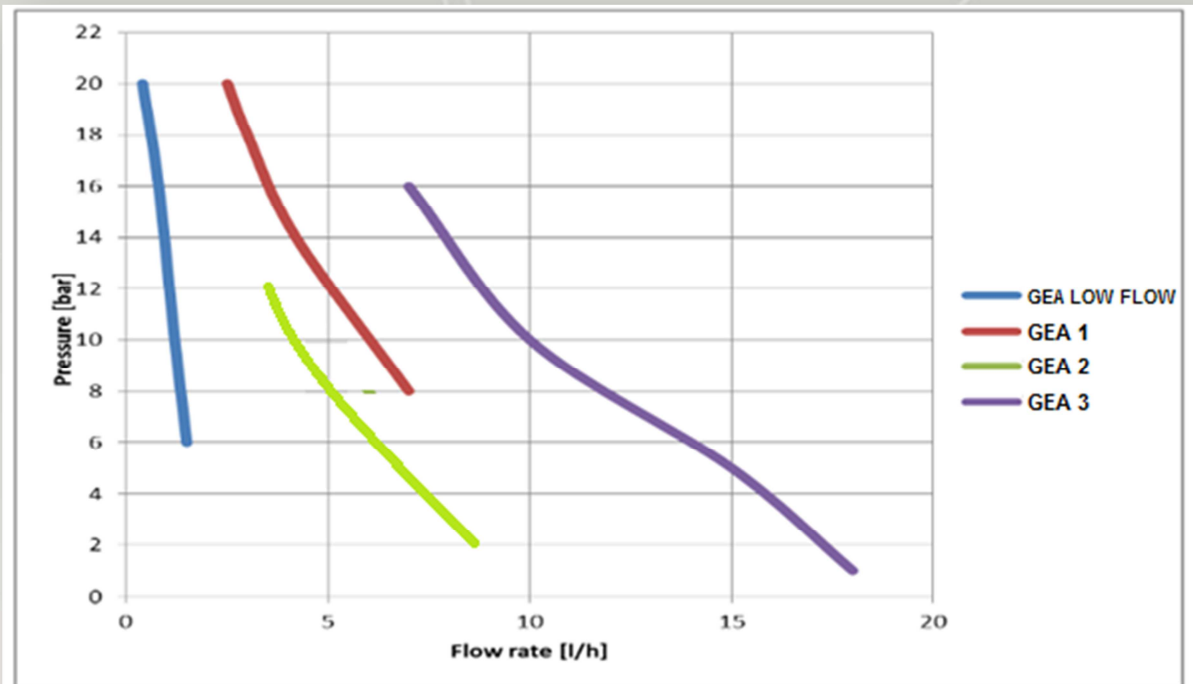
FLOW RATES	PRESSURES	CC/IMP..	CONNECTIONS	STROKES/MIN.	CONSUMPTION	WEIGHT	MODEL
0,4 l/h	20 bar	0,06	4x6 - 4x7	120	14 watt	3 kg	<b>GEA Low Flow</b>
0,8 l/h	16 bar	0,11	4x6 - 4x7	120	14 watt	3 kg	
1,2 l/h	10 bar	0,17	4x6 - 4x7	120	14 watt	3 kg	
1,5 l/h	6 bar	0,21	4x6 - 4x7	120	14 watt	3 kg	
2,5 l/h	20 bar	0,35	4x6 - 4x7	120	20 watt	3 kg	<b>GEA 1</b>
3 l/h	18 bar	0,42	4x6 - 4x7	120	20 watt	3 kg	
3 l/h	12 bar	0,31	4x6	160	20 watt	3 kg	<b>GEA 2</b>
4 l/h	10 bar	0,42	4x6	160	20 watt	3 kg	
5 l/h	8 bar	0,52	4x6	160	20 watt	3 kg	
8 l/h	2 bar	0,83	4x6	160	20 watt	3 kg	
7 l/h	16 bar	0,39	4x6	300	40 watt	4 kg	<b>GEA 3</b>
10 l/h	10 bar	0,55	4x6	300	40 watt	4 kg	
14 l/h	6 bar	0,78	4x6	300	40 watt	4 kg	
16 l/h	2 bar	0,89	4x6	300	40 watt	4 kg	
20 l/h	5 bar	1,11	8x12	300	40 watt	4 kg	<b>GEA 4</b>
32 l/h	4 bar	1,78	8x12	300	40 watt	4 kg	
62 l/h	2 bar	3,44	8x12	300	40 watt	4 kg	
110 l/h	0,1 bar	6,11	8x12	300	40 watt	4 kg	

Dosing Pump.it



**INJECTA**  
the perfect dosing

# Water Treatment



Dosing Pump



# Water Treatment



## Main application

- **Electroplating industry, Pickling, Degreasing and metal treatments generally**
- **Cooling Tower**
- **Potable water application**
- **Reverse osmosis application**
- **Paper industry**
- **Ceramic industry**

## Installation kit



DosingPump.it



**INJECTA**  
the perfect dosing



# Water Treatment



## Accessories

### AC.SL



- Floating level probe with bipolar cable (2 mt) with support

### AC.VS



- Back-pressure valve up to 10 bar
- PTFE diaphragm

### AC.VIE



- Extractable injection valve PVC 1/2" g.m. IN - 1/2" g.m. OUT



- Extractable injection valve with ball valve PVC 1/2" g.m. IN - 1/2" g.m. OUT

### PRIMING AID



- Capacity: 300 ml
- PVC body
- FPM seals
- Connections: 4x6mm – 8x12mm

### AC.VSA (ATHENA.1 .2 .3)



- Pvdf Pump head with automatic bleed valve
- Flow reduction, according to the quantity of air in the liquid

### AC.SF



- Flow sensor
- FPM Seals
- 4x6 / 8x12 connections

### AC.VM PVDF



- Multifunction valve, antisiphon, backpressure, safety
- PVDF body, PTFE membrane
- Adjustable Pressure 0÷5 bar • Relief Pressure 0÷18 bar

Dosing Pump.it

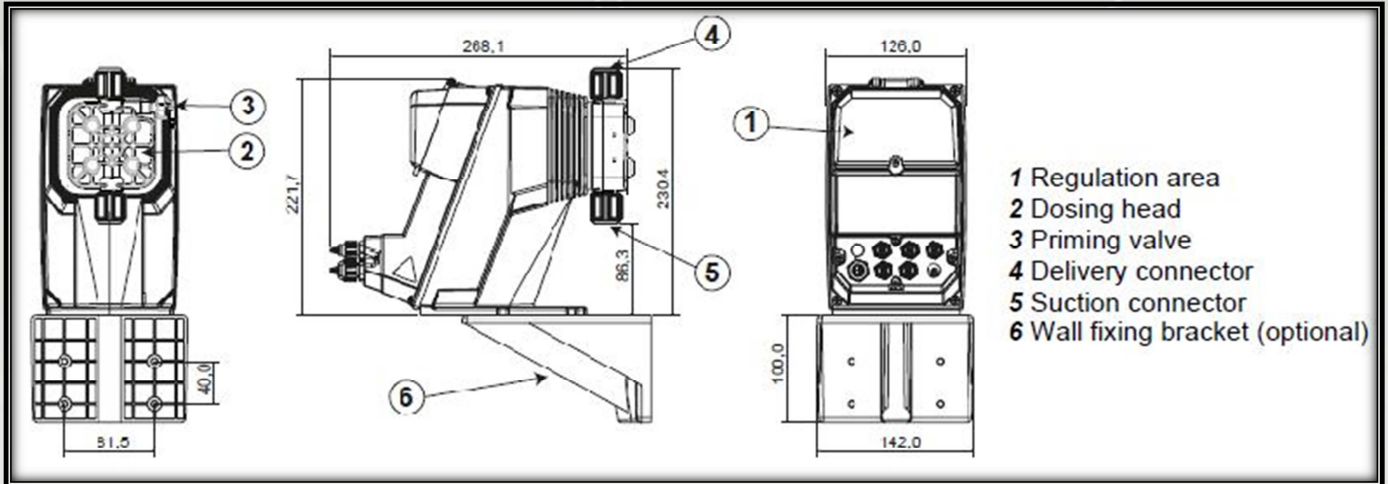


**INJECTA**  
the perfect dosing

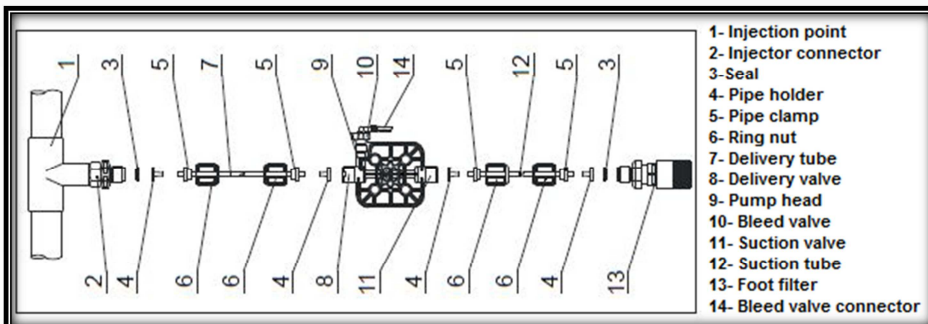
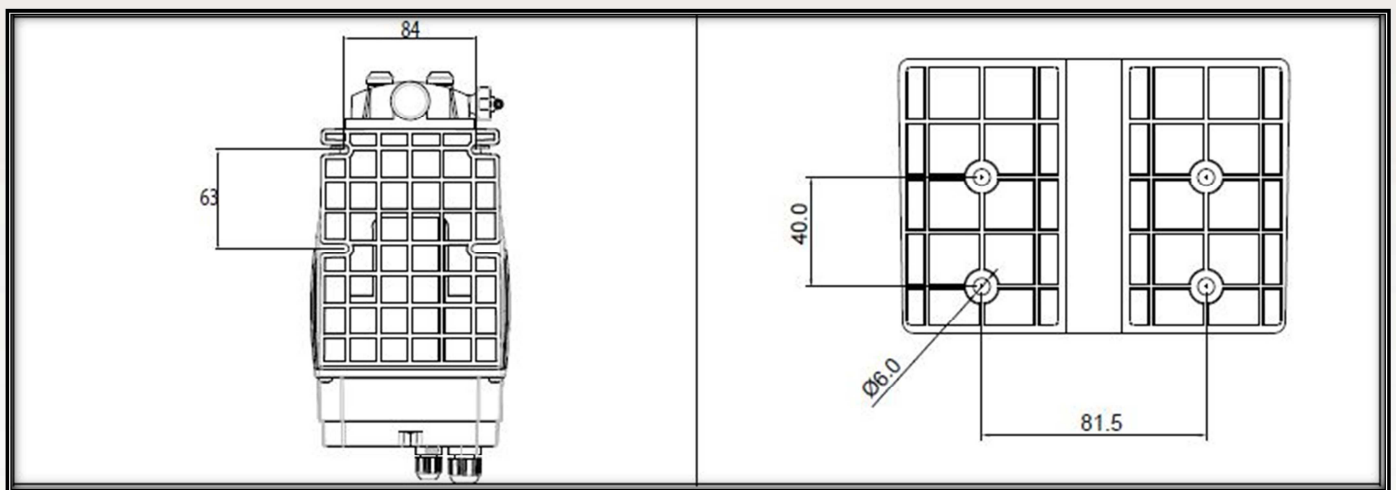
# Water Treatment



## Dimensional drawing



## Fixing templates



## Plumbing

Dosing Pump.it

