

Water Treatment



GEA R MT

ELECTROMAGNETIC PUMP WITH ADJUSTABLE STROKE LENGTH AND FREQUENCY



Main characteristics

- Electromagnetic dosing pump with stroke length and frequency adjustment
- 1 model with flow rates from 8 to 25 l / h, pressure up to 14 bar
- The double adjustment allows a precise dosing over a wide range of applications
- Digital pump with proportional flow rate according to:
 - To a digital signal (water meter) with the ability to multiply or divide the pulses received
 - To an analog signal (4 to 20 mA) with the possibility of adjusting the percentage of maximum flowrate
- Manual flow adjustment (0÷100).
- Electronic stroke length adjustment (30÷100).

Dosing Pump.it



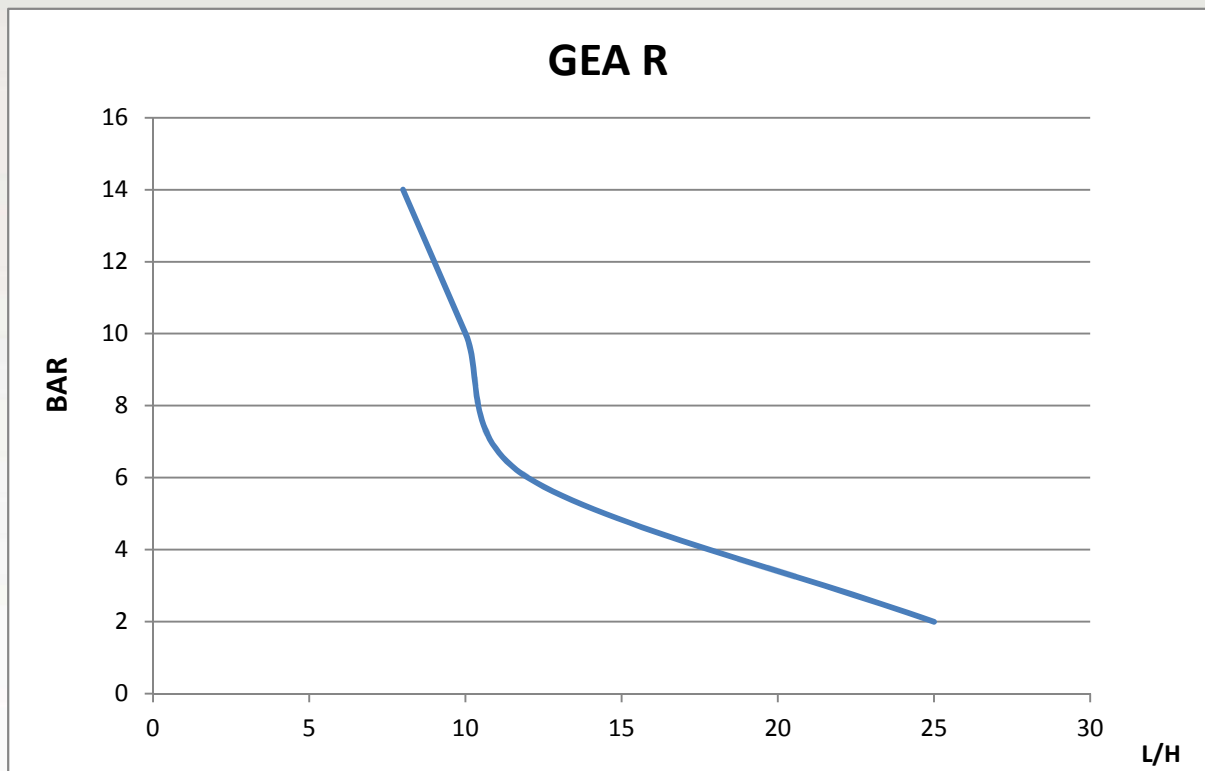
Water Treatment



Performance data

PERFORMANCES TEST HAS BEEN DONE AT AMBIENT TEMPERATURE, WITH WATER, AT 1,5 mt SUCTION HEIGHT

FLOW RATES	PRESSURES	CC/IMP.	CONNECTIONS	STROKES/MIN..	CONSUMPTION	
8 l/h	14 bar	0,49	4x6	270	15 watt	26 watt
10 l/h	10 bar	0,62	4x6	270	15 watt	26 watt
12 l/h	6 bar	0,74	4x6	270	15 watt	26 watt
25 l/h	2 bar	1,54	4x6	270	15 watt	26 watt



Dosing Pump.it



INJECTA
the perfect dosing

Water Treatment



Main applications

- **Electroplating industry, Pickling, Degreasing and metal treatments generally**
- **Cooling Tower**
- **Potable water application**
- **Reverse osmosis application**
- **Paper industry**
- **Ceramic industry**

Installation kit



Dosing Pump.it

Water Treatment



Accessories

AC.SL



- Floating level probe with bipolar cable (2 mt) with support

AC.VS



- Back-pressure valve up to 10 bar
- PTFE diaphragm

AC.VIE



- Extractable injection valve PVC 1/2" g.m. IN - 1/2" g.m. OUT



- Extractable injection valve with ball valve PVC 1/2" g.m. IN - 1/2" g.m. OUT

PRIMING AID



- Capacity: 300 ml
- PVC body
- FPM seals
- Connections: 4x6mm - 8x12mm

AC.SF



- Flow sensor
- FPM Seals
- 4x6 / 8x12 connections

AC.VM PVDF



- Multifunction valve, antisiphon, backpressure, safety
- PVDF body, PTFE membrane
- Adjustable Pressure 0-5 bar • Relief Pressure 0-18 bar

Dosing Pump.it

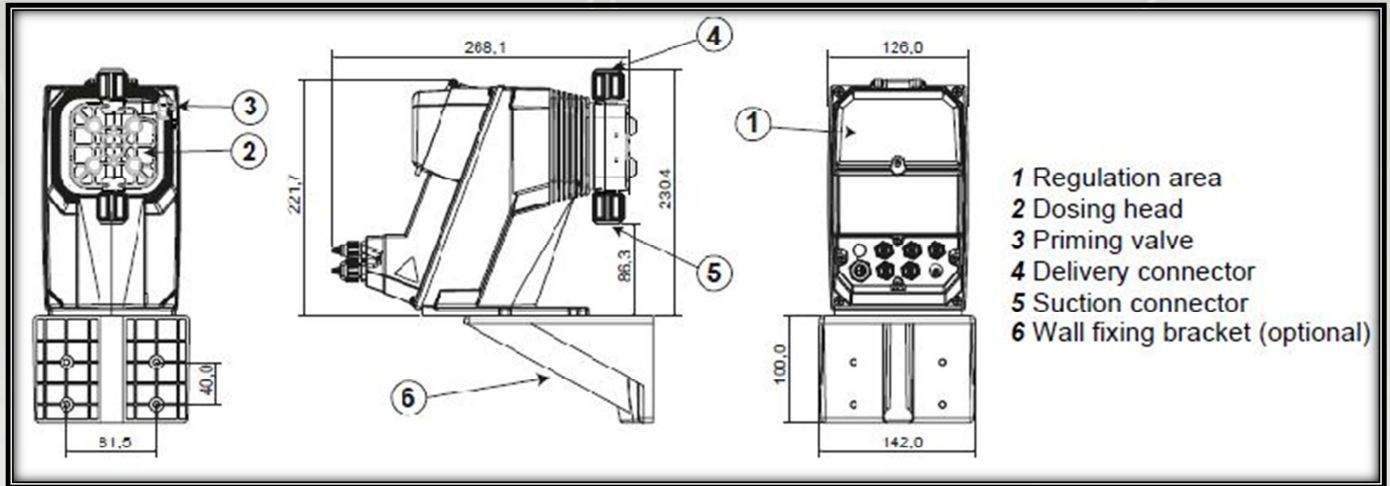


INJECTA
the perfect dosing

Water Treatment

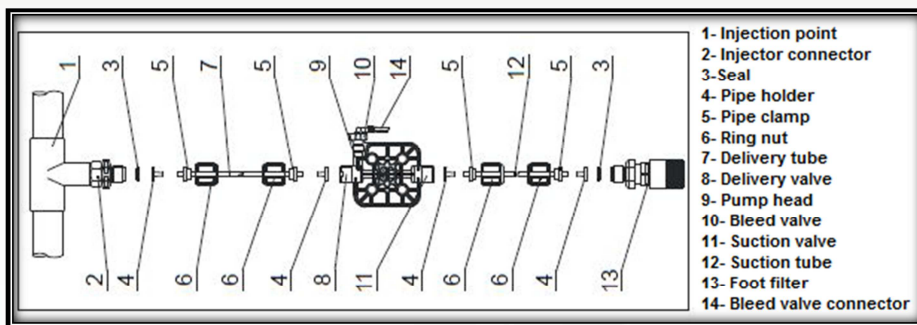
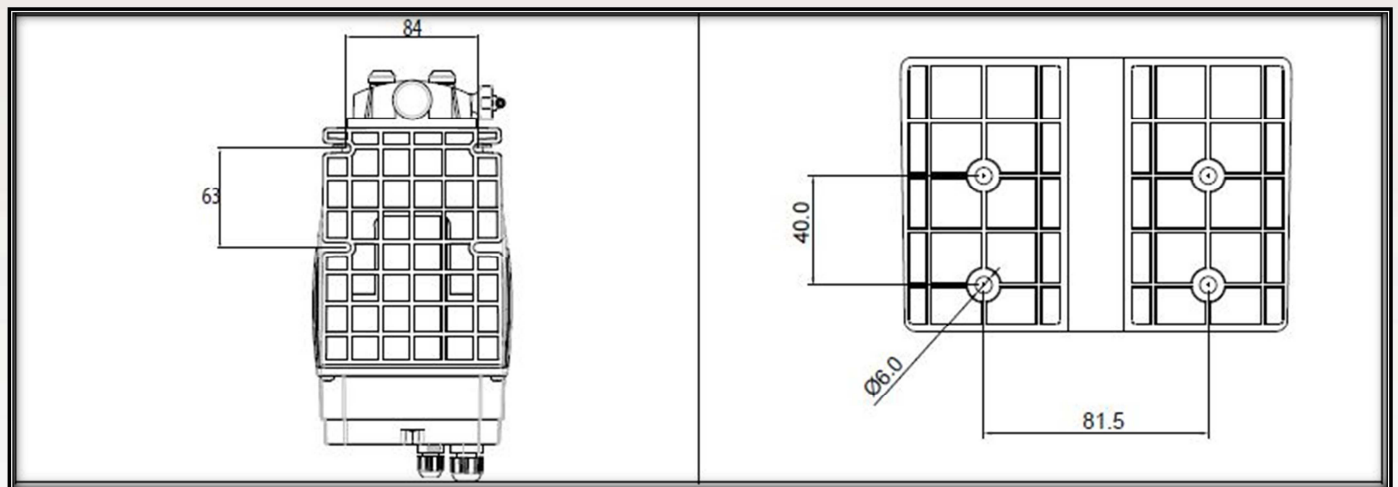


Dimensional drawing



- 1 Regulation area
- 2 Dosing head
- 3 Priming valve
- 4 Delivery connector
- 5 Suction connector
- 6 Wall fixing bracket (optional)

Fixing templates



Plumbing

Dosing Pump.it