



2022

GEAR

DosingPump.ir

ELECTROMAGNETIC DOSING PUMPS WITH
MECHANICAL STROKE LENGTH REGULATION

ELECTROMAGNETIC DOSING PUMPS WITH MECHANICAL STROKE LENGTH REGULATION

Thanks to its modern conception, this pump combines reliability, dosing precision and easy installation, representing a reference point in the base mounted metering pump sector.

DISPLAY AND KEYPAD

GEA R is programmable through a keypad. All settings are shown on the 2-line/8-digit backlit display.

EXTERNAL SIGNAL CONNECTOR

The connector is protected by an IP65 cover.

DOSING MODE

The pump head, equipped with a low-level alarm, has a manual priming valve. The flow rate can be adjusted either manually or automatically, in this latter case using input signals, within a range between 0 (pump stop) and 100% of the maximum flow rate.

PUMP HEAD MATERIALS:

- Body: PVDF
- Valves: Ceramic ball
- O-Ring: FPM/EPDM
- Diaphragm: PTFE
-

The parts coming into contact with the dosed liquid, have been designed to be compatible with the mostly used chemical products.

TECHNICAL CHARACTERISTICS

Flow rate range: 2.5 to 18 l/h

Accuracy: $\leq 2,0\%$

Max Pressure: 16 bar (232 psi)

Manual priming valve

Manually adjustable stroke length

Stabilized Multi Power Supply 100 - 240 Vac, 50/60 Hz

Frequency: up to 300 strokes/minute

Pump head: PVDF

Diaphragm: PTFE

Case: PP reinforced with fiber glass (protection degree IP65)

Base mounting

Installation Kit included + wall mounting bracket

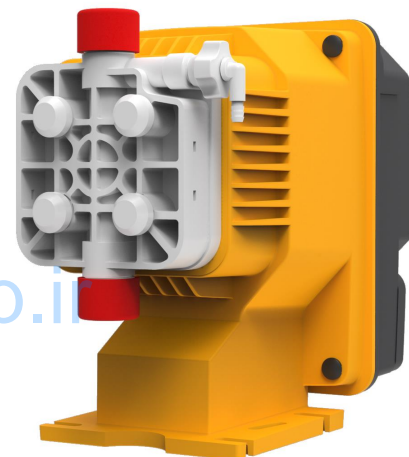
5 YEARS WARRANTY DIAPHRAGM

- Thanks to its advanced design and manufacturing process, Injecta diaphragm has an excellent service life.
- The PTFE diaphragm is compatible with the mostly used chemical products.
- Operational costs can be reduced, thanks to a less frequent maintenance.

CONSTANT DOSING

GEA R Series is equipped with a Stabilized Multi Power Supply 100÷240 Vac, 50/60 Hz.

- The solenoid only absorbs the power required to activate the pump, based on the working conditions
- Improved pump efficiency is not affected by power supply fluctuations.



GEA-R BL MANUAL ADJUSTMENT WITH LEVEL CONTROL

Manual adjustment through the front panel showing the percentage of frequency (P %) or the number of strokes (F). Input for level probe included.



GEA-R MT AUTOMATIC CONTROL (ANALOGUE/DIGITAL PULSE SIGNAL INPUT)

Equipped with a status indicator, level control and 2 different dosing modes:

- Constant – The pump doses in constant mode, manually selectable on the display.
- Proportional – The pump doses in proportional mode, based on a digital pulse signal (e.g. from water meter), or an external analogue signal (4 – 20 mA).

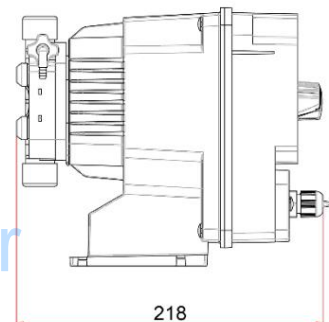
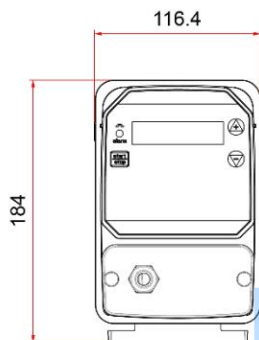
Other characteristics:

- Timer function
- PPM proportional dosing
- Statistics
- Password
- Input On-Off (remote control)



TECHNICAL DATA

	FLOW RATE (l/h)	PRESSURE (bar)	CC PER STROKES	IN/OUT CONNECTION (Ø mm.)	Maximum frequency (s/min)
Model SERIE 1	25	20	0.35	4 - 6 / 4 - 7	120
	3	18	0.42		
	4.2	14	0.58		
	7	8	0.97		
Model SERIE 2	4	12	0.42	4 - 6	160
	5	10	0.52		
	6	8	0.63		
	8	2	0.83		
Model SERIE 3	7	16	0.38	4 - 6	300
	10	10	0.55		
	15	5	0.83		
	18	1	1.00		
Model SERIE 4	20	5	1.11	8 - 12	300
	32	4	1.78		
	62	2	3.44		
	110	0.1	6.11		



DosingPump.ir
INJECTA
 the perfect dosing