

Water Treatment



TAURUS

ELECTROMECHANICAL DOSING PUMPS



Main characteristics

- Mechanical diaphragm metering pumps featuring a spring return mechanism, and with an aluminium housing.
- Each pump is equipped with manual flow adjustment and can be equipped with an electric actuator which accepts a 4÷20 mA or inverter.

TM.2-4-6 diaphragm version

- STROKE 2-4-6 mm
- 5,5 ÷ 460 l/h max flow rate • 10 bar max pressure • 58-116 strokes/min fixed frequency • 65÷165 mm diaphragm diameters • 0,18/0,25/0,37 kW standard IP55 motors
- PP, PVC, SS 316, PVDF pump head

Dosing Pump.it



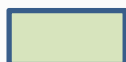
Water Treatment



Taurus – Performance data

PERFORMANCES TEST HAS BEEN DONE AT AMBIENT TEMPERATURE, WITH WATER, AT 1,5 mt SUCTION HEIGHT

MODEL	Ø DIAPHRAGM	STROKE L.	STROKES/MIN.	FLOW RATES	PRESSURE	CONNECTION	WEIGHTS SS316 - PVC/PP/PVDF	MOTOR
TM02064A	64 mm	2 mm	58	5,0 l/h	10 bar	1/4" g.f.	10,2 Kg – 8,5 Kg	THREE PHASE 0,18 kW SINGLE PHASE 0,25 Kw
TM02064B	64mm	2mm	78	8,0 l/h	10 bar	1/4" g.f.	10,2 kg – 8,5 kg	
TM02064C	64 mm	2 mm	116	11,0 l/h	10 bar	1/4" g.f.	10,2 Kg – 8,5 Kg	
TM02094A	94 mm	2 mm	58	20,0 l/h	10 bar	3/8" g.f.	10,7 Kg – 8,4 Kg	THREE PHASE 0,25 kW SINGLE PHASE 0,37 Kw
TM2094B	94 mm	2mm	78	26,0 l/h	10 bar	3/8" g.f.	10,7 Kg – 8,4 Kg	
TM02094C	94 mm	2 mm	116	40,0 l/h	10 bar	3/8" g.f.	10,7 Kg – 8,4 Kg	
TM04108A	108 mm	4 mm	58	60,0 l/h	10 bar	3/8" g.f.	13,3 Kg – 10,1 Kg	THREE PHASE 0,37 kW SINGLE PHASE 0,55 Kw
TM04108B	108 mm	4 mm	78	80,0 l/h	10 bar	3/8 " g.f.	13,3 kg- 10,1 kg	
TM04108C	108 mm	4 mm	116	120,0 l/h	10 bar	3/8" g.f.	13,3 Kg – 10,1 Kg	
TM06138A	138 mm	6 mm	58	155,0 l/h	7 bar	3/4" g.f.	18,4 Kg – 12,3 Kg	
TM06138B	138 mm	6 mm	78	220,0 l/h	7 bar	3/4" g.f.	18,4 kg – 12,3 kg	
TM06138C	138 mm	6 mm	116	310,0 l/h	7 bar	1 g.f.	18,4 Kg – 12,3 Kg	
TM06165A	165 mm	6 mm	58	230,0 l/h	5 bar	1 g.f.	22,0 Kg – 13,2 Kg	
TM06165B	165 mm	6 mm	78	330,0 l/h	5 bar	1" g.f.	22,0 kg - 13,2 kg	
TM06165C	165 mm	6 mm	116	500,0 l/h	3 bar	1 g.f.	22,0 Kg – 13,2 Kg	



High pressure (up to 16 bar) PVC pump head available

Dosing Pump



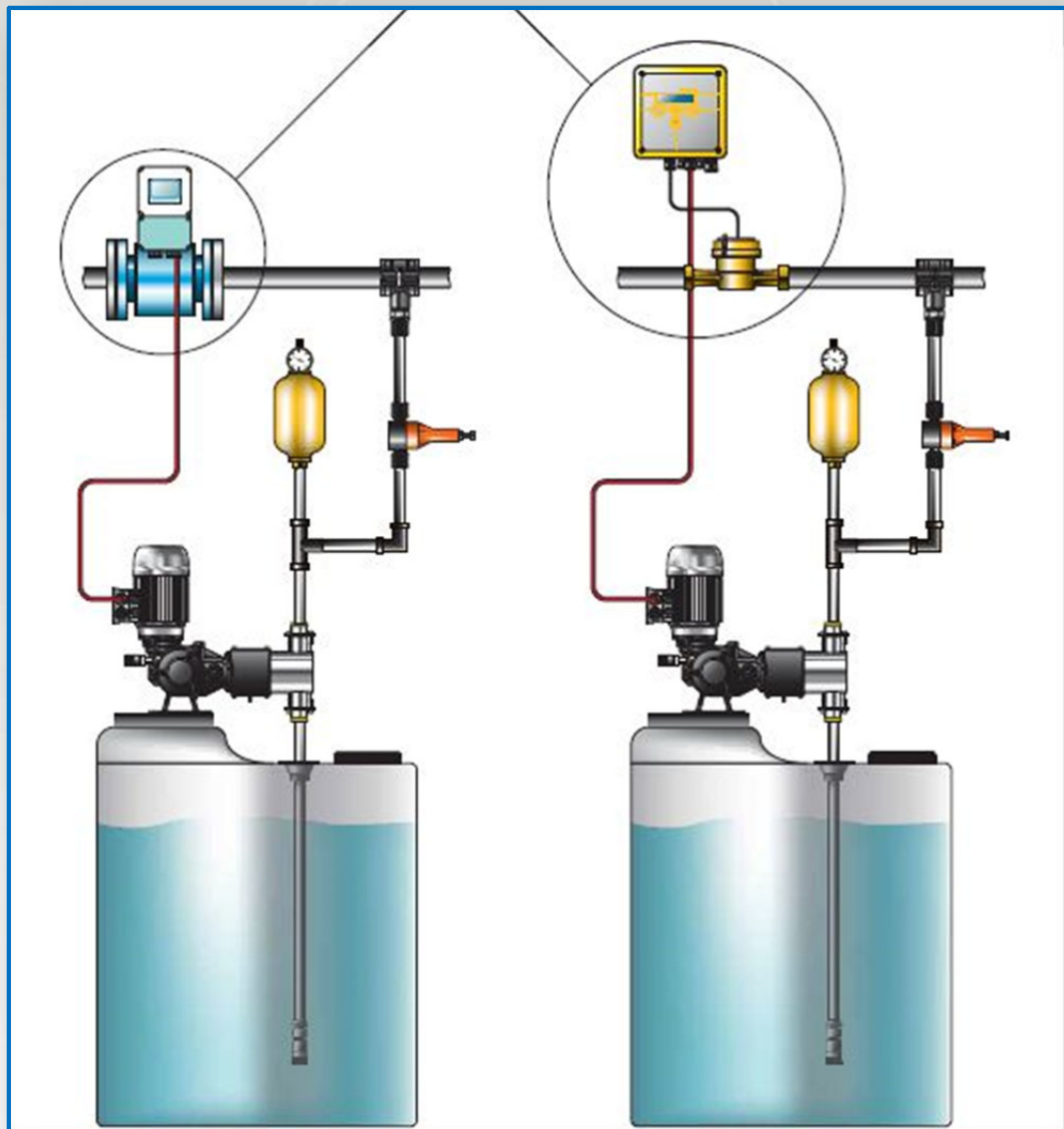
INJECTA
the perfect dosing

Water Treatment



Example of installation

Flow measure through electromagnetic flow rate or signal from pulse emitter water meter and proportional dosing with motor pump with inverter

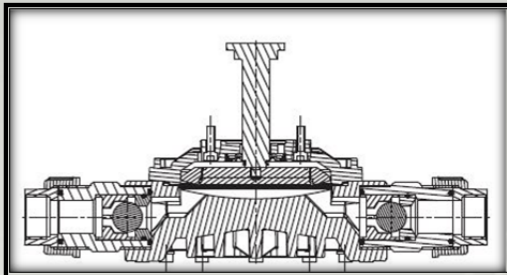


Dosing Pump



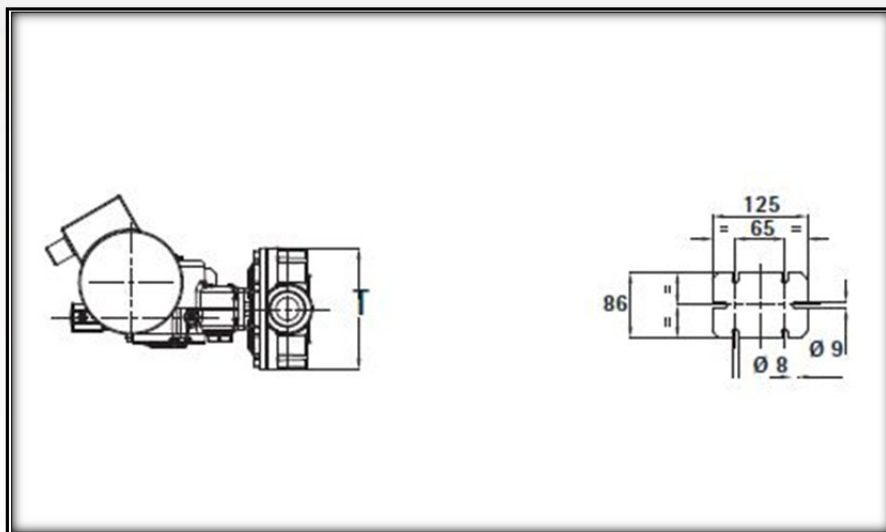
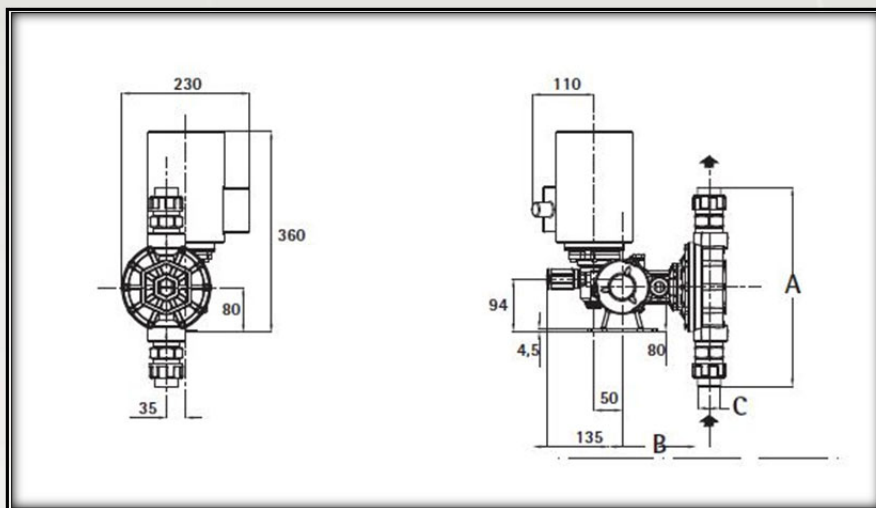
INJECTA
the perfect dosing

Water Treatment



- SS316 , PP, PVDF or PVC pump head
- PTFE Diaphragm

Dimensional drawings



Dosing Pump

Water Treatment



Ø MEMBRANA Ø DIAPHRAGM	SS316				PVC/PP/PVDF			
	A	B	C	T	A	B	C	T
65 mm	208	149	1/4" g.f.	98	150	144	1/4" g.f.	98
94 mm	236	144	3/8" g.f.	117	172	146	3/8" g.f.	120
108 mm	248	144	3/8" g.f.	131	212	146	3/8" g.f.	140
138 mm	347	158	3/4" g.f. - 1" g.f.	160	258	157	3/8" g.f. - 1" g.f.	170
165 mm	377	160	1" g.f.	193	296 M	157	1" g.f.	190

Dosing Pump



INJECTA
the perfect dosing