

Water Treatment



TAURUS

ELECTROMECHANICAL DOSING PUMPS



Main characteristics

- These pumps are plunger piston metering pumps featuring a spring return stroke in an aluminum housing in oil bath
- Each pump is equipped with manual flow adjustment and can be equipped with an electric actuator which accepts a 4÷20 mA or inverter

TP.15 piston version

- STROKE 15 mm
• 1,5 ÷ 304 lt/h max flow rate • 20 bar max pressure • 58-116 strokes/min fixed frequency • 6÷24 mm piston diameters • 0,18/0,25 kW standard IP55 motors

Dosing Pump.it




INJECTA
the perfect dosing

Water Treatment



Taurus – Performance data

PERFORMANCES TEST HAS BEEN DONE AT AMBIENT TEMPERATURE, WITH WATER, AT 1,5 mt SUCTION HEIGHT

MODELS	Ø PISTONS	STROKES/MIN.	FLOW RATES	PRESSURES SS316 / PVC	CONNECTIONS	WEIGHTS SS316 / PVC	MOTOR
TP15006A	6 mm	58	1,5 l/h	20 bar / 10 bar	1/4 " g.f.	9,8 Kg / 8,4 Kg	THREE PHASE 0,18 Kw SINGLE PHASE 0,25 kW
TP15006C	6 mm	116	3,0 l/h	20 bar / 10 bar	1/4 " g.f.	9,8 Kg / 8,4 Kg	
TP15011A	11 mm	58	5,0 l/h	20 bar / 10 bar	1/4 " g.f.	9,8 Kg / 8,4 Kg	
TP15011C	11 mm	116	10,0 l/h	25 bar / 10 bar	1/4 " g.f.	9,8 Kg / 8,4 Kg	
TP15017A	17 mm	58	11,0 l/h	20 bar / 10 bar	3/8" g.f.	9,8 Kg / 8,4 Kg	
TP15017C	17 mm	116	22,0 l/h	25 bar / 10 bar	3/8" g.f.	9,8 Kg / 8,4 Kg	
TP15025A	25 mm	58	25,0 l/h	20 bar / 10 bar	3/8" g.f.	9,8 Kg / 8,4 Kg	
TP15025C	25 mm	116	50,0 l/h	20 bar / 10 bar	3/8" g.f.	9,8 Kg / 8,4 Kg	

MODELS	Ø PISTONS	STROKES/MIN.	FLOW RATES	PRESSURES SS316 / PVC	CONNECTIONS	WEIGHTS SS316 / PVC	MOTOR
TP15030A	30 mm	58	35,0 l/h	20 bar / 10 bar	3/8" g.f.	11,2 Kg / 9,8 Kg	THREE PHASE 0,25 Kw SINGLE PHASE 0,37 kW
TP15030C	30 mm	116	70,0 l/h	20 bar / 10 bar	3/8" g.f.	11,2 Kg / 9,8 Kg	
TP15038A	38 mm	58	55,0 l/h	17 bar / 10 bar	3/8" g.f.	12,8 Kg / 10 Kg	
TP15038C	38 mm	116	110,0 l/h	17 bar / 10 bar	3/8" g.f.	12,8 Kg / 10 Kg	
TP15048A	48 mm	58	85,0 l/h	10 bar / 10 bar	1/2" g.f.	12,8 Kg / 10 Kg	
TP15048C	48 mm	116	170,0 l/h	10 bar / 10 bar	1/2" g.f.	12,8 Kg / 10 Kg	
TP15054A	54 mm	58	110,0 l/h	8 bar / 8 bar	1/2" g.f.	14,6 Kg / 10,3 Kg	
TP15054C	54 mm	116	220,0 l/h	8 bar / 8 bar	1/2" g.f.	14,6 Kg / 10,3 Kg	
TP15064A	64 mm	58	152,0 l/h	6 bar / 4 bar	3/4" g.f.	15,7 Kg / 10,5 Kg	
TP15064C	64 mm	116	304,0 l/h	6 bar / 4 bar	3/4" g.f.	15,7 Kg / 10,5 Kg	

Dosing Pump



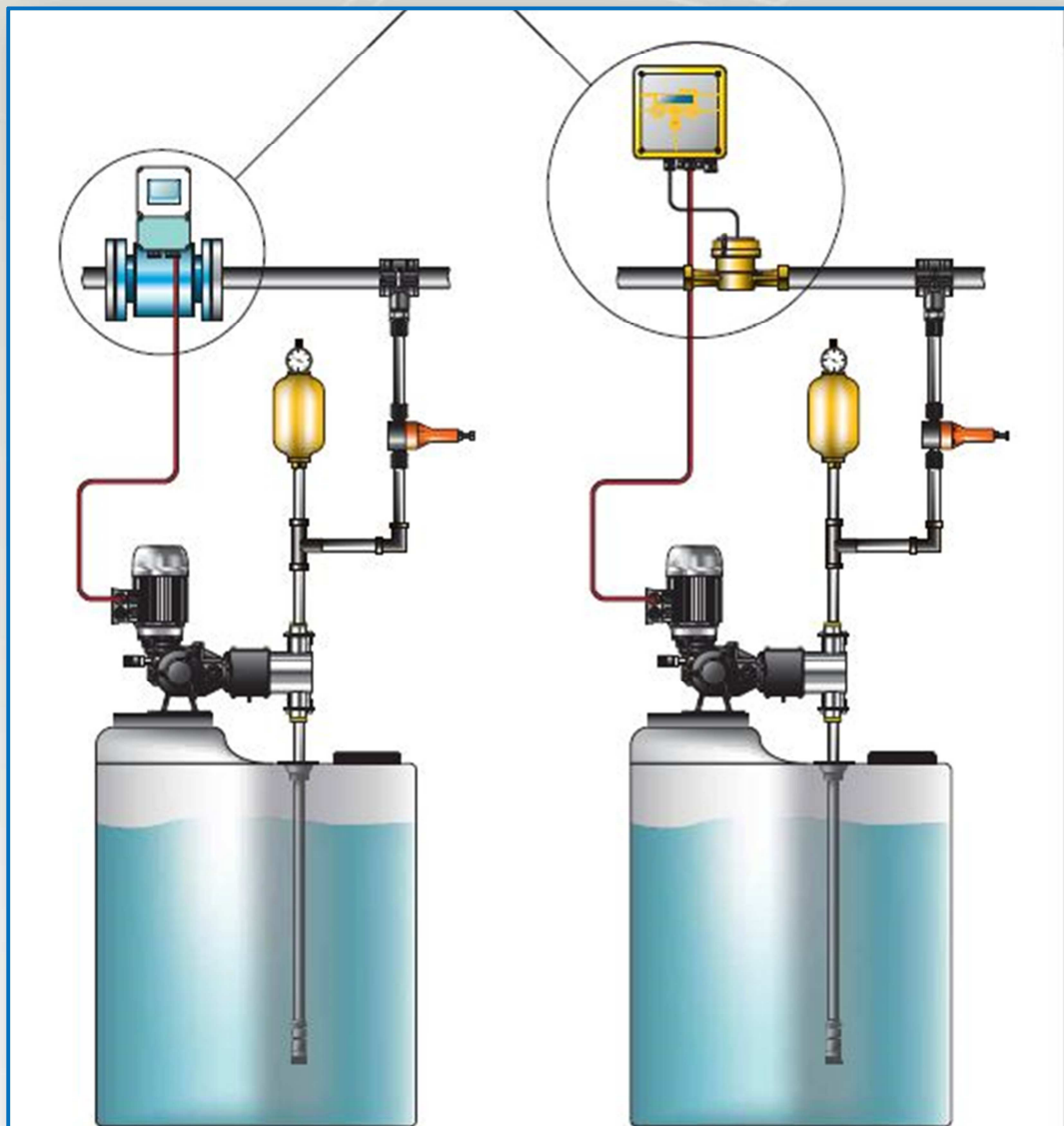
INJECTA
the perfect dosing

Water Treatment



Example of installation

Flow measure through electromagnetic flow rate or signal from pulse emitter water meter and proportional dosing with motor pump with inverter

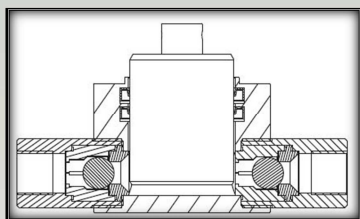


Dosing Pump



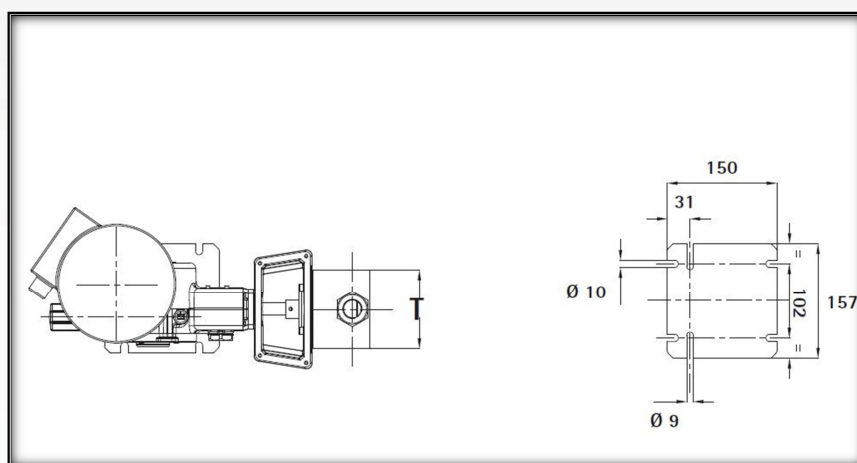
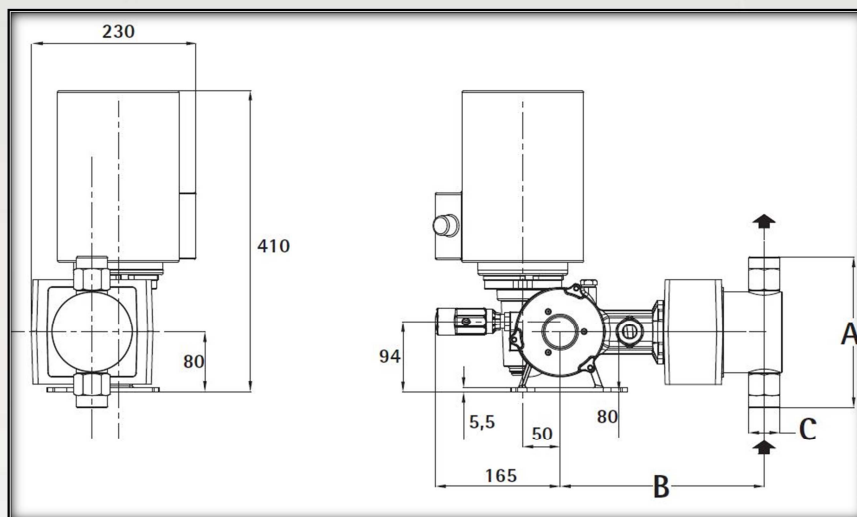
INJECTA
the perfect dosing

Water Treatment



- SS316 or PVC PUMP HEAD
- SS316 or CERAMIC PISTON

Dimensional drawings



Dosing Pump.it

Water Treatment



Ø PISTONI Ø PISTONS	SS316				PVC			
	A	B	C	T	A	B	C	T
6 mm	120	210	1/4 g .f.	68	157	216	1/4 g .f.	80
11 mm	120	210	1/4 g .f.	68	157	216	1/4 g .f.	80
17 mm	120	210	3/8 g .f.	68	147	216	3/8 g .f.	80
25 mm	120	215	3/8 g .f.	68	147	225	3/8 g .f.	80
30 mm	120	215	3/8 g .f.	68	147	225	3/8 g .f.	80
38 mm	160	227	3/8 g .f.	88	168	235	3/8 g .f.	100
48 mm	160	227	1/2 g .f.	88	196	240	1/2 g .f.	100
54 mm	173	229	1/2 g .f.	108	216	240	1/2 g .f.	120
64 mm	202	238	3/4 g .f.	108	222	250	3/4 g .f.	120

Dosing Pump



INJECTA
the perfect dosing