

Water Treatment



TAURUS

ELECTROMECHANICAL DOSING PUMPS



Main characteristics

- These pumps are plunger piston metering pumps featuring a spring return stroke in an alluminium housing in oil bath
- Each pump is equipped with manual flow adjustment and can be equipped with an electric actuator which accepts a 4÷20 mA or inverter

TP.25 piston version

- STROKE 25 mm
 - 40÷1000 lt/h max flow rate • 20 bar max pressure • 58-116 strokes/min fixed frequency
 - 6÷24 piston diameters • 0,25/0,37/0,55/0,75 kW standard IP55 motors

Dosing Pump.it



INJECTA
the perfect dosing

Water Treatment



Taurus – Performance data

PERFORMANCES TEST HAS BEEN DONE AT AMBIENT TEMPERATURE, WITH WATER, AT 1,5 mt SUCTION HEIGHT

MODELS	Ø PISTONS	STROKES/MIN.	FLOW RATES	PRESSURES SS316 / PVC	CONNECTIONS	WEIGHT SS316 / PVC	MOTOR
TP25025A	25 mm	58	40,0 l/h	20 bar / 10 bar	3/8 " g.f.	15,5 Kg / 14,1 Kg	THREE PHASE 0,18 kW
TP25025C	25 mm	116	80,0 l/h	20 bar / 10 bar	3/8 " g.f.	15,5 Kg / 14,1 Kg	
TP25030A	30 mm	58	55,0 l/h	20 bar / 10 bar	3/8 " g.f.	15,5 Kg / 14,1 Kg	SINGLE PHASE 0,25 kW
TP25030C	30 mm	116	112,0 l/h	20 bar / 10 bar	3/8 " g.f.	15,5 Kg / 14,1 Kg	
TP25038A	38 mm	58	90,0 l/h	20 bar / 10 bar	1/2" g.f.	18,4 Kg / 15,6 Kg	THREE PHASE 0,37 kW SINGLE PHASE 0,55 kW
TP25038C	38 mm	116	180,0 l/h	20 bar / 10 bar	1/2" g.f.	18,4 Kg / 15,6 Kg	
TP25048A	48 mm	58	140,0 l/h	20 bar / 10 bar	1/2 " g.f.	18,4 Kg / 15,6 Kg	THREE PHASE 0,55 kW
TP25048C	48 mm	116	284,0 l/h	20 bar / 10 bar	1/2 " g.f.	18,4 Kg / 15,6 Kg	
TP25054A	54 mm	58	180,0 l/h	15 bar / 10 bar	1/2 " g.f.	20,2 Kg / 15,6 Kg	SINGLE PHASE 0,75 kW
TP25054C	54 mm	116	365,0 l/h	15 bar / 10 bar	1/2 " g.f.	20,2 Kg / 15,6 Kg	
TP25064A	64 mm	58	250,0 l/h	10 bar / 10 bar	3/4 " g.f.	21,3 Kg / 16,1 Kg	THREE PHASE 0,75 kW
TP25064C	64 mm	116	505,0 l/h	10 bar / 10 bar	3/4 " g.f.	21,3 Kg / 16,1 Kg	
TP25076A	76 mm	58	365,0 l/h	7 bar / 7 bar	1 " g.f.	28,2 Kg / 18,2 Kg	
TP25076C	76 mm	116	730,0 l/h	7 bar / 7 bar	1 " g.f.	28,2 Kg / 18,2 Kg	
TP25089A	89 mm	58	495,0 l/h	5 bar / 5 bar	1 " g.f.	30,4 Kg / 18,6 Kg	
TP25089C	89 mm	116	1000,0 l/h	5 bar / 5 bar	1 " g.f.	30,4 Kg / 18,6 Kg	

Dosing Pump



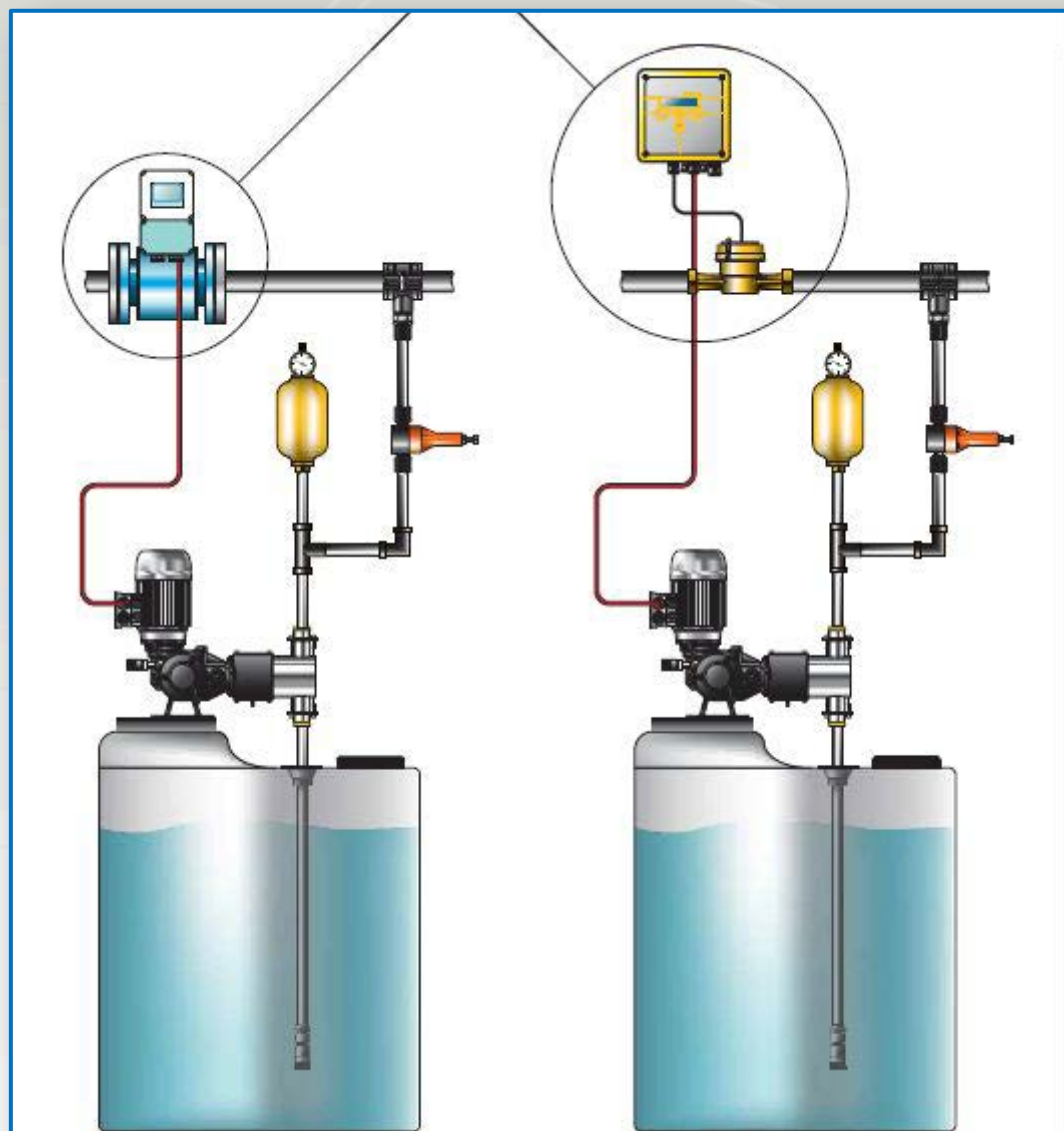
INJECTA
the perfect dosing

Water Treatment



Example of installation

Flow measure through electromagnetic flow rate or signal from pulse emitter water meter and proportional dosing with motor pump with inverter

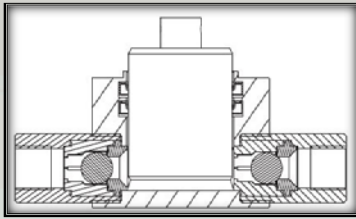


Dosing Pump.it



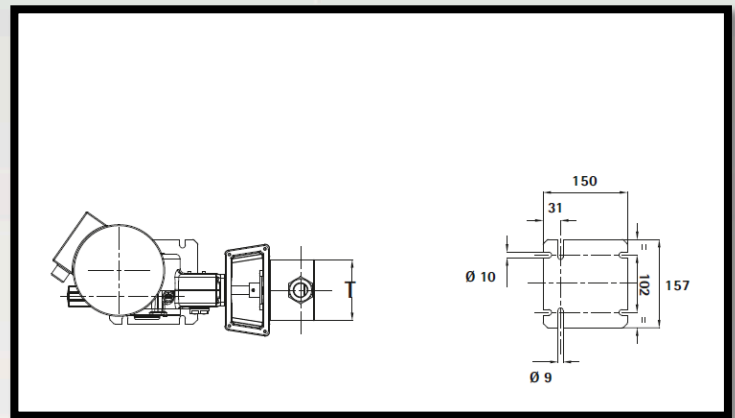
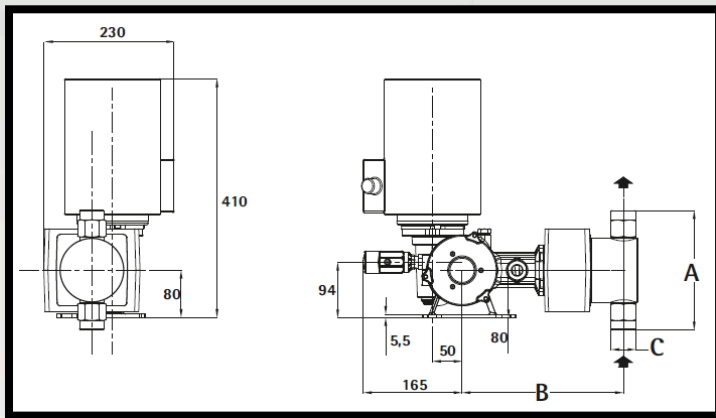
INJECTA
the perfect dosing

Water Treatment



- SS316 or PVC pump head
- SS316 or CERAMIC PISTON

Dimensional drawings



Ø PISTONI Ø PISTONS	SS316				PVC			
	A	B	C	T	A	B	C	T
25 mm	120	258	3/8" g.f.	68	157	258	3/8" g.f.	80
30 mm	120	258	3/8" g.f.	68	157	258	3/8" g.f.	80
38 mm	160	268	1/2" g.f.	88	168	268	3/8" g.f.	100
48 mm	160	268	1/2" g.f.	88	196	268	1/2" g.f.	100
54 mm	173	268	1/2" g.f.	108	216	268	1/2" g.f.	120
64 mm	202	273	3/4" g.f.	108	222	273	3/4" g.f.	120
76 mm	238	288	1" g.f.	138	244	288	1" g.f.	148
89 mm	252	288	1" g.f.	150	256	288	1" g.f.	160

Dosing Pump

