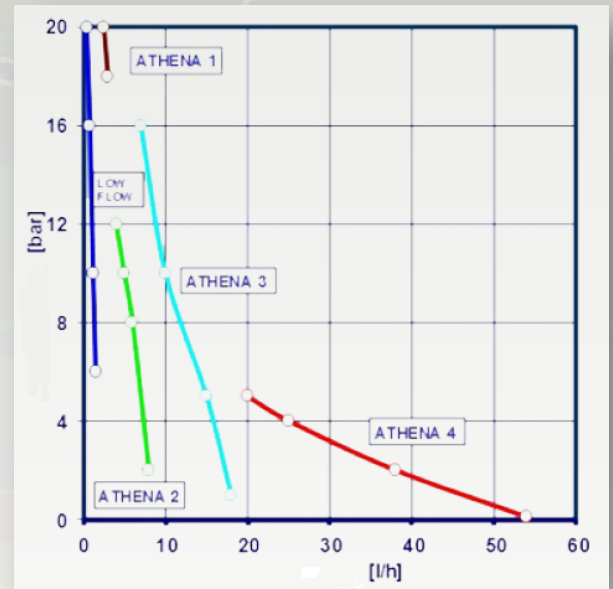


Water Treatment



ATHENA PR

ELECTROMAGNETIC DOSING PUMPS



Main characteristics

- **PVDF PUMP HEAD** suitable for chemical used in the Industrial, Waste Water Treatment and Potable Water applications
- **CERAMIC BALL** full chemical compatibility
- **PTFE DIAPHRAGM** unique life expectancy and compatibility with most chemicals
- **STEADY DOSING** Stabilized Multi Power Supply 100÷240 Vac 50/60 Hz with reduced consumption
- **QUICK CONNECTIONS**
- **MANUAL PRIMING VALVE**
- **IP65 PROTECTION**
- **ADJUSTABLE FLOW RATE** by buttons on the front panel
- **POWER-ON** and **LEVEL ALARMS LED**
- **DIGITAL PROPORTIONAL FLOW WITH pH/Rx INSTRUMENTS**
- **pH 0÷14 - Rx -999÷+999 mV** measuring range
- **Manual / automatic temperature compensation (pH)**
- **4 ÷ 20 mA** output on all the recording scale
- **Manual / automatic calibration with probe efficiency evaluation**

Dosimetro.com



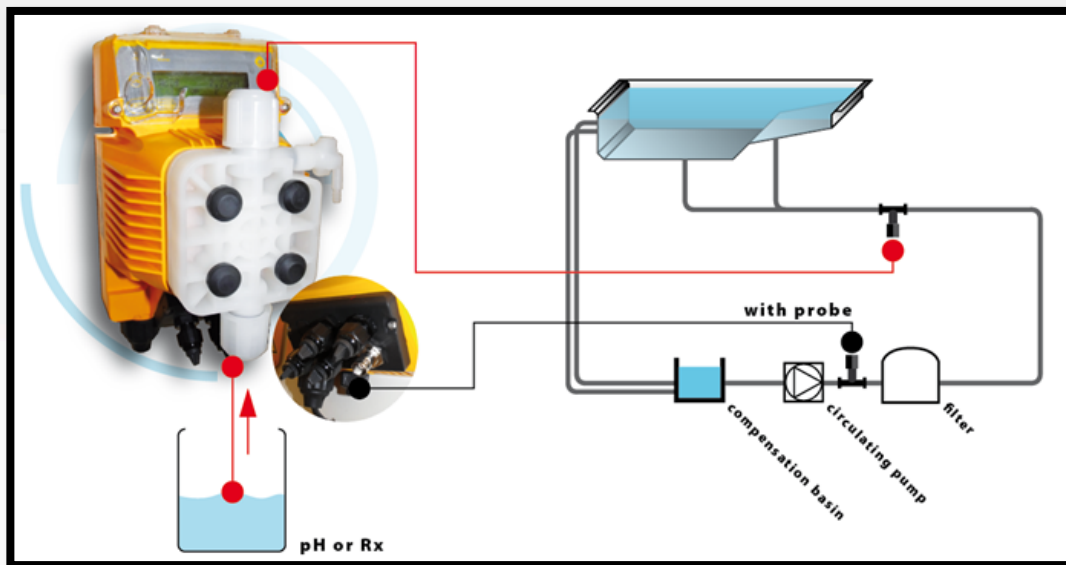
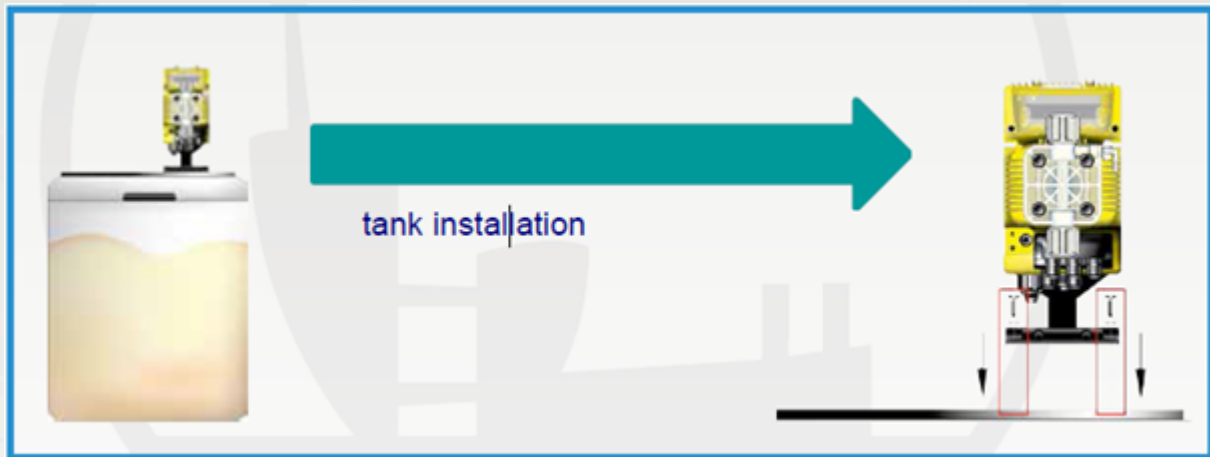
INJECTA
the perfect dosing

Water Treatment

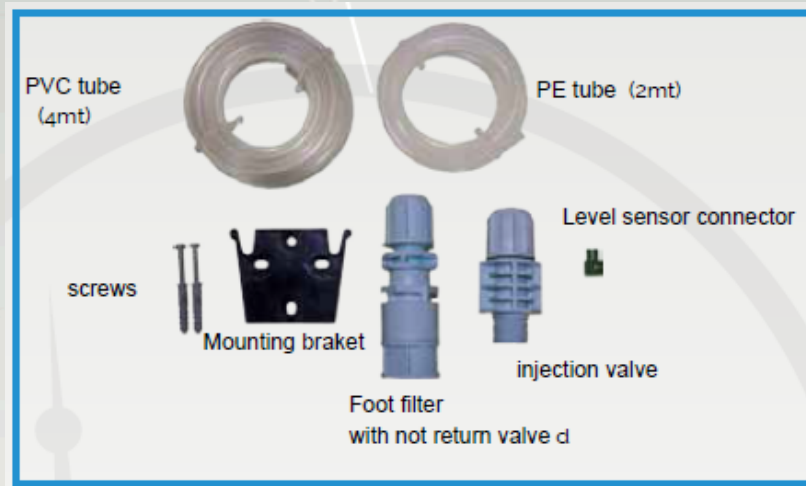
Main application

- Electroplating industry, Pickling, Degreasing and metal treatments generally
- Cooling Tower
- Swimming Pools
- Potable water application
- Reverse osmosis application
- Paper industry
- Ceramic industry

Example of installation



Water Treatment Installation kit



Accessories



AC.VM

- valvola multifunzione, antisifone, contropressione, sicurezza, 5/10/18 bar
- multifunction valve, antisiphon, backpressure, safety, 5/10/18 bar

CONNESSIONI CONNECTIONS	CORPO BODY	TENUTE SEALS
4x6/8x12	PP	PTFE



AC.VIE

- valvola iniezione estraibile con intercettatore
- Extractable injection valve with ball valve

CONNESSIONI CONNECTIONS	CORPO BODY	TENUTE SEALS
1/2" g.m. IN/OUT	PVC	FPM EPDM



AC.VSA

- corpo pompa con autospurgo, riduzione della portata in funzione della quantità di gas presente
- automatic air bleed valve, flow reduction, according to the quality of air in the liquid

CONNESSIONI CONNECTIONS	CORPO BODY	TENUTE SEALS
4x6/8x12	PVC	FPM EPDM



AC.VS

- valvola di contropressione, membrana PTFE, 500 lt/h, 0,5÷10 bar
- back-pressure valve, PTFE diaphragm, 500 lt/h, 0,5÷10 bar

CONNESSIONI CONNECTIONS	CORPO BODY	TENUTE SEALS
4x6/8x12	PVC PVDF	FPM EPDM

Dosing pump

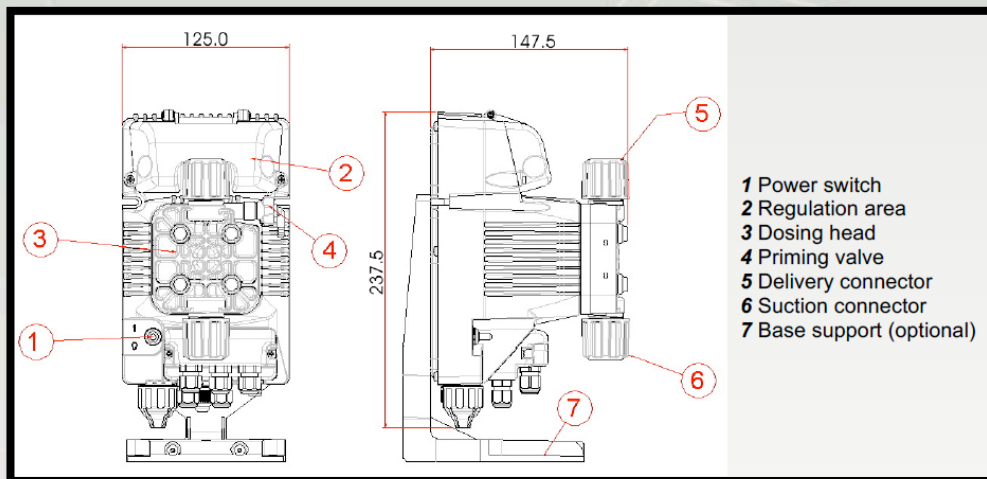


INJECTA
the perfect dosing

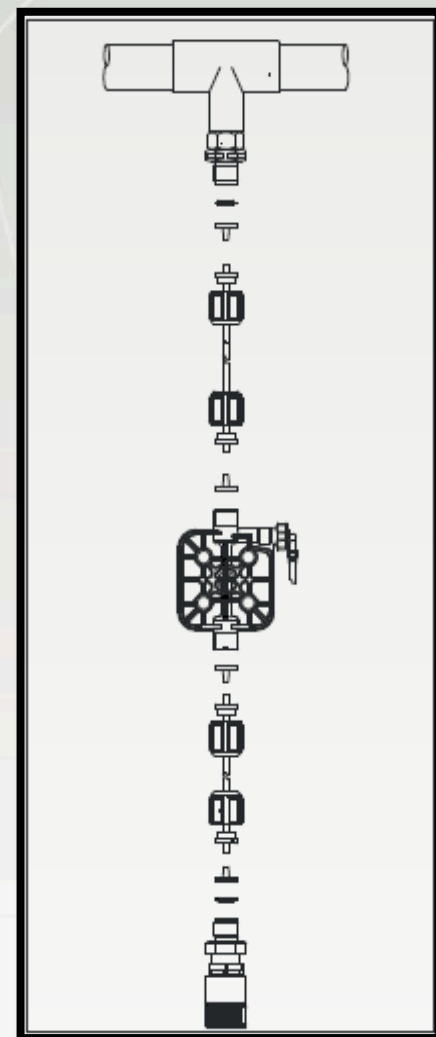
Water Treatment



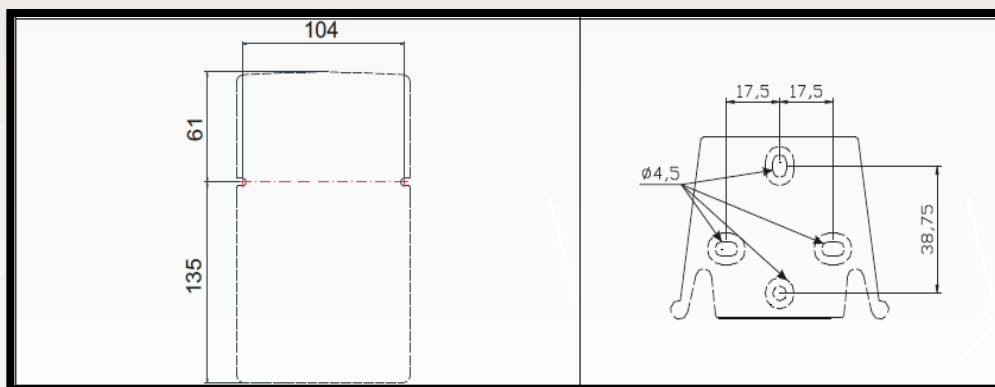
Dimensional



Plumbing



Fixing templates



Dosingsump.ir

