

Water Treatment



NEXUS 2000

INSTRUMENTS FOR PROCESS ANALYSIS



Main characteristics

- **Graphic display and Keypad**
2-line, 16 character Alphanumeric Display.
Four control keys for instrument calibration and configuration.
- **Enclosure Box and Power Supply**
Four (4) mechanical box:
Wall mounting PP (IP65)
Panel mounting: 96x96 IP65 Front panel; 48x96 IP40; Din-Rail (6 module) IP40
Universal Power Supply 100÷240 Vac 50/60 Hz and 24Vac/dc
- **Measure Input**
High measuring resolution with probe quality control. A modular measuring system
Chlorine measure in sea water application.
- **Current outputs 4÷20mA Galvanic isolation**
One independent programmable Output Measures
- **Relay Outputs**
Two (2) independent function, two Set point Measure, dry contact. Software-set alarm functions. Routine function settings : ON/OFF, Timed or proportional
- **Digital Input**
Dedicated and level input to disable all controller output functions.

Water Treatment



Applications

- Waste water
- Drinking water
- Cooling towers
- Boilers
- Reverse osmosis
- Galvanic process
- Irrigation
- Swimming pool

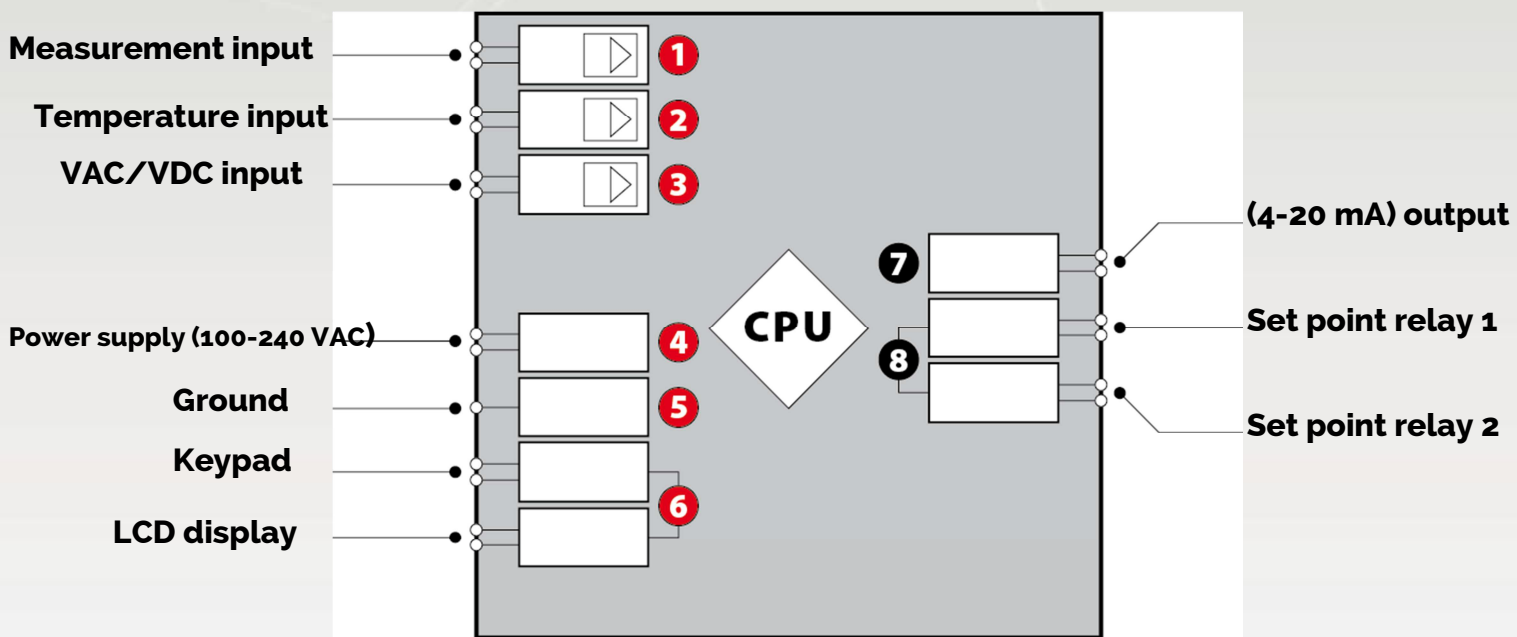
Measure range

MEASURES	RANGE	POWER SUPPLY
Ph	0 ÷ 14	100÷240 Vac 50 Hz/60 Hz
ORP	± 1500 mV	100÷240 Vac 50 Hz/60 Hz
CD	0 ÷ 200.000 µS	100÷240 Vac 50 Hz/60 Hz
FLOW	99999,99 liters/second	100÷240 Vac 50 Hz/60 Hz
Chlorine and Chlo. dioxide	0÷0,50/1,00/2,00/5,00/10,0/20,0/200,0ppm	100÷240 Vac 50 Hz/60 Hz

Water Treatment



Interface

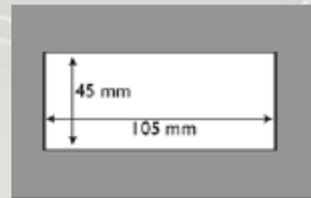
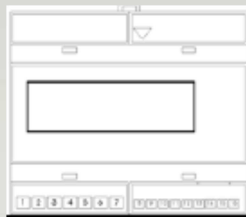


Water Treatment

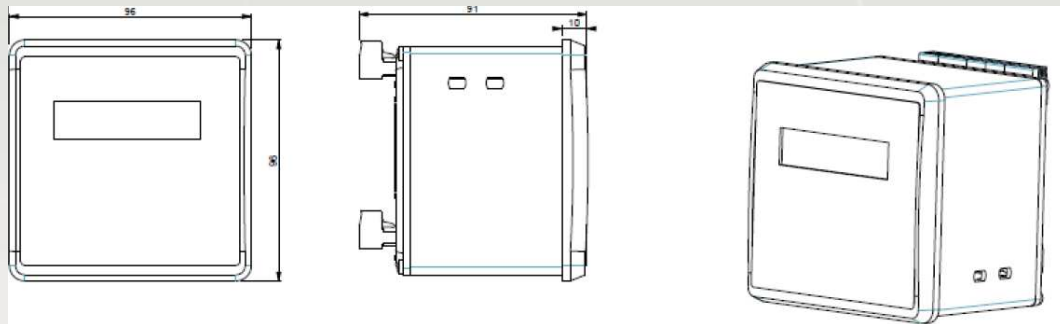


DIMENSIONS

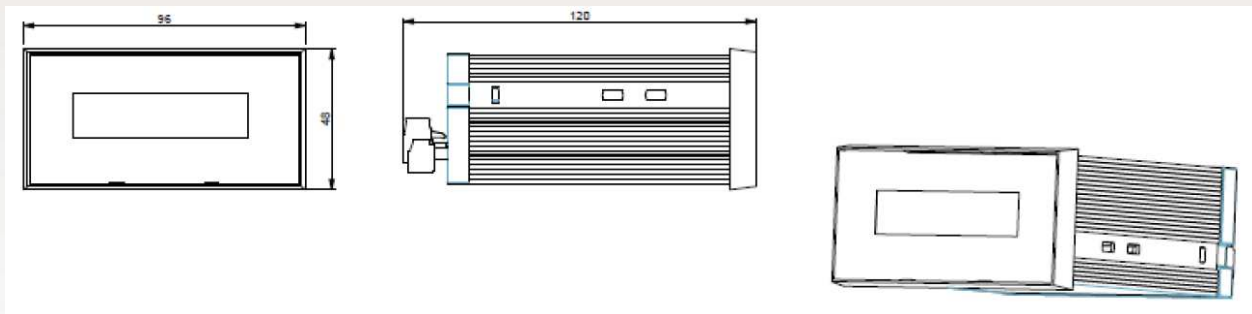
Din rail IP40



96x96 IP65panel



48x96 panel version



Wall mounting IP65

