



2022

NEXUS 3000

Control instruments
for industrial applications

MahaTan

SINGLE PARAMETER VISUALIZATION

The large display enables viewing all the operational parameters. Nexus 3000 can manage one of the following parameters: pH, Rx, Conductivity, Amperometric chlorine, mA input for potentiostatic probes, and flow rate. The following two versions are available:

- Wall mounting: 144 x 144 mm. (IP65 protection degree)
- Panel mounting: 96 x 96 mm. (IP65 protection degree for front section and IP20 for rear section)

PROBE WASHING

Possibility to set the Relay2 output to activate the washing function, based on the three different phases: *probe washing*, *delay time for measure stability* and *activation interval*. The probe washing process can also be set in automatic mode.

GUIDED CALIBRATION

This procedure allows to monitor all the phases and guarantee the best probes quality for an optimal measure alignment.

ON-OFF / TIMED / PROPORTIONAL RELAY ACTIVATION

The Relay output can be set in three different modes: On-Off, timed and proportional activation, for a right compromise in the management of the chemical parameters during the process.

ANALOGUE AND DIGITAL OUTPUTS

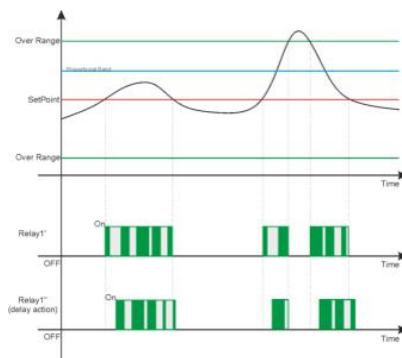
Nexus 3000 is equipped with 2 relays, controlling the set point and the probe washing, temperature measurement, alarms control, a 4/20 mA analogue output and a frequency output. When setting the instrument, the installer can choose the most suitable configuration for the equipment.

TEMPERATURE COMPENSATION

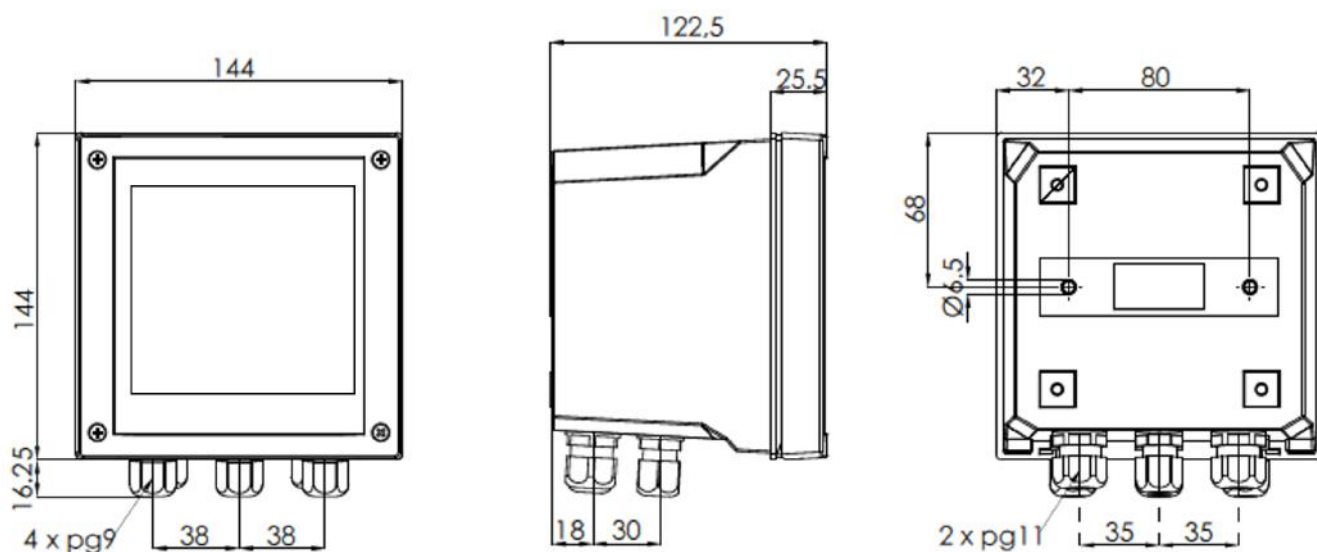
Thanks to a temperature probe it is possible to visualize the current value and make a temperature compensation of the measured parameter within the envisaged values.

EVENTS AND ALARMS

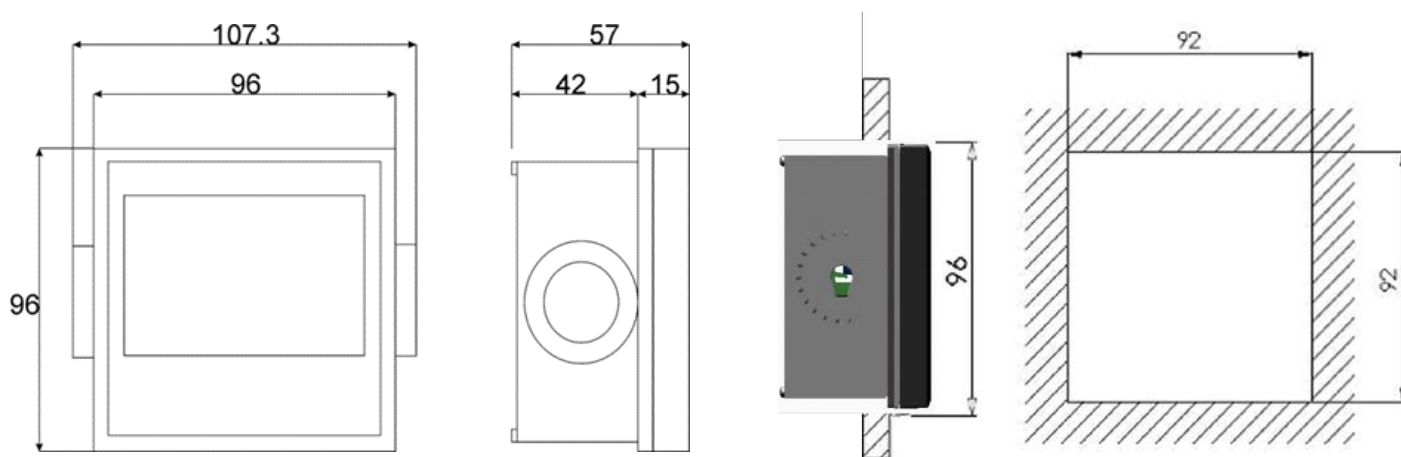
The display enables viewing the chronology of the events registered by the instrument. The alarms list can be reset at any time.



DIMENSIONS



WALL MOUNTING VERSION (144 x 144 x 122,5 mm.)



PANEL MOUNTING VERSION (96 x 96 x 42 mm.)



via Maestri del Lavoro, 1A - 02100 Rieti, ITALY
tel. +39 0746 221438 r.a.
fax. +39 0746 229070
e-mail: info@injecta.com



MaharFan