

Water Treatment



NEXUS 4000

INSTRUMENTS FOR PROCESS ANALYSIS



Main characteristics

- SERIES NEXUS.4000 DEVELOPED BY SECTOR WATER TREATMENT AND INDUSTRY ALLOWS THE MEASUREMENT OF THE FOLLOWING PARAMETERS: pH / ORP, CONDUCTIVITY, TURBIDITY, CHLORINE, CHLORINE DIOXIDE, OZONE
- Removable electrical connections
- Position the numbered connectors
- Plastic box ABS
- Multi-function keyboard
- Wall mounting, IP66, size (H x W x D) 144 x 144 x 120 mm
- Panel Mount, IP66, size (H x W x D) 96 x 96 x 133 mm
- Temperature Measurement: 0-100 ° C (accuracy 1% of maximum range) with PT100 probe
- Current output (but): 0 / 4-20 - 20-4 / 0 but ($\pm 1\%$) galvanically isolated
- Digital Output voltage: (vdc / vac), stand-by
- Set point: 2 independent through dry contact relays 250v 10a (resistive load)
- Multi-language menu
- Password
- Digital calibration: with the probe for measuring quality
- Signal Relay and Alarm
- Dosage and time-proportional on / off
- Serial port RS485
- Relay alarm and wash relays

Dosing Pump



INJECTA
the perfect dosing

Water Treatment



Measuring Range

Ph: 0 ÷ 14,00

ORP: ± 1500 mV

Conductivity: 0 ÷ 200.000 µS

Inductive Conductivity: 0 ÷ 999.999 µS

Dissolved Oxygen: 0 ÷ 20 ppm o 0 ÷ 200 % SAT

Chlorine or Chlorine Dioxide: 0 ÷ 200 ppm

Hydrogen Peroxide: 0 ÷ 100.000 ppm

Ozone: 0 ÷ 10.00 ppm

Peracetic Acid: 0 ÷ 20.000 ppm

Turbidity: 0,00 ÷ 40 NTU/FTU

Temperature: with PT100/PT1000 ÷ 100°C (32 ÷ 212 °F)

Parameters

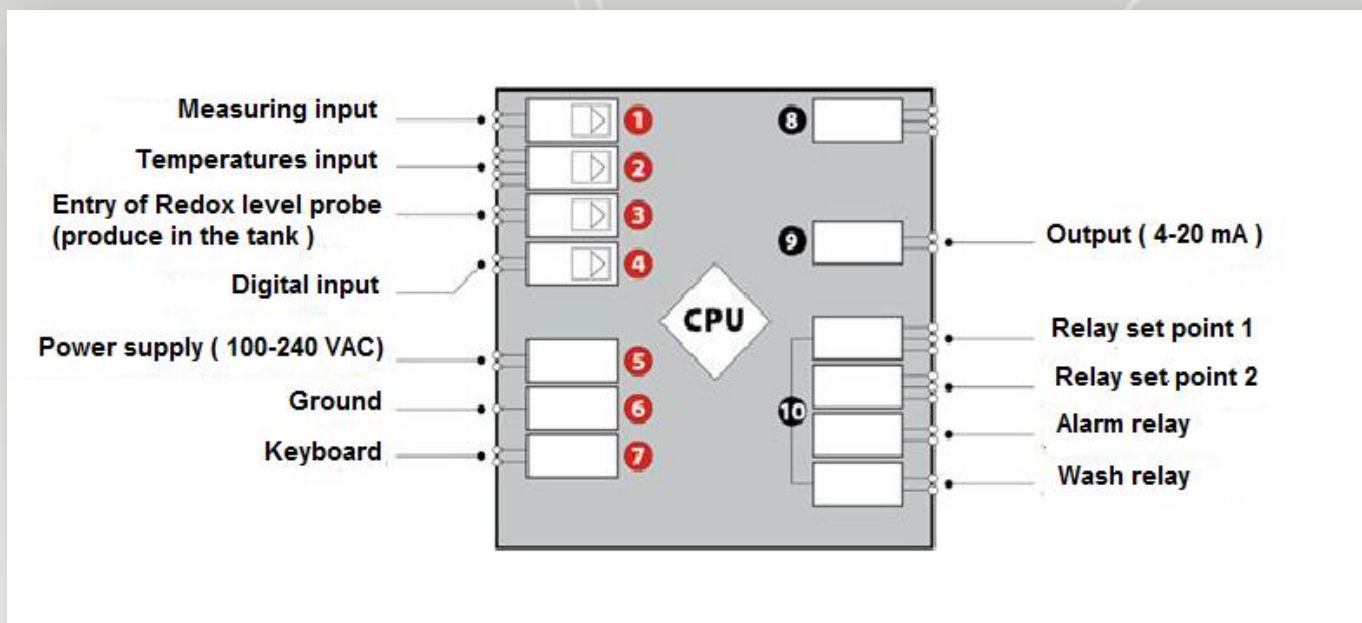
MEASURES	RANGE	ACCURACY	POWER SUPPLY
Ph	0 ÷ 14	±1% f.s.	100÷240 Vac 50 Hz/ 60 Hz
ORP	± 1500 mV	±1% f.s	100÷240 Vac 50 Hz/ 60 Hz
CD	0 ÷ 200.000 µS	±1% f.s	100÷240 Vac 50 Hz/ 60 Hz
CL	0 ÷ 200 ppm	±1% f.s	100÷240 Vac 50 Hz/ 60 Hz
OX	0 ÷ 20 ppm	±1% f.s	100÷240 Vac 50 Hz/ 60 Hz
TB	0,00 ÷ 40 NTU/FTU	±1% f.s	100÷240 Vac 50 Hz/ 60 Hz

Dosing Pump.ir



Water Treatment

Interface



Dosing Pump