

Water Treatment



NEXUS 5000

INSTRUMENTS FOR PROCESS ANALYSIS



Main characteristics

- Removable Electrical connections
- Positions of the numbered connections
- Plastic box ABS
- Universal power supply $100 \div 240$ Vac 50/60 Hz
- Low Power $12 \div 32$ Vdc or 24 Vac
- CE Conformity
- Output configuration:
All relay outputs, output frequency and mA output can be configured with primary and second measurement.
- PID regulation
- Wall mounting, IP65, size (H x W x D) 144 x 144 x 120 mm
- Panel mounting, IP65 frontal Box and IP40 Rear box, size (H x W x D) 96 x 96 x 133 mm
- MODBUS optional

Dosimetry



INJECTA
the perfect dosing

Water Treatment



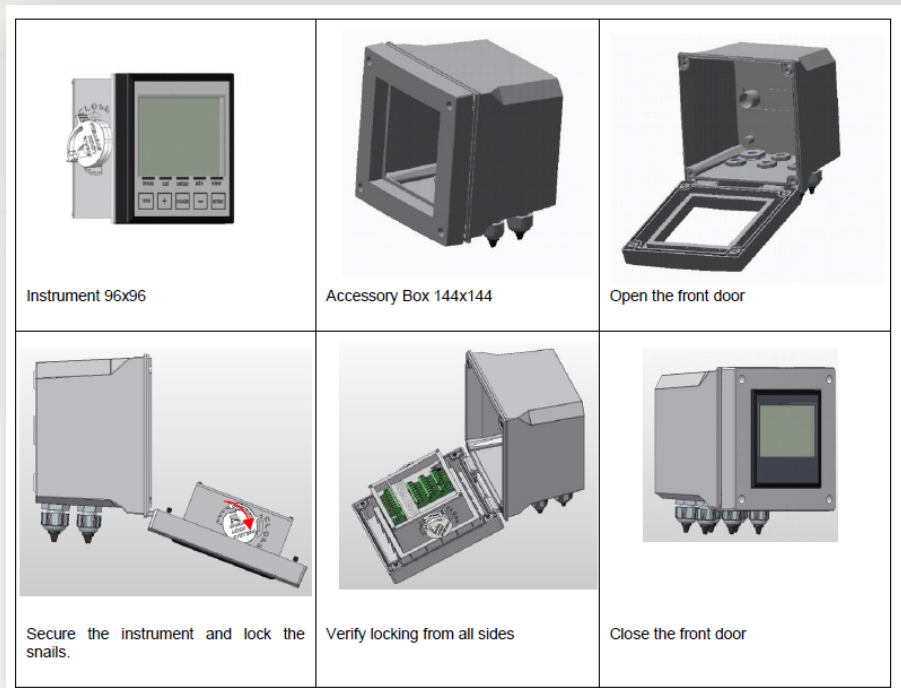
Measuring Range

Ph: $0 \div 14$
ORP: ± 2000 mV
Conductivity: $0,005 \div 400.000$ μ S
Flow rates: $0,0000 \div 99,999$ l/sec
Input 4-20 mA: $0 \div 99,999$ ppm
Temperature: $50-150$ °C ($58-302$ °F $\pm 0,4$ °F)

Parameters

Measure	Range	Accuracy
Ph	$0 \div 14$	$\pm 0,01$ pH
ORP	± 2000 mV	± 1 mV
Conductivity/TDS	$0,054 \div 200.000$ μ S	± 2 %
Flow rates	$0,0000 \div 99,999$ l/sec.	$\pm 0,5$ Hz
Input 4-20 mA	$0 \div 99,999$ ppm	$\pm 0,01$ ppm
Temperature	$50-150$ °C ($58-302$ °F $\pm 0,4$ °F)	$\pm 0,2$ °C

IP65 box (as accessory for the panel mounting version)



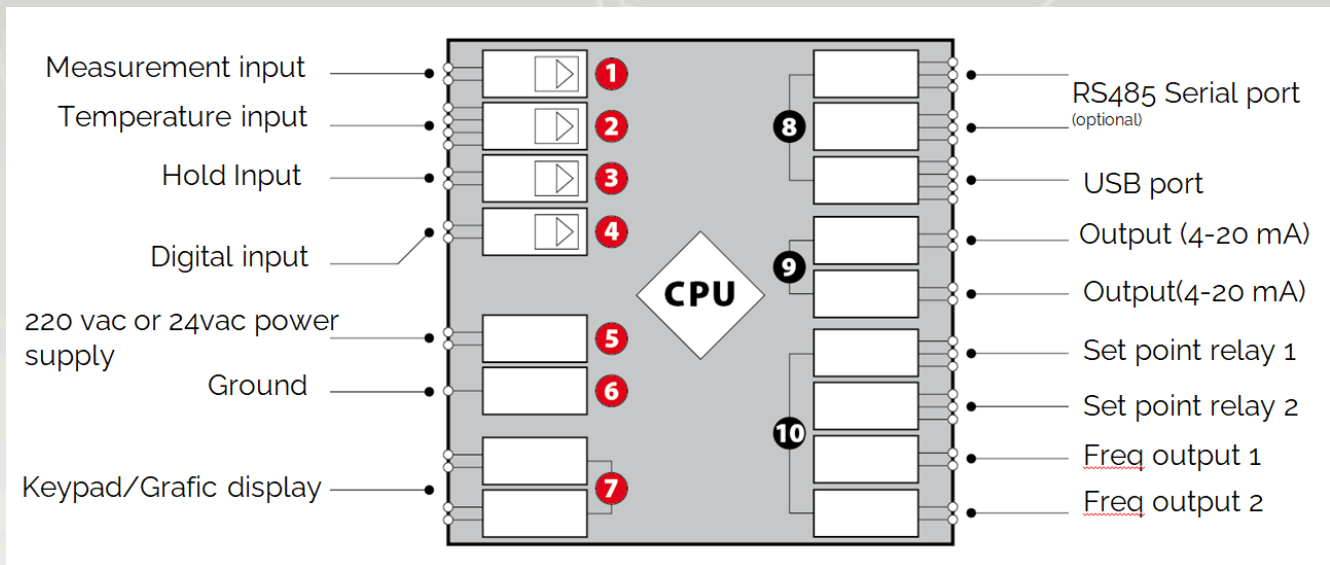
Dosing Pump.ir



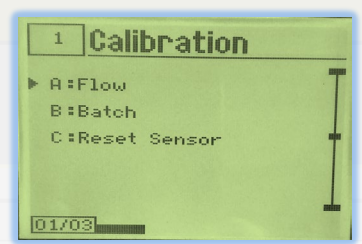
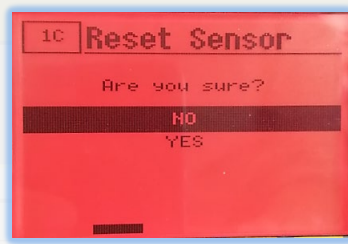
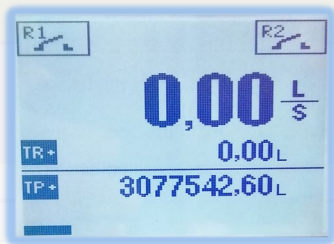
Water Treatment



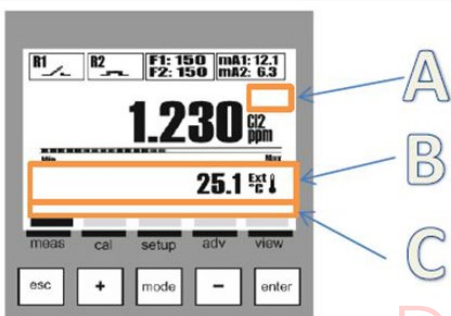
Interface



Display



Four different backlight colors to emphasize the different functions.



- In the standard view of the tools we have three areas, as follows:
- Service Icons: danger, maintenance, waiting time, transmission of data.
 - Text message for alarms and operating information or temperature measured by an external sensor or entered manually
 - Name of the menu associated with the icon on the status bar

Dosing Pump.ir

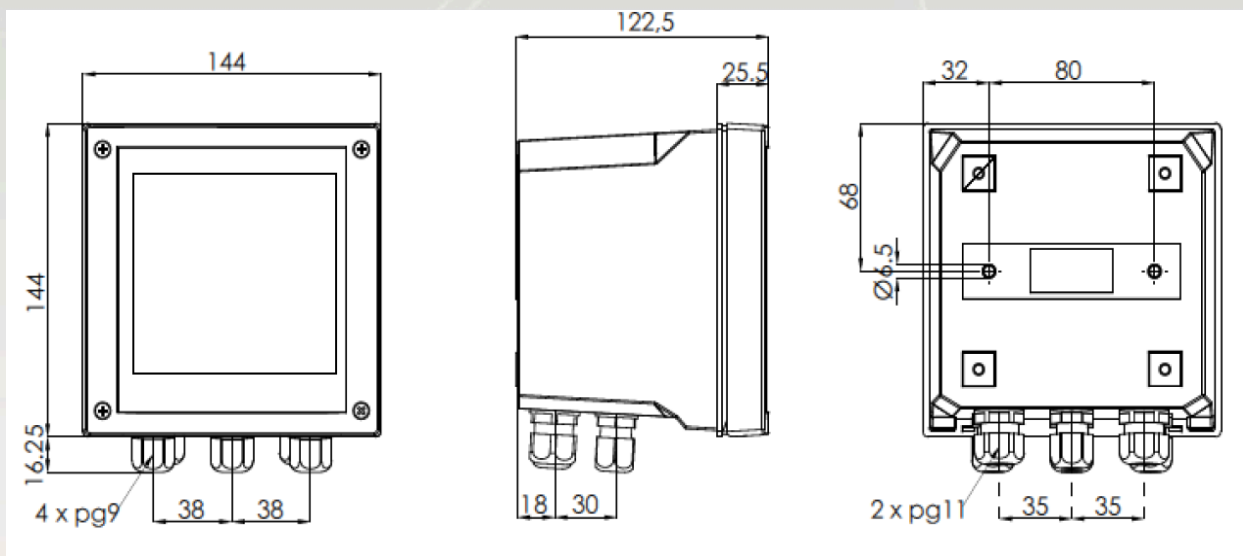


Water Treatment

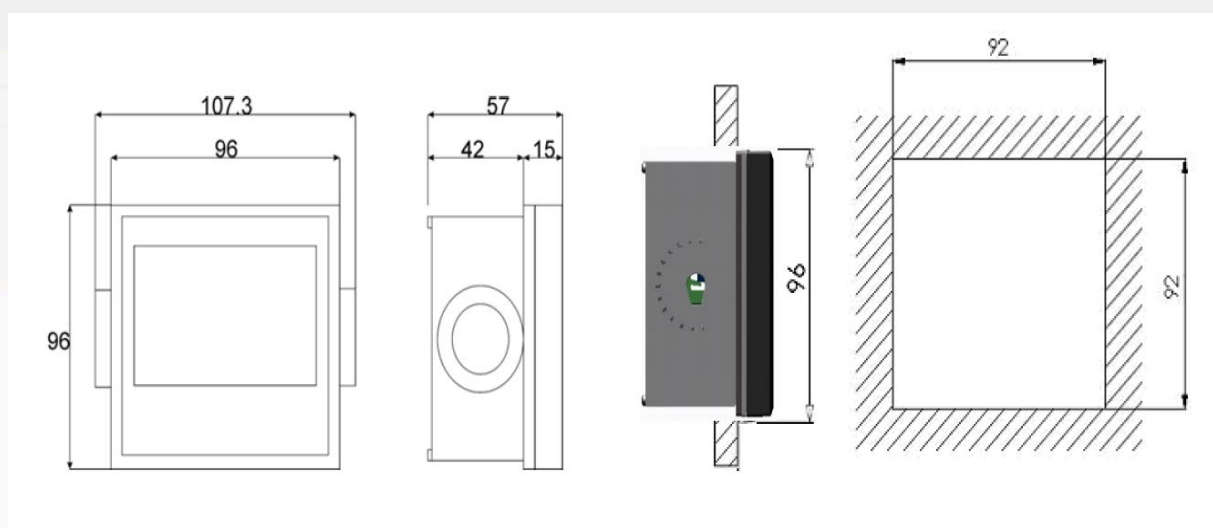


Dimensional drawing

- Wall mounting size (144x144x122,5 mm)



- Panel mounting size (96x96x42 mm)



Dosing Pump.ir