

Water Treatment



NEXUS 6000

INDUSTRIAL INSTRUMENTS



Main characteristics

- Removable Electrical
- Positions of the numbered connections
- Plastic wrap ABS
- USB port for saving data (optional)
- 2 analog outputs 1 programmable output for the measurement, 2 programmable output for the measurement / PID temperature / adjustment, the output limits are freely programmable within the measuring range
- 4 digital outputs set point ON / OFF: programming of the operating range (hysteresis / direction) and start / stop time 000 ÷ 999 seconds
- Adjusting pid frequency or PWM pulse (2 sets point)
- Programmable alarm for: instrument faults, minimum, maximum, ritaro set point, residence time (live check)
- Dry electrodes interval programming (minimum 15 min.) And duration, duration of washing, all analog and digital outputs are frozen
- Measuring temperature: 0-100 ° C (1% accuracy-maximum flow rate) with PT1000 sensor

Dosimetry



INJECTA
the perfect dosing

Water Treatment



- Output current (mA): 0 / 4-20 - 20-4 / 0 mA ($\pm 1\%$), with galvanic isolation
- Digital output: (VDC / VAC) or "barrel" sensor in stand-by mode
- Two independent set points: 250V 10A through the relay clean contact (resistive load)
- Multi-language menu
- PASSWORD
- Digital calibration: including the probe was quality control
- Signal relay and alarm relay
- on / off time and proportional dosing
- RS485 SERIAL PORT: Modbus RTU communication protocol
- Automatic washing
- Data storage and graphic display of measured values
- USB PORT: for download of stored data (optional)

Measuring Range

Ph: 0÷14

ORP: ± 1500

Conductivity: 0÷200.000 μS

Inductive Conductivity: 0÷999.999 μS

Dissolved Oxygen: 0÷20 ppm 0 mg/L - 0÷200 % SAT

Chlorine : 0÷200 ppm

Hydrogen Peroxide: 0÷100.00 ppm

Ozone : 10 ppm

Peracetic Acid: 0÷20.000 ppm

Turbidity: 0÷100 NTU/FTU

Suspended Solids Turbidity: 0÷4.000 NTU/FTU 0÷30 gr/L

Temperature : PT 100/PT1000 0÷100°C (32÷212 °F)

Parameters

MISURE	RANGE	ACCURATEZZA	ALIMENTAZIONE
Ph	0 ÷ 14	± 1 f.s.	100÷240 Vac 50/60 Hz
ORP	± 1500 mV	± 1 f.s.	100÷240 Vac 50/60 Hz
Conductivity	1 ÷ 200.000 μS	± 1 f.s.	100÷240 Vac 50/60 Hz
Cl	0 ÷ 200 ppm	± 1 f.s.	100÷240 Vac 50/60 Hz
OX	0 ÷ 20 ppm	± 1 f.s.	100÷240 Vac 50/60 Hz
TB	0 ÷ 100 NTU/FTU	± 1 f.s.	100÷240 Vac 50/60 Hz

Dosimump.ir

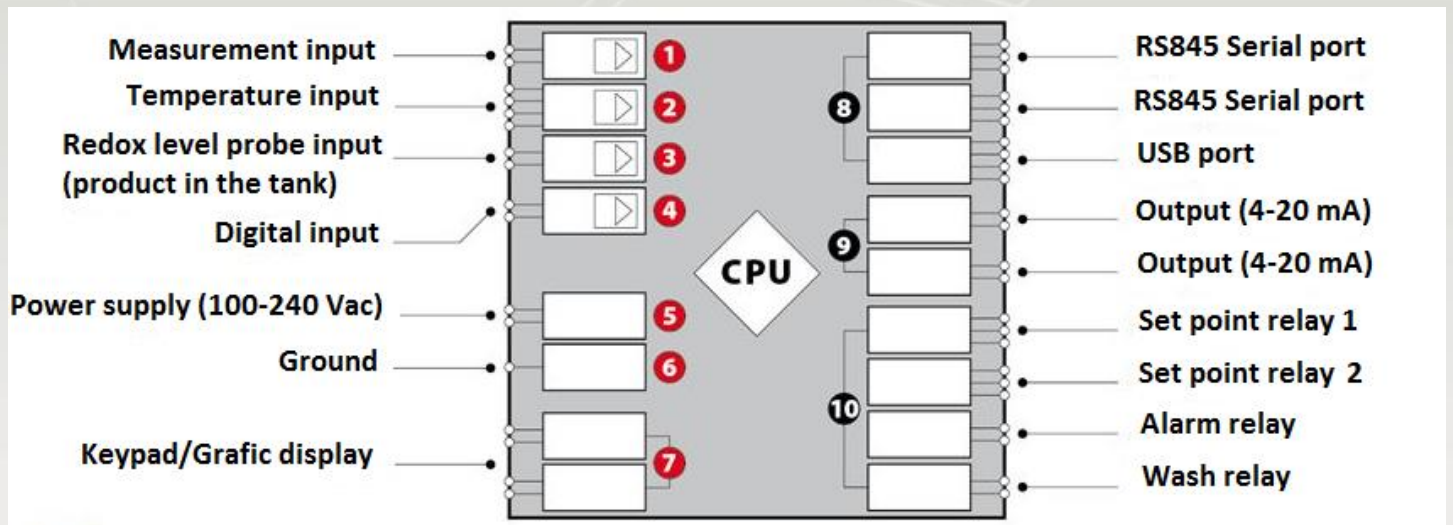


INJECTA
the perfect dosing

Water Treatment



Interface



Dosing Pump.ir



INJECTA
the perfect dosing