

# SOLENOID PUMP ME1-CA

Data  
Sheet

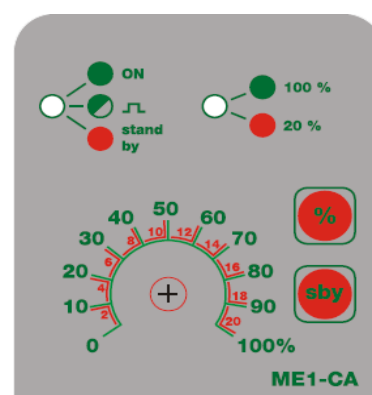
## DESCRIPTION

- ✓ Analogic solenoid pump with constant flow rate
- ✓ Frequency adjustable via potentiometer
- ✓ **0-20%** and **0-100%** pulses setting with a single button (%)
- ✓ Easy to install and minimum maintenance required
- ✓ **ON / OFF** function
- ✓ Reinforced PP body
- ✓ Polycarbonate front panel
- ✓ Pump head with Manual bleed
- ✓ IP 54 Protection Degree
- ✓ Standard Power Supply 230 Vac
- ✓ 100% Made in Italy
- ✓ CE approved



## OPTIONAL

- ✓ PVDF pump head with PTFE seals (suitable to dose High Concentration Sodium Hypochlorite, or strong Oxidizing agents)
- ✓ SCHUKO plug
- ✓ ON / OFF switch



DESCRIPTION		
	Standard Material	Upon request
<b>Standard Version</b>		
Pump Head	PP 1/2" fitting	PVDF 1/2" fitting
Balls	Pyrex	Ceramica, PTFE, AISI 316
Diaphragm	PTFE	-----
Fittings	PP	PVDF
Seals	Viton®	EPDM
Valve Body	PP 4 x 6	PVDF 4 x 6
Foot Filter	PP 4 x 6 lip valve	PVDF 4 x 6 ball valve
Injection Valve	PP 4 x 6 ball valve	PVDF 4x6 ball valve
Suction Tube	PVC 4 x 6	PVDF
Delivery Tube	PE 4 x 6	PVDF

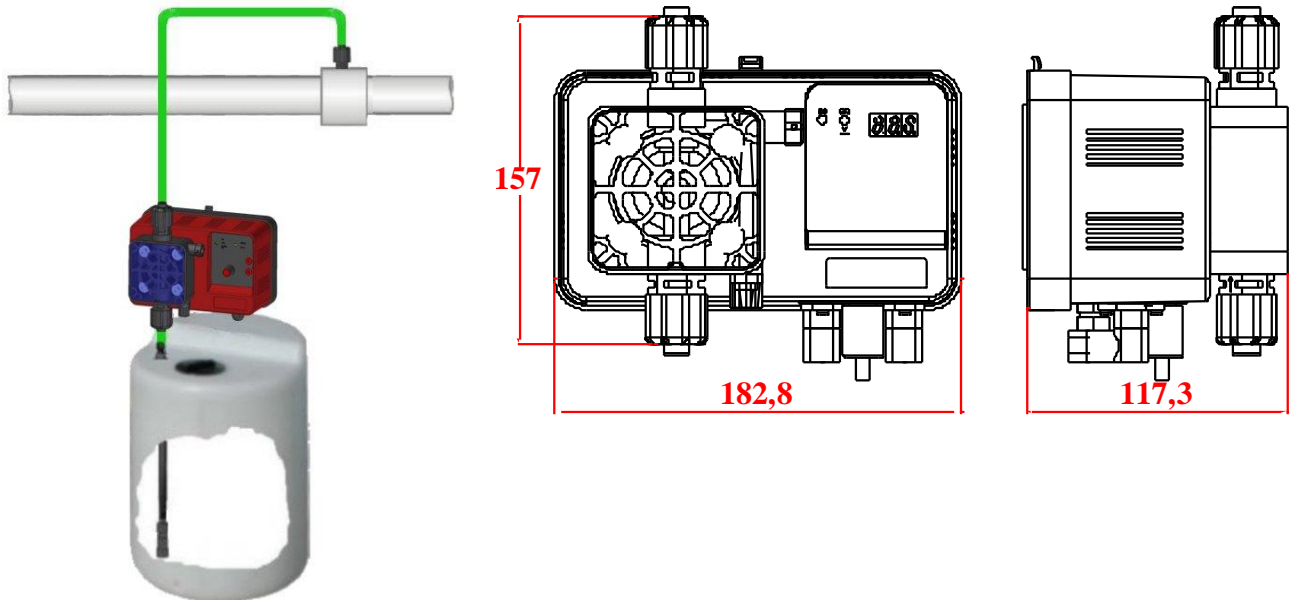
DosingPump.ir

# SOLENOID PUMP ME1-CA

Data  
Sheet

## TECHNICAL SPECIFICATIONS

Standard	Max l/h	Pressure		Max cc / imp	Stroke	Solenoid	Pump Head	Power [Watt]	Pulses	Weight	
		Bar	PSI							kg.	Lbs
02-12	02	12	174	0,22	0,9	Ø 80	PP	50	160	3,5	6,7
03-11	03	11	160	0,31	0,9	Ø 80	PP	50	160	3,5	6,7
05-09	05	09	131	0,52	0,9	Ø 80	PP	50	160	3,5	6,7
06-08	06	08	116	0,62	1,1	Ø 80	PP	50	160	3,5	6,7
08-05	08	05	72,5	0,83	1,1	Ø 80	PP	50	160	3,5	6,7
10-04	10	04	58	1,04	1,3	Ø 80	PP	50	160	3,5	6,7
15-02	15	02	29	1,56	1,3	Ø 80	PP	50	160	3,5	6,7
17-01	17	01	14,5	1,77	1,3	Ø 80	PP	50	160	3,5	6,7



## STANDARD KIT

	Injection Valve	PP Foot filter with lip valve	Delivery tube 2mt PE 4x6	2mt PVC 4x6 Suction tube	1,5mt PVC 4x6 Bleed tube
STANDARD KIT					

DosingPump.ir