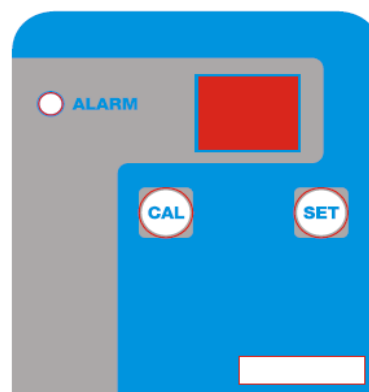


SOLENOID PUMP ME1S-PH

Data
Sheet

DESCRIPTION

- ✓ Proportional dosing pump with built in PH controller
- ✓ User friendly Keyboard with just two buttons: one for the semi-automatic calibration (CAL) and one for settings (SET)
- ✓ Automatic calibration of the PH probe on a single point PH 7.00
- ✓ Programmable Set Point between pH 6.00 and 8.00
- ✓ Automatic recognition of PH probe efficiency
- ✓ Built in overdose alarm to avoid chemical surplus in the pool
- ✓ Suitable to dose PH minus products
- ✓ Easy to instal and minimum mantainance required
- ✓ Reinforced PP body
- ✓ Polycarbonate front panel
- ✓ Digital display with Stand by key and 5 status led
- ✓ Pump head with Manual bleed valve
- ✓ IP 65 Protection Degree
- ✓ Standard Power Supply 230 Vac
- ✓ 100% Made in Italy
- ✓ CE approved



OPTIONAL

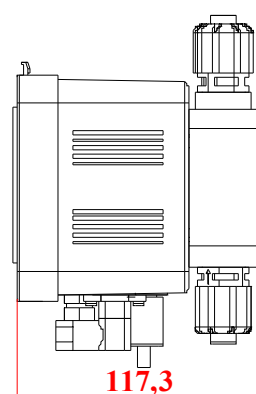
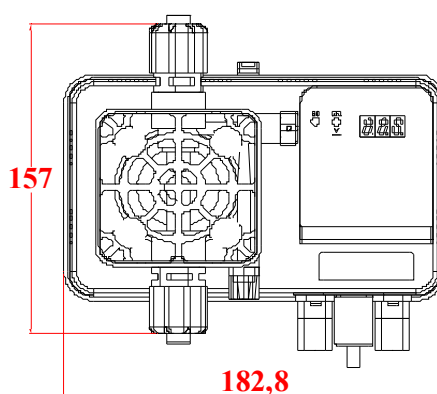
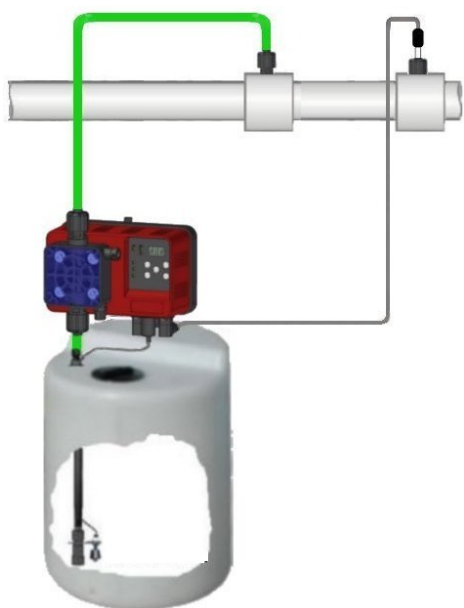
- ✓ PVDF pump head with PTFE seals (suitable to dose High Concentration Sodium Hypochlorite or strong Oxidizing agents)
- ✓ SCHUKO plug
- ✓ ON / OFF switch

	DESCRIPTION	
Standard Version	Standars Material	Upon Request
Pump Head	PP 1/2"	PVDF1/2"
Balls	Pyrex	Ceramic, PTFE, AISI 316
Diaphragm	PTFE	-----
Fittings	PP	PVDF
Seals	Viton®	EPDM
Valve Body	PP 4 x 6	PVDF 4 x 6
Foot Filter	PP 4 x 6 lip valve	PVDF 4 x 6 ball valve
Injection Valve	PP 4 x 6 ball valve	PVDF 4x6 ball valve
Suction Tube	PVC 4 x 6	PVDF
Delivery Tube	PE 4 x 6	PVDF

SOLENOID PUMP ME1S-PH

Data
Sheet

TECHNICAL SPECIFICATIONS											
Standard	Max l/h	Pressure		Max cc / imp	Stroke	Solenoid	Pump Head	Power [Watt]	Pulses	Weight	
		Bar	PSI							kg.	Lbs
02-02	02	02	29	0,22	0,9	Ø 80	PP	50	180	3,5	6,7
05-02	05	02	29	0,52	1,1	Ø 80	PP	50	180	3,5	6,7



STANDARD KIT					
STANDARD KIT	Injection Valve	PP Foot filter with lip valve	Delivery tube 2mt PE 4x6	2mt PVC 4x6 Suction tube	1,5mt PVC 4x6 Bleed tube
	