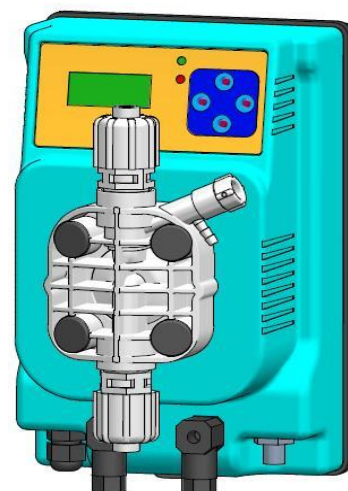


SOLENOID PUMP ME3-I

Data
Sheet

DESCRIPTION

- ✓ Digital solenoid pump with proportional flow rate according to water meter impulses
- ✓ 2 functions programmable by software: **1/n (Division)** and **1xn (Multiplication)**
- ✓ 2 different working modes: **constant** or **proportional**
- ✓ 4 different languages menu: **Italian, French, Spanish** and **English**
- ✓ Built-in Overdose alarm
- ✓ Starting time delay setting
- ✓ Backlit digital 8x2 display
- ✓ Reinforced PP body
- ✓ IP 65 Protection Degree
- ✓ Instant flow rate showed in %
- ✓ 100% Made in Italy
- ✓ CE approved
- ✓ Standard Power Supply 230 Vac
- ✓ ON/OFF switch



OPTIONAL

- ✓ Level probe input
- ✓ PVDF pump head with PTFE seals (suitable to dose High Concentration Sodium Hypochlorite or strong Oxidizing agents)



DESCRIPTION		
	Standard Material	Upon Request
Standard Version		
Pump Head	PP 1/2" fitting	PVDF 1/2" fitting
High Flow Rate model		
Pump Head	PVDF 1/2" fitting	PP 1/2" fitting
High Pressure model		
Pump Head	PVDF 1/2" fitting	PP 1/2" fitting
Balls	Pyrex	Ceramic, PTFE, AISI 316
Diaphragm	PTFE	-----
Fittings	PP	PVDF
Seals	Viton®	EPDM
Valve Body	PP 4 x 6	PVDF 4 x 6
Foot Filter	PP 4 x 6 lip valve	PVDF 4 x 6 ball valve
Injection Valve	PP4 x 6 ball valve	PVDF 4x6 ball valve
Suction Tube	PVC 4 x 6	PVDF 4 x 6
Delivery Tube	PE 4 x 6	PVDF 4 x 6

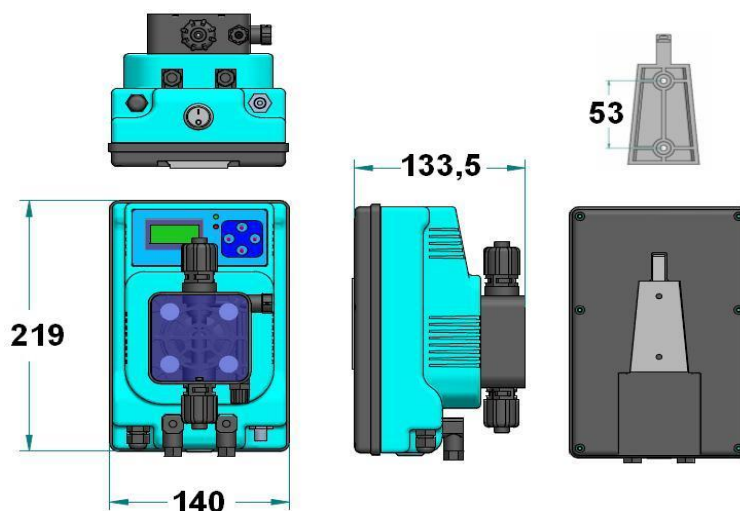
Specifications subject to change without notice

Via Maestri del Lavoro,5 - 02100 Vazia (RI) - ITALY Tel.: +39(0)746-229064; Fax: +39(0)746-221224
e-mail: info@microdos.it ; Web site: www.microdos.it

SOLENOID PUMP ME3-I

Data
Sheet

TECHNICAL SPECIFICATIONS											
Standard	Max l/h	Pressure		Max cc / imp	Stroke	Solenoid	Pump Head	Power [Watt]	Pulses	Weight	
		Bar	PSI							kg.	Lbs
Standard		Bar	PSI							kg.	Lbs
10-02	10	02	29,4	1,11	1,3	Ø 80	PP	60	150	3,5	7,7
05-10	05	10	145	0,55	1,1	Ø 80	PP	60	150	3,5	7,7
04-12	04	12	176	0,44	0,9	Ø 80	PP	60	150	3,5	7,7
High Flow Rate											
24-01	24	01	15	3,34	2,2	Ø 90	PVDF	60	150	4,0	8,8
22-02	22	02	29	2,89	2,2	Ø 90	PVDF	60	150	4,0	8,8
High Pressure											
02-18	02	18	261	0,22	0,9	Ø 80	PVDF	60	150	4,0	8,8
03-15	03	15	218	0,33	1,3	Ø 80	PVDF	60	150	4,0	8,8



ACCESSORIES KIT



Specifications subject to change without notice

Via Maestri del Lavoro,5 - 02100 Vazia (RI) - ITALY Tel.:+ 39(0)746-229064; Fax:+ 39(0)746-221224
e-mail: info@microdos.it ; Web site: www.microdos.it