

# Electromagnetic Dosing Pumps



DosingPump.ir

SEKO S.p.A. reserve to itself the right to modify this price list without notice

## INDEX

<b>MAXIMA Series</b>	page 3
Codyfing System	page 5
Resume Table / Extraprice	page 7
Analog models	page 8
Digital models	page 9
MAXIMA PLUS Series	page 10
Maintenance Kit	page 11
Spare Parts	page 12
<b>TEKBA Series</b>	page 16
Codyfing System	page 18
Resume Table / Extraprice	page 20
Digital models	page 21
Maintenance Kit	page 22
Spare Parts	page 23
<b>TEKNA Series</b>	page 26
Codyfing System	page 28
Resume Table / Extraprice	page 30
Analog models	page 31
Digital models	page 33
12 Vdc Power Supply	page 35
Special Versions	page 36
Maintenance Kit	page 38
Spare Parts	page 39
<b>TEKNA ATEX Series</b>	page 43
Codyfing System	page 45
Resume Table	page 47
Digital models	page 48
Spare Parts	page 49
<b>KOMPACT Series</b>	page 52
Codyfing System	page 54
Maintenance Kit	page 55
Resume Table / Extraprice	page 56
Spare Parts	page 57
<b>INVIKTA Series</b>	page 58
Codyfing System	page 60
Resume Table / Extraprice	page 61
Spare Parts	page 62
<b>ACCESSORIES</b>	page 63
Mixers	page 65
Water meters	page 70
Tanks	page 74
Suction Devices	page 75
Valves	page 77
Pump head	page 78
Other accessories	page 79

DosingPump.ir

# MAXIMA Series

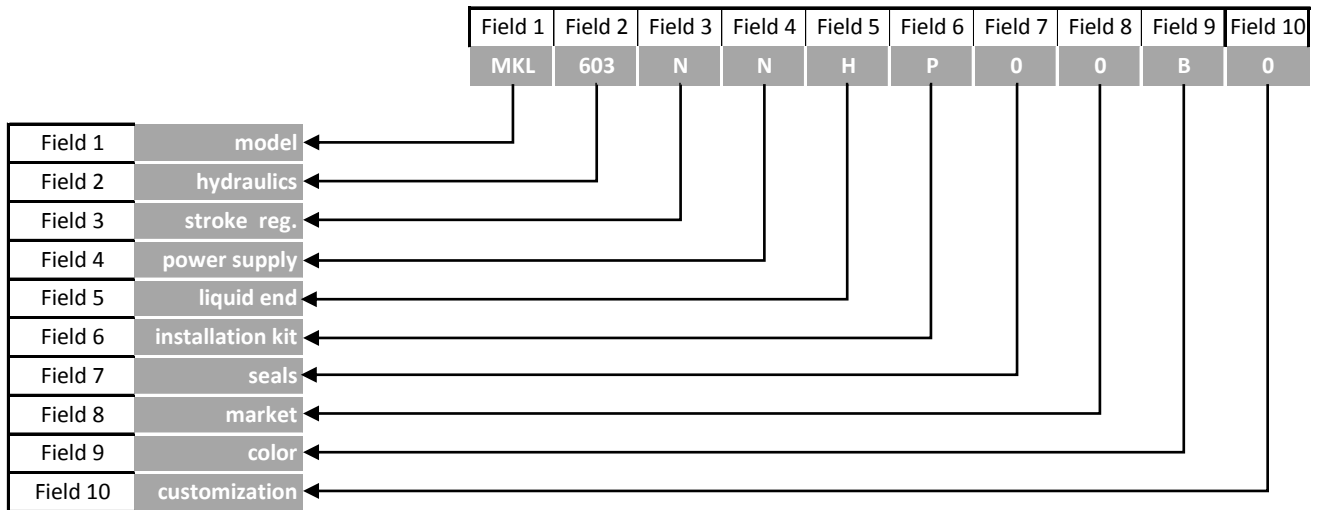


DosingPump.ir

## INDEX

<b>MAXIMA Series</b>	page 3
Codifying System	page 5
Resume Table	page 7
Extraprices	page 7
<b>ANALOG Models</b>	page 8
<b>DIGITAL Models</b>	page 9
<b>MAXIMA PLUS Series</b>	page 10
Maintenance Kit	page 11
Spare Parts	page 12

### MAXIMA Series - CODIFYING SYSTEM



Field 1	model	Analog		Digital	
		stroke reg.		stroke reg.	
		MKL		MPR	
		MAG	MGR	MPG	MRP

Field 2	hydraulics	bar	l/h	stroke/1'	ml/stroke	tubing Ø	consumption
500		20	0,4	120	0,06	in - 4/6 out - 4/7	
		16	0,8		0,11		
		10	1,2		0,17		
		6	1,5		0,21		
600		20	2,5	120	0,35	in - 4/6 out - 4/7	
		18	3		0,42		
		14	4,2		0,58		
		8	7		0,97		
603		12	4	160	0,42	in - 4/6 out - 4/6	
		10	5		0,52		
		8	6		0,63		
		2	8		0,83		
800		16	7	300	0,39	in - 4/6 out - 4/6	
		10	10		0,56		
		5	15		0,83		
		1	18		1,00		
803		5	20	300	1,11	in - 8/12 out - 8/12	
		4	32		1,78		
		2	62		3,44		
		0	110		6,11		

DosingPump.ir

**MAXIMA Series - CODIFYING SYSTEM**

Field 3 **stroke reg.** \_\_\_\_\_  
**N** WITHOUT regulation  
**E** ELECTRONIC regulation

Field 4 **power supply** \_\_\_\_\_  
**N** 100÷240 Vac 50/60 Hz  
**O** 24-48 Vac / Vdc *ONLY for MKL603 and MAG603*

Field 5	liquid end	Body	Connections	Balls	Diaphragm
	<b>H</b>	PVDF	PVDF	Ceramic	PTFE
	<b>A</b>	PVDF	PVDF	Ceramic	PTFE
	<b>I</b>	SS 316L		SS 316L	PTFE

**A** Pump head with automatic degassing valve, for **600**, **603** and **800** series.

Field 6 **installation kit** \_\_\_\_\_  
**H** PVDF  
**P** PVDF-T

Field 7 **seals** \_\_\_\_\_  
**0** FPM  
**1** EPDM  
**2** PTFE

Field 8 **market** \_\_\_\_\_  
**0** standard

Field 9 **color** \_\_\_\_\_  
**B** Blue / Grey - standard

Field 10 **customization** \_\_\_\_\_  
**0** standard

## MAXIMA Series - RESUME TABLE

### Common characteristics

- Analog and digital dosing pump with constant or proportional flow rate, manually adjustable 0-100%, level control input.
- Power supply standard: multivoltage 100÷ 240 Vac 50-60 Hz.
- Complete installation kit composed by: foot filter, injection valve, screws.
- PVC suction tube, PE delivery tube.
- PTFE diaphragm. Standard pump head in PVDF.
- Manually priming valve.
- Case made in PP reinforced with fiber glass. IP65 rated.
- **Special Version with *ELECTRONIC STROKE LENGHT REGULATION* :**
  - MAXIMA PLUS Series** - MGR800
  - MRP800

**MAXIMA Series - ANALOG MODELS**

## MKL series

- Analog interface and constant dosage
- Constant flow rate manually adjustable, 2 frequency range (/5), Power-ON led indicator and level control input.



Hydraulics	kit PVDF
500	
600	
603	
800	
803	

## MAG series

- Analog interface and constant dosage manually adjustable, proportional flow rate according to an external signal (4÷20 mA), or digital signal (water meter).
- Regulation knob (percentage and "n" value in multiplication mode); 6 position adjustable switch: 3 in division mode (1, 4, 10=n), 1 in multiplication mode (n=1÷10), 1 for proportional 4÷20 mA signal, 1 for constant functionality; Pacing function adjustable by dip-switch.



Hydraulics	kit PVDF
500	
600	
603	
800	
803	



**MAXIMA Series - DIGITAL MODELS**

## MPG series

- Constant flow rate manually adjustable, proportional flow rate according to an external analog (0/4-20 mA or 20-4/0 mA) or digital signal (water meter, 1:n or n:1); Timer function; Dosage in ppm; Dosage batch; Statistics; Password; Input ON-OFF (remote switch)
- Fast extractable electric connections protected by a lid.



Hydraulics	kit PVDF
500	
600	
603	
800	
803	

## MPR series

- Digital dosing pump with pH/Redox control meter on board. PT100 probe input (thermal compensation); repetition alarm relay ; Input On-Off (remote control); 4-20 mA output for measure replay.
- Fast extractable electric connections protected by a lid.



Hydraulics	kit PVDF
500	
600	
603	
800	
803	

DosingPump.ir

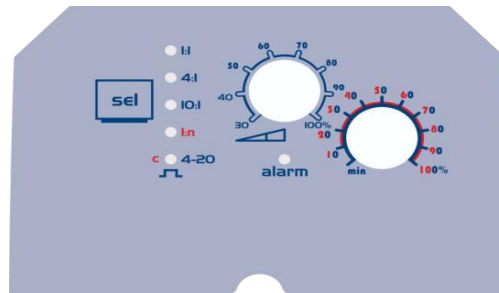
**MAXIMA PLUS Series - with ELECTRONIC STROKE LENGTH REGULATION**

Field 2	hydraulic	bar	l/h	stroke/1'	ml/stroke	tubing Ø	consumption
800		14	8	270	0,49	in - 4/6 out - 4/6	25 W
		10	10		0,62		
		6	12		0,74		
		2	25		1,54		

## MGR series

Hydraulics	kit PVDF
800	

- Analog interface and constant dosage manually adjustable, proportional flow rate according to an external signal (4÷20 mA), or digital signal (water meter).
- Regulation knob (percentage and "n" value in multiplication mode); 6 position adjustable switch: 3 in division mode (1, 4, 10=n), 1 in multiplication mode (n=1÷10), 1 for proportional 4÷20 mA signal, 1 for constant functionality; Pacing function adjustable by dip-switch.

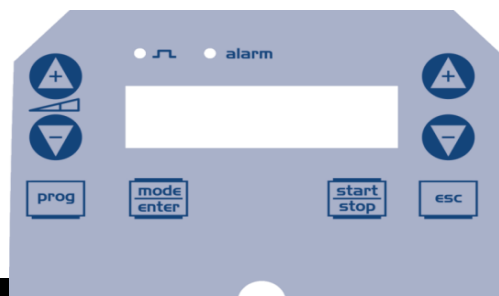


**NEW: ELECTRONIC stroke length regulation with ANALOG interface**

## MRP series

Hydraulics	kit PVDF
800	

- Constant flow rate manually adjustable, proportional flow rate according to an external analog (0/4-20 mA or 20-4/0 mA) or digital signal (water meter, 1:n or n:1); Timer function; Dosage in ppm; Dosage batch; Statistics; Password; Input ON-OFF (remote switch)
- Fast extractable electric connections protected by a lid.



**NEW: ELECTRONIC stroke length regulation with DIGITAL interface**

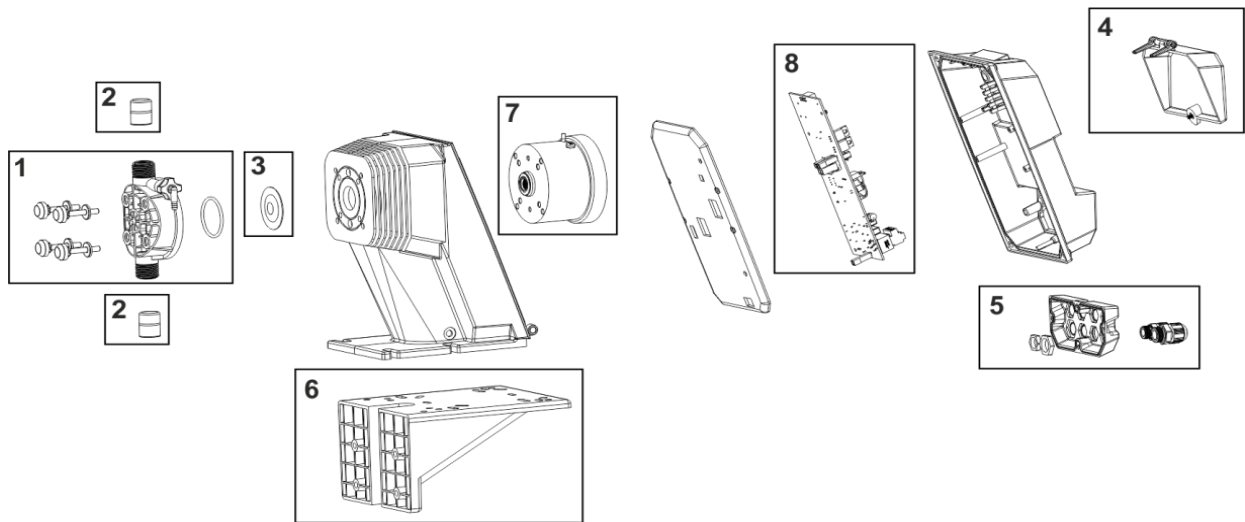
## MAXIMA Series - MAINTENANCE KIT

MAINTENANCE KIT is composed by:

- **Complete pump head**      Pump head  
    O-Ring  
    Screws  
    Protection cups of the screws
  
- **Diaphragm**
- **Installation kit**              Foot filter  
    Injection valve  
    2mt PE tube (delivery)  
    4mt PVC tube (suction and discharge)

material	seals	500	600	603	800	803	Code	
PVDF-T	FPM	•					EM99106890	
			•				EM99106891	
				•	•		EM99106892	
						•	EM99106893	
	EPDM	•						EM99106894
			•					EM99106895
				•	•			EM99106896
						•		EM99106897
PVDF	FPM	•					EM99106882	
			•				EM99106883	
				•	•		EM99106884	
						•	EM99106885	
	EPDM	•						EM99106886
			•					EM99106887
				•	•			EM99106888
						•		EM99106889

## MAXIMA Series - SPARE PARTS



Ref.	Description	500	600	603	800	803	Code
1	<b>Complete Pump Head:</b> made of <b>PVDF, Ceramic balls,</b> <b>FPM</b> seals and Valves	•	•				EM99106494
				•	•		EM99106490
						•	EM99106491
	<b>Complete Pump Head:</b> made of <b>PVDF, Ceramic balls,</b> <b>EPDM</b> seals and Valves	•	•				EM99106495
				•	•		EM99106192
						•	EM99106493

**COMPLETE PUMP HEAD is composed by:**  
**Pump Head with valve, pipe holder, pipe clamp and ring nut + screws and washers + security diaphragm o-ring**

2	<b>Valve assembly:</b> PVDF / Ceramic / FPM	•	•	•	•		EM99070105	
						•	EM99070106	
	<b>Valve assembly:</b> PVDF / Ceramic / EPDM	•	•	•	•		EM99070131	
						•	EM99070132	
3	<b>Diaphragm</b>	•					EM00050016	
			•	•	•		EM00050017	
						•	EM00050018	
4	<b>Front Panel Lid</b>		•	•	•	•	•	
5	<b>Wiring Terminal</b>	all models except MPR	•	•	•	•	•	
		MPR	•	•	•	•	•	
6	<b>KIT mounting bracket</b>		•	•	•	•	•	EM99106744
7	<b>Complete Solenoid</b>	•						EM99054020
				•				EM99054017
			•		•			EM99054015
						•		EM99054013

**MAXIMA Series - SPARE PARTS**

Ref.	Description		500	600	603	800	803	Code
8	ANALOGIC CIRCUIT 100÷240 Vac	MKL	•					EM99106850
				•				EM99106851
					•			EM99106852
						•		EM99106853
							•	EM99106854
8		MAG						
				•				EM99106855
					•			EM99106856
						•		EM99106857
						•	EM99106858	
8	DIGITAL CIRCUIT 100÷240 Vac	MPG	•					EM99106845
				•				EM99106847
					•			EM99106848
						•		EM99106849
							•	EM99106844
8		MPR	•					
				•				EM99106859
					•			EM99106860
						•		EM99106861
							•	EM99106862
8	MAXIMA PLUS	MGR				•		
		MRP				•		

DosingPump.ir

### MAXIMA Series - SPARE PARTS

Ref.	Description	500	600	603	800	803	Code
FITTING KIT PVDF	- Pipe holder <i>10 pcs</i>	•	•				EM99106499
	- Pipe clamp <i>10 pcs</i>			•	•		EM99106500
	- Ring nut <i>10 pcs</i>					•	EM99106501

Ref.	Description	500	600	603	800	803	Code
INSTALLATION KIT	Body <i>PVDF-T</i>	•	•				EM99106502
	Seals <i>FPM</i>			•	•		EM99106503
	Balls <i>CERAMIC</i>					•	EM99106504
	Body <i>PVDF-T</i>	•	•				EM99106505
	Seals <i>EPDM</i>			•	•		EM99106506
	Balls <i>CERAMIC</i>					•	EM99106507
	Body <i>PVDF</i>	•	•				EM99106508
	Seals <i>FPM</i>			•	•		EM99106509
	Balls <i>CERAMIC</i>					•	EM99106510
	Body <i>PVDF</i>	•	•				EM99106511
	Seals <i>EPDM</i>			•	•		EM99106512
	Balls <i>CERAMIC</i>					•	EM99106513

- Installation Kit composition:**
- Foot valve assembly
  - Injection valve assembly
  - 2m tube PE (delivery)
  - 4m tube PVC (suction and bleed)
  - Screws

Ref.	Description	500	600	603	800	803	Code
TUBE	Suction - PVC (100 mt)	•	•				0000090001
						•	0000090003
	Delivery - PE (100 mt)	•	•				0000090070
				•	•		0000090002
						•	0000090004
	PVDF (100 mt)	•	•	•	•		0000090144
					•	0000090143 *	

**\* tube size  $\varnothing$  8x10 - to sell in coupling with tube adapter:**

<b>2x</b>		<b>PVDF</b>	<b>EM99106280</b>
-----------	--	-------------	-------------------

**MAXIMA Series - SPARE PARTS**

Ref.	Description	500	600	603	800	803	Code		
Foot Filter KIT (3 pcs)	PVDF-T	FPM	•	•	•	•	•	9900107132	
								•	9900107133
		EPDM	•	•	•	•			9900107134
								•	9900107135
	PVDF	FPM	•	•	•	•		9900107122	
								•	9900107123
		EPDM	•	•	•	•			9900107126
								•	9900107127

Ref.	Description	500	600	603	800	803	Code		
Injection Valve KIT (5 pcs)	PVDF-T	FPM	•	•				9900107157	
					•	•			9900107158
								•	9900107137
		EPDM	•	•					9900107159
					•	•			9900107160
								•	9900107161
	PVDF	FPM	•	•				9900107162	
					•	•			9900107163
								•	9900107115
		EPDM	•	•					9900107164
					•	•			9900107165
								•	9900107166

DosingPump.ir

# TEKBA Series



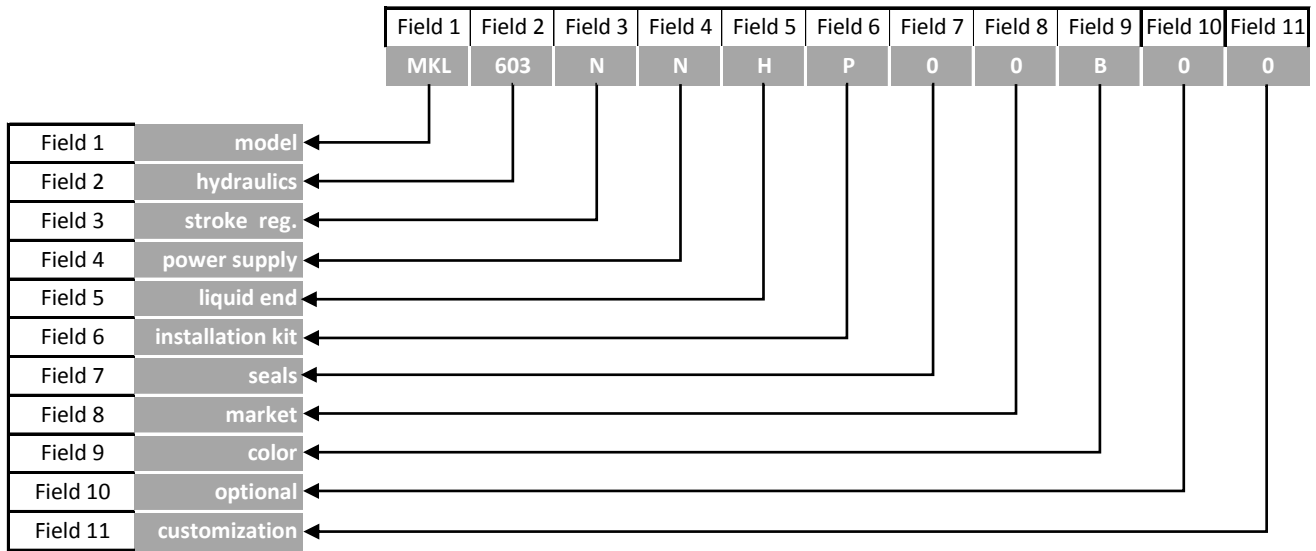
[DosingPump.ir](http://DosingPump.ir)



## INDEX

<b>TEKBA Series</b>	page 16
Codifying System	page 18
Resume Table	page 20
Extraprices	page 20
<b>DIGITAL Models</b>	page 21
Maintenance Kit	page 22
Spare Parts	page 23

## TEKBA Series - CODIFYING SYSTEM



Field 1	model	<b>Digital</b>
	<b>EML</b>	Adjustable constant dosing. Input level control
	<b>EMM</b>	Adjustable constant dosing, and proportional to an external analogic signal (4÷20 mA) Input level control
	<b>EMC</b>	Adjustable constant dosing, and proportional to an external digital signal (water meter) Input level control

Field 2	hydraulics	bar	l/h	stroke/1'	ml/stroke	tubing Ø	consumption
	<b>600</b>	20	2,5	120	0,35	in 4/6 - out 4/7	
	<b>603</b>	12	4	160	0,42	in-out 4/6	
	<b>800</b>	16	7	300	0,39	in-out 4/6	
	<b>803</b>	5	20	300	1,11	in-out 8/12	

Field 3	stroke reg.	<b>M</b> <i>standard</i> <span style="float: right;"><b>MECHANICAL</b></span>
---------	-------------	---

Field 4	power supply	<b>N</b> 100÷240 Vac 50/60 Hz <b>O</b> 24-48 Vac / Vdc <span style="float: right;"><b>ONLY for MKL603 and MAG603</b></span>
---------	--------------	--

Field 5	liquid end	Body	Connections	Balls	Diaphragm
	<b>H</b>	PVDF	PVDF	Ceramic	PTFE
	<b>A</b>	PVDF	PVDF	Ceramic	PTFE
	<b>I</b>	SS 316L		SS 316L	PTFE

**A** Pump head with automatic degassing valve, for **600**, **603** and **800** series.

**TEKBA Series - CODIFYING SYSTEM**

Field 6	installation kit	
	H	PVDF
	P	PVDF-T

Field 7	seals	
	0	FPM
	1	EPDM
	2	PTFE

Field 8	market	
	0	standard

Field 9	color		electronic	hydraulic
	B	standard	RAL5010	RAL7004

Field 10	optional	
	0	standard

Field 11	customization	
	0	standard

## TEKBA Series - RESUME TABLE

### Common characteristics

- Analog and digital dosing pump with constant or proportional flow rate, manually adjustable 0-100%, level control input.
- **EMM**: dosing proportional to an external analogic signal (4÷20 mA)
- **EMC**: dosing proportional to an external digital signal (water meter)
- Power supply standard: multivoltage 100÷ 240 Vac 50-60 Hz.
- Complete installation kit composed by: foot filter, injection valve, screws.
- PVC suction tube, PE delivery tube.
- PTFE diaphragm. Standard pump head in PVDF.
- Manually priming valve.
- Case made in PP reinforced with fiber glass. IP65 rated.

**TEKba Series - DIGITAL MODELS**

### EML Series

- Costant dosing manually adjustable. Input level sensor
- Electrical Connections Easily removable



Hydraulics	kit PVDF
600	
603	
800	
803	

### EMM Series

- Costant dosing manually adjustable, and proportional to an analogic signal (4÷20 mA). Input level sensor
- Electrical Connections Easily removable



Hydraulics	kit PVDF
600	
603	
800	
803	

### EMC Series

- Costant dosing manually adjustable, and proportional to a digital signal (water meter). Input level sensor
- Connessioni elettriche facilmente rimovibili



Hydraulics	kit PVDF
600	
603	
800	
803	

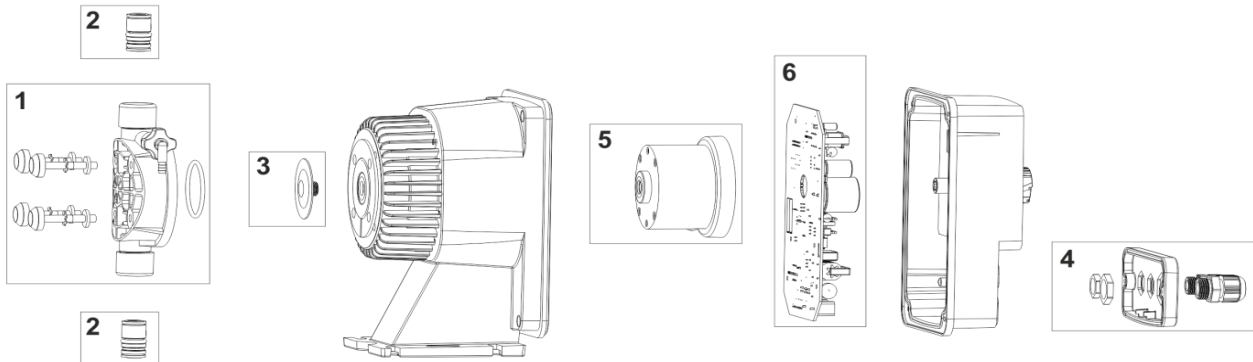
## TEKBA Series - MAINTENANCE KIT

MAINTENANCE KIT is composed by:

- **Complete pump head**
  - Pump head
  - O-Ring
  - Screws
  - Protection cups of the screws
  
- **Diaphragm**
- **Installation kit**
  - Foot filter
  - Injection valve
  - 2mt PE tube (delivery)
  - 4mt PVC tube (suction and discharge)

material	seals	600	603	800	803	Code
PVDF	FPM					EM99106882
		•				EM99106883
			•	•		EM99106884
					•	EM99106885
	EPDM					EM99106886
		•				EM99106887
			•	•		EM99106888
					•	EM99106889

### TEKBA Series - SPARE PARTS



Ref.	Description	600	603	800	803	Code
1	<b>Complete Pump Head:</b> made of <b>PVDF, Ceramic balls, FPM seals and Valves</b>	•				EM99106494
			•	•		EM99106490
					•	EM99106491
	<b>Complete Pump Head:</b> made of <b>PVDF, Ceramic balls, EPDM seals and Valves</b>	•				EM99106495
			•	•		EM99106192
					•	EM99106493
<b>COMPLETE PUMP HEAD is composed by:</b> Pump Head with valve, pipe holder, pipe clamp and ring nut + screws and washers + security diaphragm o-ring						

2	<b>Valve assembly:</b> PVDF / Ceramic / FPM	•	•	•		EM99070105	
					•	EM99070106	
	<b>Valve assembly:</b> PVDF / Ceramic / EPDM	•	•	•		EM99070131	
					•	EM99070132	
3	<b>Diaphragm</b>	•	•	•		EM00050017	
					•	EM00050018	
4	<b>Wiring Twterminal</b>	<b>EML</b>	•	•	•	•	
		<b>EMM - EMC</b>	•	•	•	•	
5	<b>Complete Solenoid</b>		•			EM99054017	
		•		•		EM99054015	
					•	EM99054013	

### TEKBA Series - SPARE PARTS

Ref.	Description	600	603	800	803	Code
6	EML	•				
			•			
				•		
					•	
6	EMM	•				
			•			
				•		
					•	
6	EMC	•				
			•			
				•		
					•	

Ref.	Description	600	603	800	803	Code
KIT conn.	- Pipe holder <i>10 pcs</i>	•				EM99106499
	- Pipe clamp <i>10 pcs</i>		•	•		EM99106500
	- Ring nut <i>10 pcs</i>				•	EM99106501

Ref.	Description	600	603	800	803	Code
INSTALLATION KIT	Body <i>PVDF</i>	•				EM99106508
	Seals <i>FPM</i>		•	•		EM99106509
	Balls <i>CERAMIC</i>				•	EM99106510
	Body <i>PVDF</i>	•				EM99106511
	Seals <i>EPDM</i>		•	•		EM99106512
	Balls <i>CERAMIC</i>				•	EM99106513

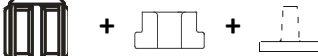
- Installation Kit composition:**
- *Foot valve assembly*
  - *Injection valve assembly*
  - *2m tube PE (delivery)*
  - *4m tube PVC (suction and bleed)*
  - *Screws*



**TEKBA Series - SPARE PARTS**

Ref.	Description	600	603	800	803	Code
TUBE	Suction - PVC (100 mt)	•				000090001
					•	000090003
	Delivery - PE (100 mt)	•				000090070
			•	•		000090002
					•	000090004
	PVDF (100 mt)	•	•	•		000090144
				•	000090143 *	

*\* tube size  $\phi$  8x10 - to sell in coupling with tube adapter:*

<b>2x</b>		PVDF				EM99106280
-----------	---	------	--	--	--	------------

Ref.	Description	600	603	800	803	Code	
Foot Filter KIT (3 pcs)	PVDF	FPM	•	•	•		9900107122
						•	9900107123
		EPDM	•	•	•		9900107126
						•	9900107127

Ref.	Description	600	603	800	803	Code	
Injection Valve KIT (5 pcs)	PVDF	FPM	•				9900107162
				•	•		9900107163
						•	9900107115
		EPDM	•				9900107164
				•	•		9900107165
						•	9900107166

# TEKNA Series



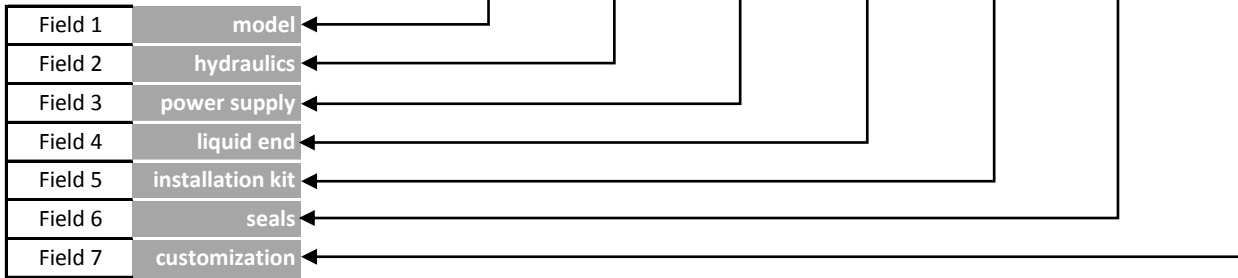
[DosingPump.ir](http://DosingPump.ir)

## INDEX

<b>TEKNA Serie s</b>	page 26
Codifying System	page 28
Resume Table	page 30
Extraprices	page 30
<b>ANALOG Models</b>	page 31
<b>DIGITAL Models</b>	page 33
<b>Power Supply 12 VDC</b>	page 35
<b>SPECIAL Versions</b>	page 36
Maintenance Kit	page 38
Spare Parts	page 39

## TEKNA Series - CODIFYING SYSTEM

Field 1	Field 2	Field 3	Field 4	Field 5	Field 6	Field 7
AKL	600	N	H	P	0	000



Field 1	model	Analog	Digital
	AKE		
	AKS		
	AKL		
	APG		TPG
	ATL		
			TPR
			TMP
			TCK

Field 2	hydraulics	bar	l/h	stroke/1'	ml/stroke	tubing Ø	consumption
500		20	0,4	120	0,06	in - 4/6 out - 4/7	
		16	0,8		0,11		
		10	1,2		0,17		
		6	1,5		0,21		
600		20	2,5	120	0,35	in - 4/6 out - 4/7	
		18	3		0,42		
		14	4,2		0,58		
		8	7		0,97		
603		12	4	160	0,42	in - 4/6 out - 4/6	
		10	5		0,52		
		8	6		0,63		
		2	8		0,83		
800		16	7	300	0,39	in - 4/6 out - 4/6	
		10	10		0,56		
		5	15		0,83		
		1	18		1,00		
803		5	20	300	1,11	in - 8/12 out - 8/12	
		4	32		1,78		
		2	62		3,44		
		0	110		6,11		

DosingPump.ir

**TEKNA Series - CODIFYING SYSTEM**

<b>Field 3</b>	<b>power supply</b>	
	<b>N</b>	100÷240 Vac 50/60 Hz
	<b>O</b>	24-48 Vac <i>ONLY for AKL603 and APG603</i>
	<b>L</b>	12 Vdc <i>ONLY for AKS812 and TPT812 (see page 17)</i>

<b>Field 4</b>	<b>liquid end</b>	<b>Body</b>	<b>Connections</b>	<b>Balls</b>	<b>Diaphragm</b>
	<b>H</b>	PVDF	PVDF	Ceramic	PTFE
	<b>A</b>	PVDF	PVDF	Ceramic	PTFE
	<b>C</b>	PVDF	PVDF	Ceramic	PTFE
	<b>I</b>	SS 316L		SS 316L	PTFE

**A** Pump head with automatic degassing valve, for **600**, **603** and **800** series.  
**C** Pump head for **CAR WASH** application, with special seals, for **603** and **800** series.

<b>Field 5</b>	<b>installation kit</b>	
	<b>H</b>	PVDF
	<b>P</b>	PVDF-T

<b>Field 6</b>	<b>seals</b>	
	<b>0</b>	FPM
	<b>1</b>	EPDM
	<b>2</b>	PTFE

<b>Field 7</b>	<b>customization</b>	
	<b>000</b>	standard

## TEKNA Series - RESUME TABLE

### Common characteristics

- Analog and digital dosing pump with constant or proportional flow rate, manually adjustable 0-100%, level control input (except that **AKS** model).
- Power supply standard: multivoltage 100÷ 240 Vac 50-60 Hz.
- Complete installation kit composed by: foot filter, injection valve, screws and fixing bracket.
- PVC suction tube, PE delivery tube.
- PTFE diaphragm. Standard pump head in PVDF.
- Manually priming valve.
- Case made in PP reinforced with fiber glass. IP65 rated.
- **Special Version:**

<b>AKE200</b>	<b>5 l/h @ 8 bar</b>
<b>AKL101</b>	<b>1÷6 l/d</b>
<b>AKS604</b>	<b>10 l/h @ 5 bar</b>
<b>ATL400</b>	<b>STD version</b>
<b>ATL400</b>	<b>AIR COND version</b>
<b>TPG300</b>	<b>0,5 l/h @ 5 bar</b>

**TEKNA Series - ANALOG MODELS**

### AKS series

- Analog interface and constant dosage
- Flow rate manually adjustable by knob on the front panel, Power-ON led indicator.



Hydraulics	kit PVDF-T	kit PVDF
500		
600		
603		
800		
803		

### AKL series

- Analog interface and constant dosage
- Constant flow rate manually adjustable, 2 frequency range (/5), Power-ON led indicator and level control input.



Hydraulics	kit PVDF-T	kit PVDF
500		
600		
603		
800		
803		

**TEKNA Series - ANALOG MODELS**

## APG series

- Analog interface and constant dosage manually adjustable, proportional flow rate according to an external signal (4÷20 mA), or digital signal (water meter).
- Regulation knob (percentage and "n" value in multiplication mode); 6 position adjustable switch: 3 in division mode (1, 4, 10=n), 1 in multiplication mode (n=1÷10), 1 for proportional 4÷20 mA signal, 1 for constant functionality; Pacing function adjustable by dip-switch.



Hydraulics	kit PVDF-T	kit PVDF
500		
600		
603		
800		
803		

## ATL series

- Analog interface and constant dosage manually adjustable and timed with Ton - Toff double regulation.  
3 regulation knobs (flow rate-percentage, Ton regulation and Toff regulation).



Hydraulics	kit PVDF-T	kit PVDF
500		
600		
603		
800		
803		



**TEKNA Series - DIGITAL MODELS**

## TPG series

- Constant flow rate manually adjustable, proportional flow rate according to an external analog (0/4-20 mA or 20-4/0 mA) or digital signal (water meter, 1:n or n:1); Timer function; Dosage in ppm; Dosage batch; Statistics; Password; Input ON-OFF (remote switch)
- Fast extractable electric connections protected by a lid.



Hydraulics	kit PVDF-T	kit PVDF
500		
600		
603		
800		
803		

## TPR series

- Digital dosing pump with pH/Redox control meter on board. PT100 probe input (thermal compensation); repetition alarm relay ; Input On-Off (remote control); 4-20 mA output for measure replay.
- Fast extractable electric connections protected by a lid.



Hydraulics	kit PVDF-T	kit PVDF
500		
600		
603		
800		
803		

DosingPump.ir

**TEKNA Series - DIGITAL MODELS**

## TMP series

- Digital dosing pump with Chlorine, Hydrogen Peroxide or Per-Acetic Acid controller Instrument on board set via Software. PT100 probe input for thermal compensation. Repetition alarm relay. Input On-Off for remote control. There is a 4-20 mA output for measure replay.
- Fast extractable electric connections protected by a lid.



Hydraulics	kit PVDF-T	kit PVDF
500		
600		
603		
800		
803		

## TCK series

- Digital dosing pump with constant flow rate or timed with a weekly timer to program at maximum ten feed times. Programmable timed relay by activation of a dry contact
- Fast extractable electric connections protected by a lid.



Hydraulics	kit PVDF-T	kit PVDF
500		
600		
603		
800		
803		

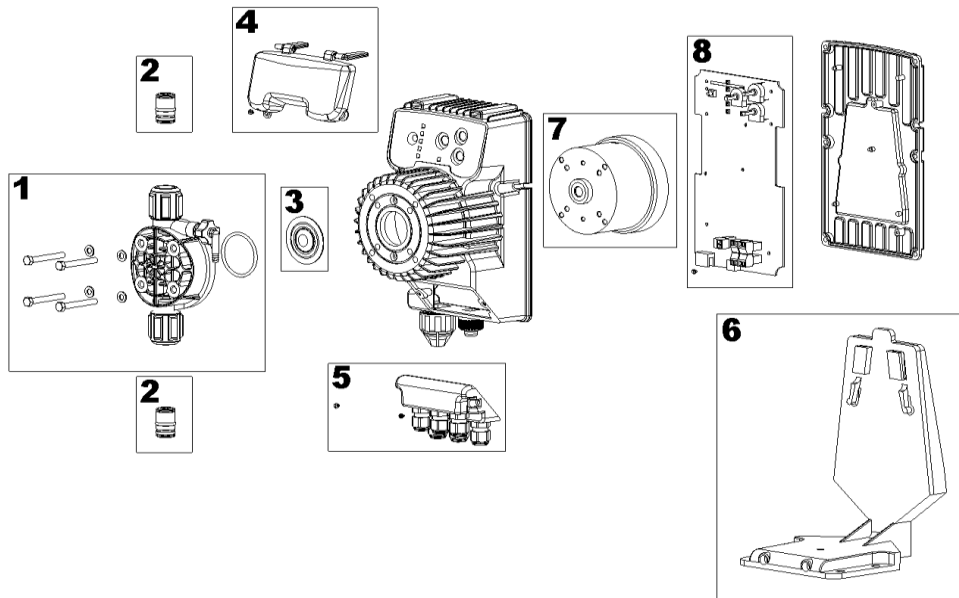
## TEKNA Series - MAINTENANCE KIT

MAINTENANCE KIT is composed by:

- **Complete pump head**      Pump head  
    O-Ring  
    Screws  
    Protection cups of the screws
  
- **Diaphragm**
- **Installation kit**            Foot filter  
    Injection valve  
    2mt PE tube (delivery)  
    4mt PVC tube (suction and discharge)

material	seals	500	600	603	800	803	Code
PVDF-T	FPM	•					EM99106890
			•				EM99106891
				•	•		EM99106892
						•	EM99106893
	EPDM	•					EM99106894
			•				EM99106895
				•	•		EM99106896
						•	EM99106897
PVDF	FPM	•					EM99106882
			•				EM99106883
				•	•		EM99106884
						•	EM99106885
	EPDM	•					EM99106886
			•				EM99106887
				•	•		EM99106888
						•	EM99106889

### TEKNA Series - SPARE PARTS



Ref.	Description	500	600	603	800	803	Code
1	<b>Complete Pump Head:</b> made of PVDF, Ceramic balls, FPM seals and Valves	•	•				EM99106494
				•	•		EM99106490
						•	EM99106491
	<b>Complete Pump Head:</b> made of PVDF, Ceramic balls, EPDM seals and Valves	•	•				EM99106495
				•	•		EM99106492
						•	EM99106493

**COMPLETE PUMP HEAD** is composed by:  
Pump Head with valve, pipe holder, pipe clamp and ring nut + screws and washers + security diaphragm o-ring

2	<b>Valve assembly:</b> PVDF / Ceramic / FPM	•	•	•	•		EM99070105	
						•	EM99070106	
	<b>Valve assembly:</b> PVDF / Ceramic / EPDM	•	•	•	•		EM99070131	
						•	EM99070132	
3	<b>Diaphragm</b>	•					EM00050016	
			•	•	•		EM00050017	
						•	EM00050018	
4	<b>Front Panel Lid</b>		•	•	•	•	•	EM99106496
5	<b>Wiring Terminal</b>	<b>APG-TPG-TCK-ATL</b>	•	•	•	•	•	EM99106497
		<b>TPR</b>	•	•	•	•	•	EM99106498
6	<b>KIT mounting bracket</b>		•	•	•	•	•	EM99106353
7	<b>Complete Solenoid</b>	•						EM99054020
				•				EM99054017
			•		•			EM99054015
							•	EM99054013

**TEKNA Series - SPARE PARTS**

Ref.	Description	500	600	603	800	803	Code
8	ANALOGIC CIRCUIT 100÷240 Vac	AKL - AKS	•				EM99106626
				•			EM99106433
					•		EM99106434
						•	EM99106435
							•
8	ANALOGIC CIRCUIT 100÷240 Vac	APG		•			EM99106429
					•		EM99106430
						•	EM99106431
							•
8	ANALOGIC CIRCUIT 100÷240 Vac	ATL		•			EM99106437
					•		EM99106438
						•	EM99106439
							•
8	DIGITAL CIRCUIT 100÷240 Vac	TPG	•				EM99106627
				•			EM99106531
					•		EM99106532
						•	EM99106533
							•
8	DIGITAL CIRCUIT 100÷240 Vac	TPR	•				EM99106535
				•			EM99106536
					•		EM99106537
						•	EM99106538
8	DIGITAL CIRCUIT 100÷240 Vac	TMP		•			EM99106708
					•		
						•	
							•
8	DIGITAL CIRCUIT 100÷240 Vac	TCK		•			EM99106539
					•		EM99106540
						•	EM99106541
							•

DosingPump.ir

### TEKNA Series - SPARE PARTS

Ref.	Description	500	600	603	800	803	Code
FITTING KIT PVDF	- Pipe holder <i>10 pcs</i>	•	•				EM99106499
	- Pipe clamp <i>10 pcs</i>			•	•		EM99106500
	- Ring nut <i>10 pcs</i>					•	EM99106501

Ref.	Description	500	600	603	800	803	Code
INSTALLATION KIT	Body <i>PVDF-T</i>	•	•				EM99106502
	Seals <i>FPM</i>			•	•		EM99106503
	Balls <i>CERAMIC</i>					•	EM99106504
	Body <i>PVDF-T</i>	•	•				EM99106505
	Seals <i>EPDM</i>			•	•		EM99106506
	Balls <i>CERAMIC</i>					•	EM99106507
	Body <i>PVDF</i>	•	•				EM99106508
	Seals <i>FPM</i>			•	•		EM99106509
	Balls <i>CERAMIC</i>					•	EM99106510
	Body <i>PVDF</i>	•	•				EM99106511
	Seals <i>EPDM</i>			•	•		EM99106512
	Balls <i>CERAMIC</i>					•	EM99106513

- Installation Kit composition:**
- Foot valve assembly
  - Injection valve assembly
  - 2m tube PE (delivery)
  - 4m tube PVC (suction and bleed)
  - Screws

Ref.	Description	500	600	603	800	803	Code
TUBE	Suction - PVC (100 mt)	•	•				0000090001
						•	0000090003
	Delivery - PE (100 mt)	•	•				0000090070
				•	•		0000090002
	PVDF (100 mt)	•	•	•	•		0000090144
						•	0000090143 *

**\* tube size  $\varnothing$  8x10 - to sell in coupling with tube adapter:**

<b>2x</b>		PVDF-T	EM99106293
		PVDF	EM99106280

**TEKNA Series - SPARE PARTS**

Ref.	Description		500	600	603	800	803	Code
Foot Filter KIT (3 pcs)	PVDF-T	FPM	•	•	•	•		9900107132
							•	9900107133
		EPDM	•	•	•	•		9900107134
							•	9900107135
	PVDF	FPM	•	•	•	•		9900107122
							•	9900107123
		EPDM	•	•	•	•		9900107126
							•	9900107127

Ref.	Description		500	600	603	800	803	Code
Injection Valve KIT (5 pcs)	PVDF-T	FPM	•	•				9900107157
					•	•		9900107158
							•	9900107137
		EPDM	•	•				9900107159
					•	•		9900107160
							•	9900107161
	PVDF	FPM	•	•				9900107162
					•	•		9900107163
							•	9900107115
		EPDM	•	•				9900107164
					•	•		9900107165
							•	9900107166

DosingPump.ir

# TEKNA ATEX Series



[DosingPump.ir](http://DosingPump.ir)



## INDEX

### TEKNA ATEX Series

Codifying System

Resume Table

page 43

page 45

page 47

### DIGITAL Models

Spare Parts

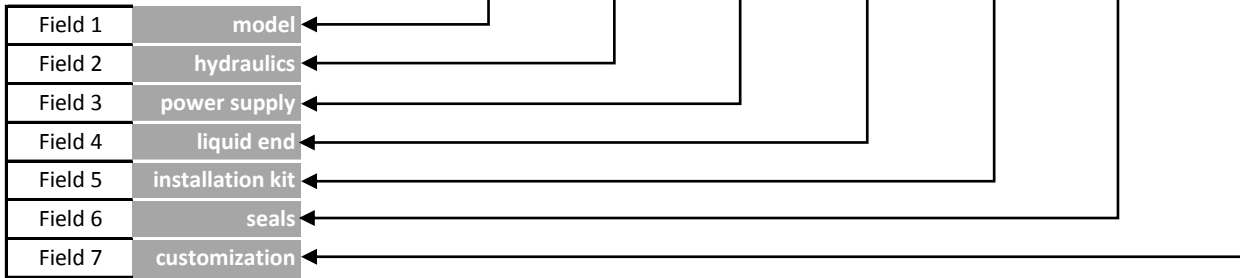
page 48

page 49

DosingPump.ir

**TEKNA ATEX Series - CODIFYING SYSTEM**

Field 1	Field 2	Field 3	Field 4	Field 5	Field 6	Field 7
TPG	600	N	I	0	0	0X0



Field 1	model	Digital
		TPG
		TCK

Field 2	hydraulics	bar	l/h	stroke/1'	ml/stroke	tubing Ø	consumption
500		20	0,4	120	0,06	in - 4/6 out - 4/7	
		16	0,8		0,11		
		10	1,2		0,17		
		6	1,5		0,21		
600		20	2,5	120	0,35	in - 4/6 out - 4/7	
		18	3		0,42		
		14	4,2		0,58		
		8	7		0,97		
603		12	4	160	0,42	in - 4/6 out - 4/6	
		10	5		0,52		
		8	6		0,63		
		2	8		0,83		
800		16	7	300	0,39	in - 4/6 out - 4/6	
		10	10		0,56		
		5	15		0,83		
		1	18		1,00		
803		5	20	300	1,11	in - 8/12 out - 8/12	
		4	32		1,78		
		2	62		3,44		
		0	110		6,11		

Field 3	power supply	N 100÷240 Vac 50/60 Hz
---------	--------------	------------------------

DosingPump.ir

**TEKNA ATEX Series - CODIFYING SYSTEM**

Field 4	liquid end	Body	Connections	Balls	Diaphragm
	<b>I</b>	SS 316		SS 316	PTFE
	<b>H</b>	PVDF	PVDF	Ceramic	PTFE

Field 5	installation kit
	<b>0</b> NO kit
	<b>H</b> PVDF

Field 6	seals
	<b>0</b> FPM
	<b>1</b> EPDM

Field 7	customization
	<b>OXO</b> standard ATEX - with field 4: <b>H</b> <i>pump head protection cover</i>

## TEKNA ATEX Series - RESUME TABLE

### Common characteristics

- Seko Tekna EVO TPG - ATEX Series is a solenoid dosing pump suitable for use in areas with ATEX classification:

CE  II 3GD  
Ex ic nA IIB T4 Gc  
Ex tc III CT120°C Dc IP65

- Digital dosing pump with constant or proportional flow rate, manually adjustable 0-100%, level control input .
- Power supply standard: multivoltage 100÷ 240 Vac 50-60 Hz.
- PTFE diaphragm. Standard pump head in SS 316. Also available in PVDF .
- Manually priming valve.
- Case made in Aluminium.

DosingPump.ir

**TEKNA ATEX Series - DIGITAL MODELS**

### TPG series

- Constant flow rate manually adjustable, proportional flow rate according to an external analog (0/4-20 mA or 20-4/0 mA) or digital signal (water meter, 1:n or n:1); Timer function; Dosage in ppm; Dosage batch; Statistics; Password; Input ON-OFF (remote switch)



Hydraulics	SS 316	PVDF
500		
600		
603		
800		
803		

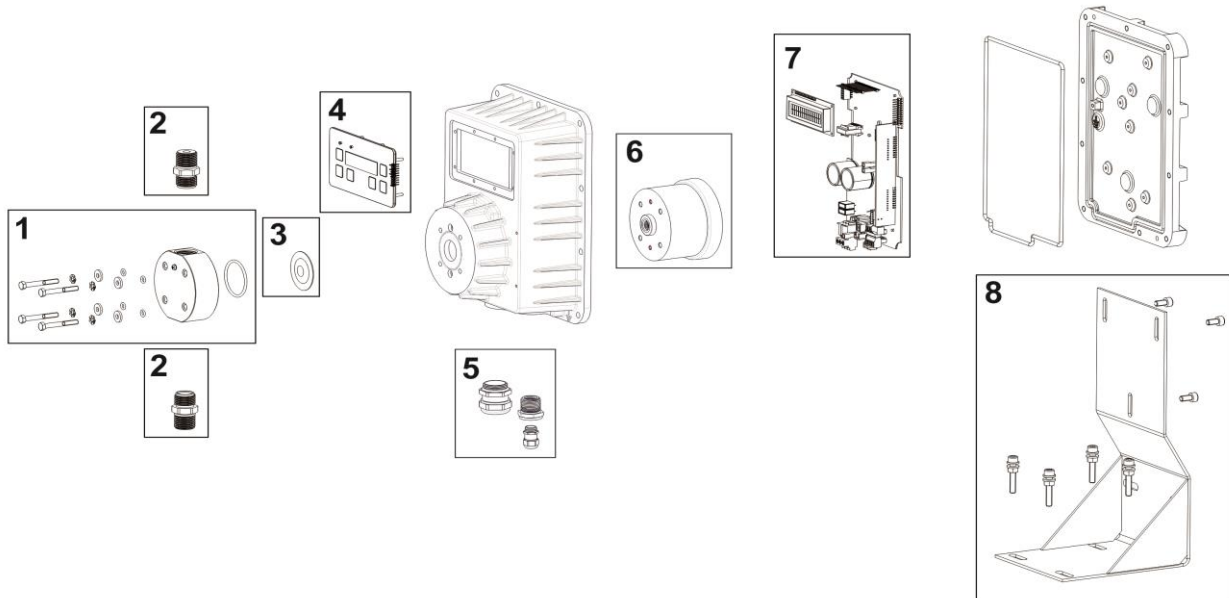
### TCK series

- Digital dosing pump with constant flow rate or timed with a weekly timer to program at maximum ten feed times. Programmable timed relay by activation of a dry contact



Hydraulics	SS 316	PVDF
500		
600		
603		
800		
803		

### TEKNA ATEX Series - SPARE PARTS



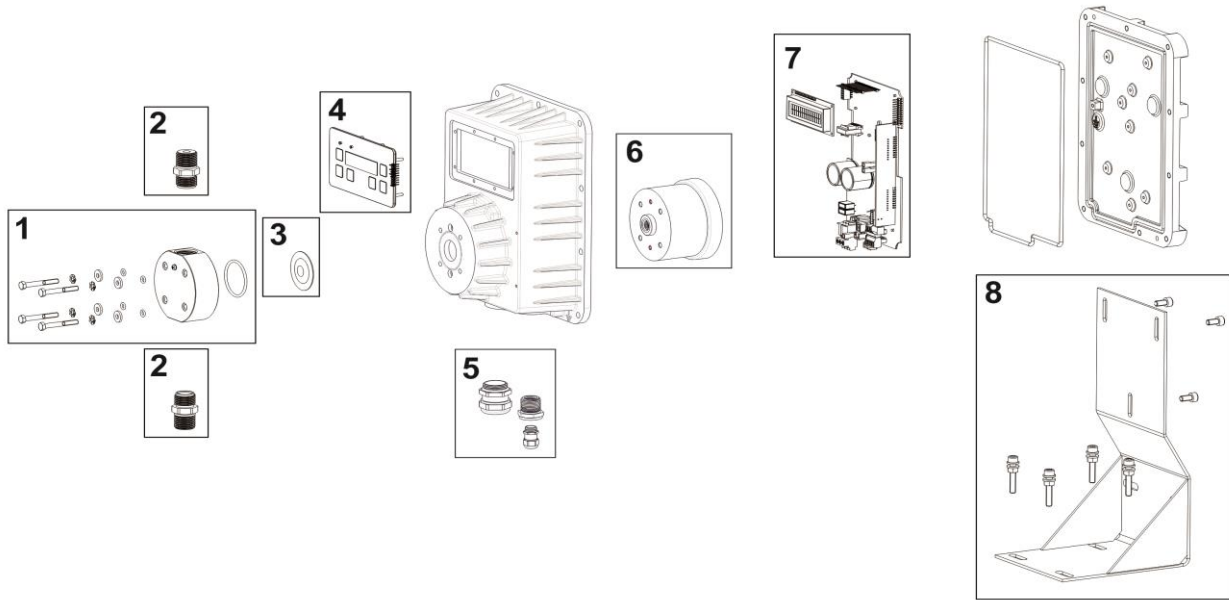
Ref.	Description	500	600	603	800	803	Code	
1	in <b>SS316L</b> , balls in <b>SS316L</b> , seal and valves in <b>FPM</b>	•	•	•	•			
						•		
	in <b>SS316L</b> , balls in <b>SS316L</b> , seal and valves in <b>EPDM</b>	•	•	•	•			
						•		
	<b>COMPLETE PUMP HEAD in SS 316L is composed by:</b>							
	<b>Pump Head with valve, screws and washers + security diaphragm o-ring</b>							
		in <b>PVDF</b> , balls in <b>Ceramic</b> , seal and valves in <b>FPM</b>	•	•				EM99106494
					•	•		EM99106490
							•	EM99106491
		in <b>PVDF</b> , balls in <b>Ceramic</b> , seal and valves in <b>EPDM</b>	•	•				EM99106495
				•	•		EM99106192	
						•	EM99106493	
<b>COMPLETE PUMP HEAD in PVDF is composed by:</b>								
<b>Pump Head with valve, pipe holder, pipe clamp and ring nut + screws and washers + security diaphragm o-ring</b>								

2	<b>Valve assembly:</b> SS316L / SS316L / FPM	•	•	•	•		
						•	
	<b>Valve assembly:</b> SS316L / SS316L / EPDM	•	•	•	•		
						•	
	<b>Valve assembly:</b> PVDF / Ceramic / FPM	•	•	•	•		EM99070105
						•	EM99070106
	<b>Valve assembly:</b> PVDF / Ceramic / EPDM	•	•	•	•		EM99070131
						•	EM99070132

3	<b>Diaphragm</b>	•					EM00050016
			•	•	•		EM00050017
						•	EM00050010

DosingPump.ir

**TEKNA ATEX Series - SPARE PARTS**



Ref.	Description	500	600	603	800	803	Code	
4	Panel - Keyboard	•	•	•	•	•		
5	Wiring terminal	•	•	•	•	•		
6	Complete solenoid	•					EM99054020	
				•			EM99054017	
			•		•		EM99054015	
						•	EM99054013	
7	DIGITAL CIRCUIT 100÷240 Vac	TPG	•					EM99106627
				•				EM99106531
					•			EM99106532
						•		EM99106533
		TCK					•	EM99106534
				•				EM99106539
					•			EM99106540
						•		EM99106541
					•	EM99106542		
8	Kit mounting bracket	•	•	•	•	•	EM99106824	

DosingPump.ir

**TEKNA ATEX Series - SPARE PARTS - PVDF version**

Ref.	Description	500	600	603	800	803	Code
<b>FITTING KIT</b>	- Pipe holder <b>10 pcs</b>	•	•				EM99106499
	- Pipe clamp <b>10 pcs</b>			•	•		EM99106500
	- Ring nut <b>10 pcs</b>					•	EM99106501

Ref.	Description	500	600	603	800	803	Code
<b>INSTALLATION KIT</b>	Body <b>PVDF</b>	•	•				EM99106508
	Seals <b>FPM</b>			•	•		EM99106509
	Balls <b>CERAMIC</b>					•	EM99106510
	Body <b>PVDF</b>	•	•				EM99106511
	Seals <b>EPDM</b>			•	•		EM99106512
	Balls <b>CERAMIC</b>					•	EM99106513

- Installation Kit composition:**
- Foot valve assembly
  - Injection valve assembly
  - 2m tube PE (delivery)
  - 4m tube PVC (suction and bleed)
  - Screws

Ref.	Description	500	600	603	800	803	Code
<b>TUBE</b>	Suction - PVC (100 mt)	•	•				0000090001
						•	0000090003
	Delivery - PE (100 mt)	•	•				0000090070
				•	•		0000090002
						•	0000090004
	PVDF (100 mt)	•	•	•	•		0000090144
					•	0000090143 *	

**\* tube size  $\varnothing$  8x10 - to sell in coupling with tube adapter:**

<b>2x</b>	+             +	PVDF-T					EM99106293
		PVDF					EM99106280

Ref.	Description	500	600	603	800	803	Code	
<b>Foot Filter KIT (3 pcs)</b>	<b>PVDF</b>	<b>FPM</b>	•	•	•	•		9900107122
							•	9900107123
		<b>EPDM</b>	•	•	•	•		9900107126
							•	9900107127

Ref.	Description	500	600	603	800	803	Code	
<b>Injection Valve KIT (5 pcs)</b>	<b>PVDF</b>	<b>FPM</b>	•	•				9900107162
					•	•		9900107163
							•	9900107115
		<b>EPDM</b>	•	•				9900107164
					•	•		9900107165
							•	9900107166



# KOMPACT Series



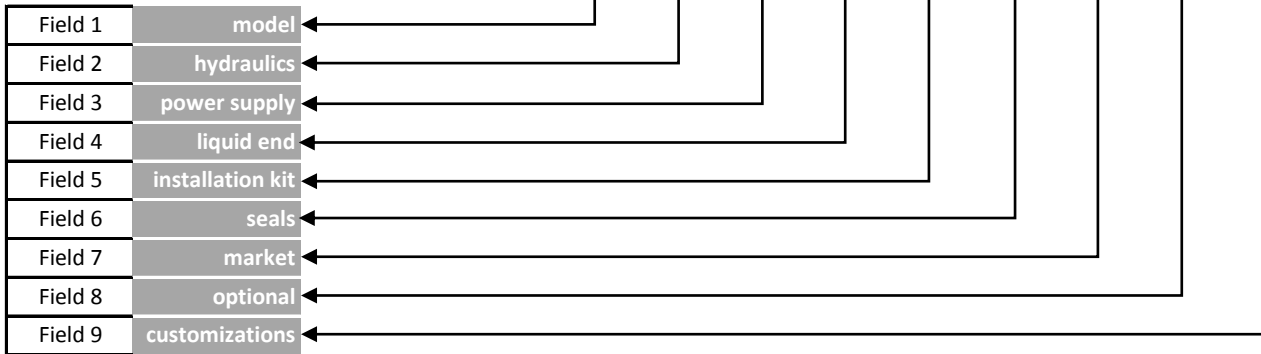
DosingPump.ir

## INDEX

KOMPACT Series	page 52
Codifying System	page 54
Maintenance Kit	page 55
Resume Table	page 56
Extraprices	page 56
Spare Parts	page 57

## KOMPACT Series - CODIFYING SYSTEM

Field 1	Field 2	Field 3	Field 4	Field 5	Field 6	Field 7	Field 8	Field 9
AML	200	N	P	E	0	0	0	0



Field 1	model	Analog	Digital
	AMS		
	AML		
	AMM		
	AMC		
			DPT
			DRP

Field 2	hydraulics	bar	l/h	stroke/1'	ml/stroke	tubing Ø	consumption
	200	8	5	160	0,52	in - 4/6	
		10	3		0,31	out - 4/6	

Field 3	power supply
	<b>A</b> 230 Vac 50 Hz - <i>AMS only</i>
	<b>N</b> 100÷240 Vac 50/60 Hz
	<b>O</b> 24 Vac / Vdc

Field 4	liquid end	Body	Balls	Seals	Diaphragm
	<b>P</b>	PVDF-T	Ceramic	FPM	PTFE
	<b>C</b>	PVDF-T	Ceramic	FPM / EPDM	PTFE <i>for CAR WASH use</i>
	<b>H</b>	PVDF	Ceramic	FPM / EPDM	PTFE

Field 5	installation kit
	<b>E</b> PVDF-T
	<b>H</b> PVDF

DosingPump.ir

### KOMPACT Series - CODIFYING SYSTEM

Field 6	seals	
	0 FPM	
	1 EPDM	

Field 7	market	
	0 ALL	
	U USA market	
	7 BRASIL market	
	8 CHINA market	
	... ..	

Field 8	optional	
	0 standard	

Field 9	customization	
	0 standard	

### KOMPACT Series - MAINTENANCE KIT

- MAINTENANCE KIT** is composed by:
- **Complete pump head**      Pump head  
    O-Ring  
    Screws  
    Protection cups of the screws
  - **Diaphragm**
  - **Installation kit**              Foot filter  
    Injection valve  
    2mt PE tube (delivery)  
    4mt PVC tube (suction and discharge)

DosingPump.ir

MATERIAL	SEALS	200	Code
PVDF-T	FPM	•	EM99106898
	EPDM	•	EM99106899

## KOMPACT Series - RESUME TABLE

### Common characteristics

- Analog and digital dosing pump with constant or proportional flow rate, manually adjustable 0-100%, level control input (except that **AMS** model).
- Power supply standard: multivoltage 100÷ 240 Vac 50-60 Hz (except that **AMS** model). 24 Vac/Vdc on request.
- Complete installation kit composed by: foot filter, injection valve, screws and fixing bracket.
- PVC suction tube, PE delivery tube.
- PTFE diaphragm.
- Manually priming valve.
- Case made in PP reinforced with fiber glass. IP65 rated.

### ANALOG models

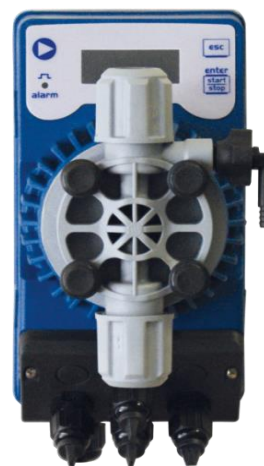
- Solenoid dosing pump with constant flow rate, manually adjustable 0-100%.
- Solenoid dosing pump with constant flow rate, manually adjustable, two frequency range (0÷20% - 0÷100%), level control input.
- Solenoid dosing pump with constant flow rate manually adjustable, and proportional flow rate according to an external analog (4-20 mA) signal, level control input.
- Solenoid dosing pump with constant flow rate manually adjustable, and proportional flow rate according to an external digital (water meter) signal, Division Mode 4:1, level control input.



Hydraulics
<b>AMS</b>
<b>AML</b>
<b>AMM</b>
<b>AMC</b>

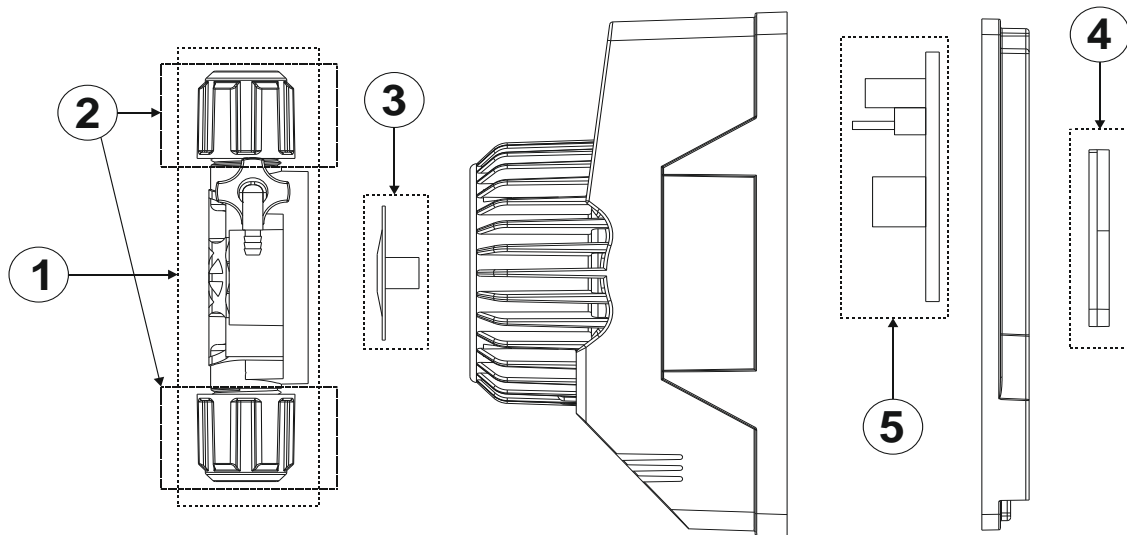
### DIGITAL models

- Digital dosing pump with constant flow rate manually adjustable, with proportional flow rate according to an external analog (0/4-20 mA or 20-4/0 mA) or digital signal (water meter, hall sensor or voltage signal ); Timed dosing with a weekly programmable timer; Dosage in ppm; Dosage batch; Statistics; Password. Input On-Off (remote control).
- Digital dosing pump with constant flow rate manually adjustable, with proportional flow rate according the measured pH or Redox value. PT100 probe input (thermal compensation). Input On-Off (remote control).



Model
<b>DPT</b>
<b>DRP</b>

### KOMPACT Series - SPARE PARTS



Ref.	Description		Model	Code
1	<b>Complete Pump Head</b> - made of PVDF-T, Ceramic balls, seals and Valves made of:	FPM	<i>all the models</i>	EM99106299
		EPDM		EM99106300
	<b>Complete Pump Head</b> - made of PVDF, Ceramic balls, seals and Valves made of:	FPM		EM99106413
<b>COMPLETE PUMP HEAD is composed by:</b> Pump Head with valve, pipe holder, pipe clamp and ring nut + screws and washers + security diaphragm o-ring				
2	<b>Valve assembly</b> - Suction + Discharge (PVDF-T / Ceramic), seals made of:	FPM	<i>all the models</i>	EM99070063
		EPDM		EM99070064
3	<b>Diaphragm</b>		<i>all the models</i>	EM99106341
4	<b>Mounting bracket</b>		<i>all the models</i>	EM99106823
5	<b>Electronic Control Boards</b>		AMS	EM99106754
			AML	EM99106755
			AMC	EM99106756
			AMM	EM99106757
			DPT	
			DRP	EM99106929
			Display	
	<b>PVC Suction tube</b>	100 mt	<i>all the models</i>	0000090001
	<b>PE delivery tuve</b>			0000090002
	<b>Installation Kit- PP:</b> Foot valve, Screws, Injection valve, 2m PE tube (delivery), 4 mt PVC tube (suction and bleed) Seals made of:	FPM	<i>all the models</i>	EM99106769
		EPDM		EM99106768

## INVIKTA Series



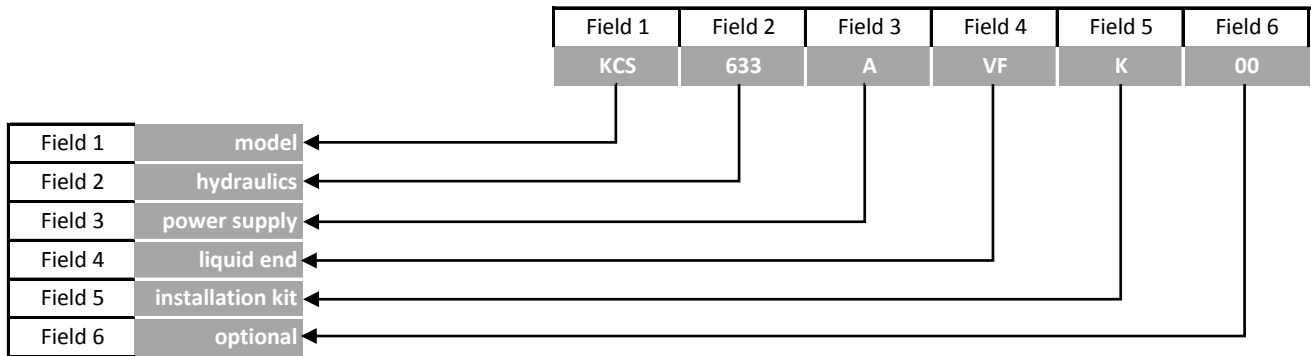
[DosingPump.ir](http://DosingPump.ir)

## INDEX

INVIKTA Series	page 58
Codifying System	page 60
Resume Table	page 61
Extraprices	page 61
Spare Parts	page 62



## INVIKTA Series - CODIFYING SYSTEM



Field 1	model	<b>Analog</b>
		KCS

Field 2	hydraulics	bar	l/h	stroke/1'	ml/stroke	tubing Ø	consumption
	<b>620</b>	1	0,2	20	0,17	in - 4/6  out - 4/6	
	<b>630</b>	7	0,6	100	0,10		
	<b>631</b>	2	5	110	0,76		
	<b>632</b>	7	2	100	0,33		
	<b>633</b>	5	5	160	0,52		

Field 3	power supply	_____
	<b>A</b>	230 Vac 50 Hz
	<b>O</b>	24 Vac 50-60 Hz

Field 4	liquid end	Body	Balls	Seals	Diaphragm
	<b>VF</b>	PVDF-T	Ceramic	FPM	PTFE
	<b>VE</b>	PVDF-T	Ceramic	EPDM	PTFE
	<b>CF</b>	PVDF-T	Ceramic	FPM	PTFE <i>for CAR WASH use</i>
	<b>CE</b>	PVDF-T	Ceramic	EPDM	PTFE <i>for CAR WASH use</i>
	<b>HF</b>	PVDF	Ceramic	FPM	PTFE

Field 5	installation kit	_____
	<b>K</b>	KOMPACT type - standard
	<b>D</b>	Detergent
	<b>R</b>	Rinse
	<b>S</b>	Silent ( only injection valve )
	<b>W</b>	Water Treatment (only with <b>HF</b> pump head)

Field 6	optional	_____
	<b>00</b>	STANDARD
	<b>70</b>	BRASIL market
	<b>80</b>	CHINA market
	...	.....

DosingPump.ir

## INVIKTA Series - RESUME TABLE

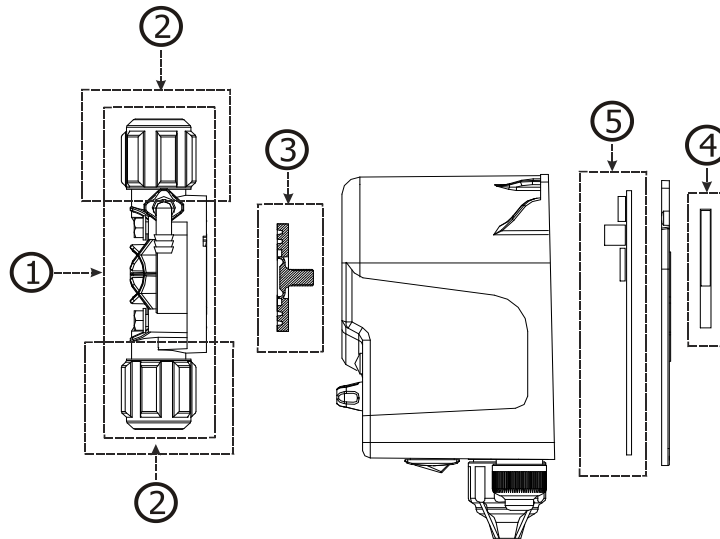
- Analog solenoid dosing pump - manually adjustable 0-100%
- Power supply standard: 230 Vac 50-60 Hz (24 Vac 50-60 Hz on request)
- Complete installation kit composed by: foot filter, injection valve, screws and fixing bracket.
- PVC suction tube, PE delivery tube.
- PTFE diaphragm. PVDF-T pump head as standard.
- Manually priming valve.
- Case made in PP reinforced with fiber glass. IP65 rated.
- **Special Version:**        **620**    **"Silent "**  
  **630**    **"Low Flow "**

## KCS series



Hydraulics
<b>620</b>
<b>630</b>
<b>631</b>
<b>632</b>
<b>633</b>

### INVIKTA Series - SPARE PARTS



Ref.	Description	Model	Code
1	<b>Complete Pump Head</b> - made of PVDF-T, Ceramic balls, seals and Valves made of:	FPM	EM99106299
		EPDM	EM99106300
	<b>Complete Pump Head</b> - made of PVDF, Ceramic balls, seals and Valves made of:	FPM	EM99106413

**Complete Pump Head:**

Body pump with valves + Screws and washers + Security diaphragm o-ring

2	<b>Valve assembly</b> - Suction + Discharge (PVDF-T / Ceramic), seals made of:	FPM	<i>all the models</i>	EM99070063
		EPDM	<i>all the models</i>	EM99070064
3	<b>Diaphragm</b>		<i>all the models</i>	EM99106341
4	<b>Mounting bracket</b>		<i>all the models</i>	EM99106303
5	<b>Electronic Control Boards</b>		620	
			630	
			631	
			632	EM99106997
			633	EM99106998
	<b>PVC Suction tube</b>	100 mt	<i>all the models</i>	000090001
	<b>PE delivery tube</b>			000090002
	<b>WTD Installation Kit- PVC</b> Foot valve, Screws, Injection valve, 2m PE tube (delivery), 4 mt PVC tube (suction and bleed) Seals made of:	FPM	<i>all the models</i>	EM99106309
		EPDM		EM99106307
	<b>DETERGENT</b> installation kit: foot valve, screw, injection valve, 2m PE tubing (delivery), 4 m PVC tubing (suction)	PP / EPDM	631	EM99106306
	<b>RINSE</b> installation kit: foot valve, screw, injection valve, 6-8 mm adapter, 2m PE tubing (delivery), 4 m PVC tubing (suction)	PP / FPM	632	EM99106308

# ACCESSORIES

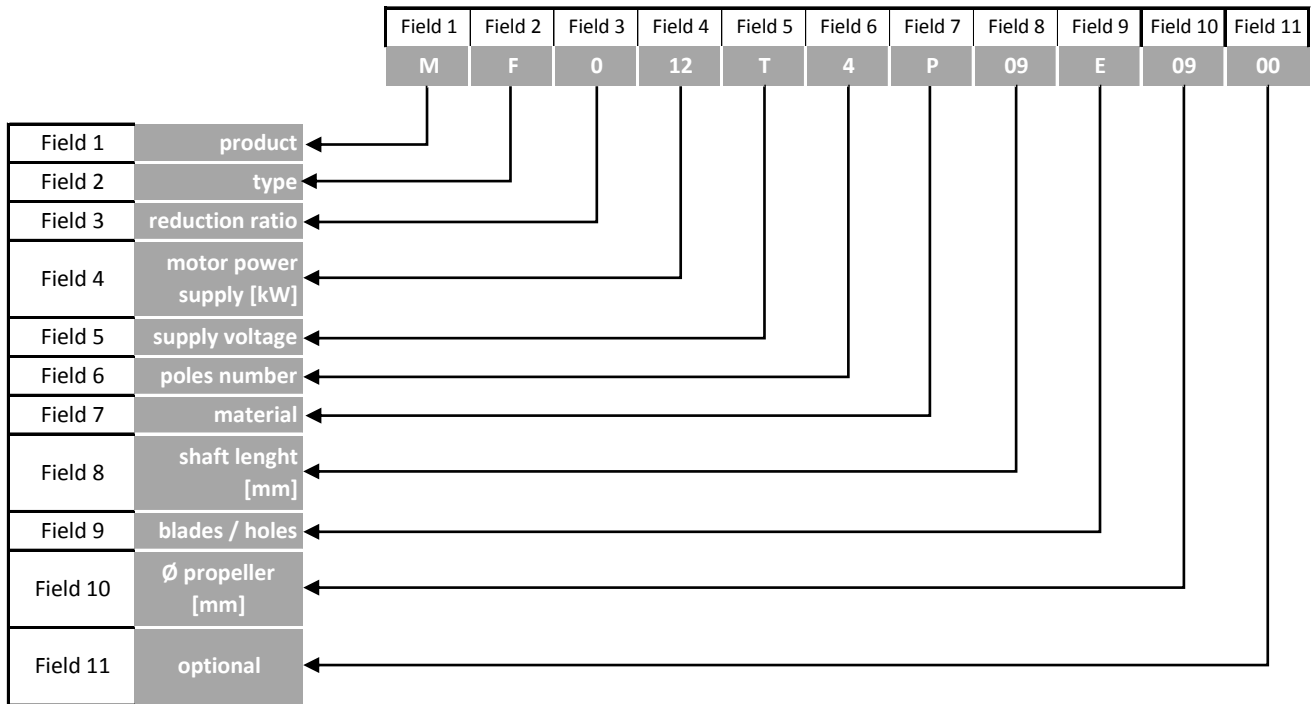


DosingPump.ir

## INDEX

<b>ACCESSORIES</b>	page 63
<b>MIXERS</b>	
Codifying System	page 65
Resume Table	page 67
Spare Parts	page 68
<b>WATER METER</b>	
Codifying System	page 70
Resume Table <i>THREADED</i>	page 72
Spare Parts	page 72
Resume Table <i>FLANGED</i>	page 73
DIMENSIONS	page 73
<b>Tank</b>	
Suction Devices	page 74
Valve	page 75
Pump Head	page 77
Other Accessories	page 78
	page 79

## ACCESSORIES - Mixers - CODYFING SYSTEM



Field 1	product	
	<b>M</b>	Mixers

Field 2	type	
	<b>F</b>	Fast - <i>without Reduction Gear</i>
	<b>S</b>	Slow - <i>with Reduction Gear</i>

Field 3	reduction ratio	
	<b>0</b>	1:1    Fast Speed - <b>ONLY</b> with <b>F</b> type
	<b>1</b>	1:7    200 rpm
	<b>2</b>	1:20    70 rpm
	...	... : ...

Field 4	motor power	kW	
	<b>12</b>		0,12
	<b>18</b>		0,18
	<b>25</b>		0,25
	<b>37</b>		0,37
	...		.....

Field 5	supply voltage	<i>and phases</i>	
	<b>M</b>		230 Vac 50 Hz - 1phase
	<b>N</b>		230 Vac 60 Hz - 1phase
	<b>T</b>		230 / 400Vac 50-60 Hz - 3phases

**ACCESSORIES - Mixers - CODYFING SYSTEM**

Field 6	poles number	
	2	2 poles
	4	4 poles
	6	6 poles
	8	8 poles

Field 7	material	
	A	SS 316
	P	PVC
	V	PVDF
	T	PTFE
	...	.....

Field 8	shaft length	mm
	06	600
	08	800
	09	900
	11	1100

Field 9	blades / holes	
	A	2
	B	3 WITH HOLES
	C	6
	D	2
	E	3 WITHOUT HOLES
	F	6

Field 10	∅ propeller	mm
	09	90
	15	150
	22	220

Field 11	optional	
	00	standard
	...	.....

## ACCESSORIES - Mixers - RESUME TABLE

FAST 1400 rpm		shaft mm	propeller mm	motor kW	material	code		SER model
	3 phases	600	90	0,12	PVC	<b>MF012T4P06D0900</b>		
					AISI 316	MF012T4A06D0900	<b>250</b>	
		800			PVC	MF012T4P08D0900	<b>300</b>	
					AISI 316	MF012T4A08D0900	<b>500</b>	
		900			PVC	MF012T4P09D0900	<b>1000</b>	
					AISI 316	MF012T4A09D0900		
		1100			PVC	MF012T4P11D0900		
					AISI 316	MF012T4A11D0900		
	1 phase	600	90		PVC	<b>MF012M4P06D0900</b>	<b>100</b>	
					AISI 316	MF012M4A06D0900	<b>250</b>	
		800			PVC	<b>MF012M4P08D0900</b>	<b>300</b>	
					AISI 316	MF012M4A08D0900	<b>500</b>	
		900			PVC	MF012M4P09D0900	<b>1000</b>	
					AISI 316	MF012M4A09D0900		
1100		PVC			MF012M4P11D0900			
		AISI 316			MF012M4A11D0900			
<b>EXTRA PRICE on PVC version</b>					<b>PVDF</b>	<b>all</b>		

Mixers normally in stock are in **BOLD**

SLOW 200 rpm		shaft mm	propeller mm	motor kW	material	code		SER model
	3 phases	600	150	0,12	PVC	<b>MS112T4P06E1500</b>		
					AISI 316	MS112T4A06E1500	<b>250</b>	
		800			PVC	MS112T4P08E1500	<b>300</b>	
					AISI 316	MS112T4A08E1500	<b>500</b>	
		900			PVC	MS112T4P09E2200	<b>1000</b>	
					AISI 316	MS112T4A09E2200		
		1100			PVC	MS112T4P11E2200		
					AISI 316	MS112T4A11E2200		
	1 phase	600	150		PVC	<b>MS112M4P06E1500</b>	<b>100</b>	
					AISI 316	MS112M4A06E1500	<b>250</b>	
		800			PVC	MS112M4P08E1500	<b>300</b>	
					AISI 316	MS112M4A08E1500	<b>500</b>	
		900			PVC	MS112M4P09E2200	<b>1000</b>	
					AISI 316	MS112M4A09E2200		
		1100			PVC	MS112M4P11E2200		
					AISI 316	MS112M4A11E2200		
<b>EXTRA PRICE on PVC version</b>					<b>PVDF</b>	<b>all</b>		

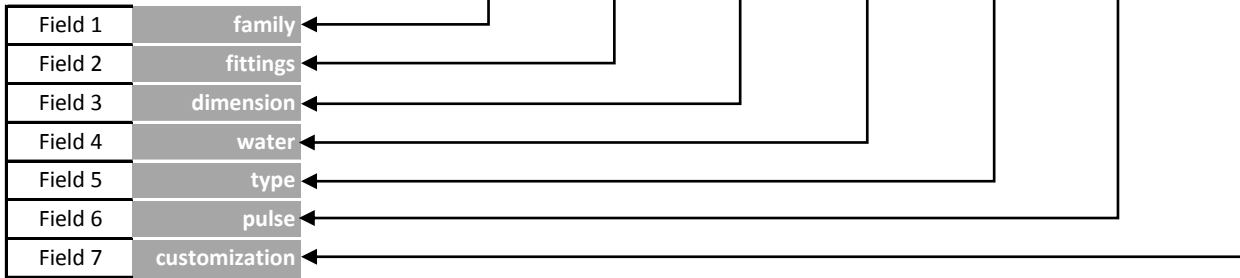
Mixer-Tank Advised combination

DosingPump.ir



**ACCESSORIES - Water Meters - CODYFING SYSTEM**

Field 1	Field 2	Field 3	Field 4	Field 5	Field 6	Field 7
WM	F	050	H	0	A	0



Field 1	family	
	<b>WM</b>	Water Meter

Field 2	fittings	
	<b>T</b>	Threaded
	<b>F</b>	Flanged

Field 3	dimension	
	<b>013</b>	1/2"
	<b>020</b>	3/4"
	<b>025</b>	1" Threaded
	<b>030</b>	1 1/4"
	<b>040</b>	1 1/2"
	<b>050</b>	2"
	<b>050</b>	2"
	<b>065</b>	2 1/2"
	<b>080</b>	3" Flanged
	<b>100</b>	4"
	<b>150</b>	6"

Field 4	water		T° MAX threaded	T° MAX flanged
	<b>C</b>	Cold	30° C	50° C
	<b>H</b>	Hot	90° C	120° C

Field 5	type	
	<b>0</b>	Water Meter
	<b>1</b>	Water Meter + Pulse Sender

**ACCESSORIES - Water Meters - CODYFING SYSTEM**

Field 6	pulse
0	0
A	1
D	4
<hr/>	
0	0
I	100
L	1000

Field 7	customization
0	standard
B	BNC connector
W	wet

**ACCESSORIES - THREADED Water Meters - RESUME TABLE**

### TC1 series

- Single-jet water meters with pulse sender, dry dial and roller reading.
- Suitable for cold water up to 30° C.



inch	mm	4 pulse/l	1 pulse/l
1/2"	13	<b>WMT013C1D0</b>	<b>WMT013C1A0</b>
3/4"	20	<b>WMT020C1D0</b>	<b>WMT020C1A0</b>
1"	25	<b>WMT025C1D0</b>	<b>WMT025C1A0</b>
1"¼	30	<b>WMT030C1D0</b>	<b>WMT030C1A0</b>
1"½	40	<b>WMT040C1D0</b>	<b>WMT040C1A0</b>
2"	50	<b>WMT050C1D0</b>	<b>WMT050C1A0</b>

### TH1 series

- Single-jet water meters with pulse sender, dry dial and roller reading.
- Suitable for cold water up to 90° C.



inch	mm	4 pulse/l	1 pulse/l
1/2"	13	<b>WMT013H1D0</b>	<b>WMT013H1A0</b>
3/4"	20	<b>WMT020H1D0</b>	<b>WMT020H1A0</b>
1"	25	<b>WMT025H1D0</b>	<b>WMT025H1A0</b>
1"¼	30	<b>WMT030H1D0</b>	<b>WMT030H1A0</b>
1"½	40	<b>WMT040H1D0</b>	<b>WMT040H1A0</b>
2"	50	<b>WMT050H1D0</b>	<b>WMT050H1A0</b>

### TC0 series

- Single-jet water meters without pulse sender, dry dial and roller reading.
- Suitable for cold water up to 30° C.

inch	mm	DRY dial	Price	WET dial
1/2"	13	<b>WMT013C000</b>	€ 80,00	<b>WMT013C00W</b>
3/4"	20	<b>WMT020C000</b>	€ 92,00	<b>WMT020C00W</b>
1"	25	<b>WMT025C000</b>	€ 136,00	<b>WMT025C00W</b>
1"¼	30	<b>WMT030C000</b>	€ 171,00	<b>WMT030C00W</b>
1"½	40	<b>WMT040C000</b>	€ 285,00	<b>WMT040C00W</b>
2"	50	<b>WMT050C000</b>	€ 542,00	<b>WMT050C00W</b>

*and Price*

DosingPump.ir

**ACCESSORIES - FLANGED Water Meters SPECIFICATION TABLE**

ask to Factory for Codes and

## FC series

- Water-meter Woltmann series with dry dial reading and pulse sender.
- Suitable for cold water up to 30° C.



inch	mm	FC100	Price
2"	DN 50	WMF050C110	€ 618,00
2"1/2	DN 65	WMF065C110	€ 733,00
3"	DN 80	WMF080C110	€ 826,00
4"	DN 100	WMF100C110	€ 977,00

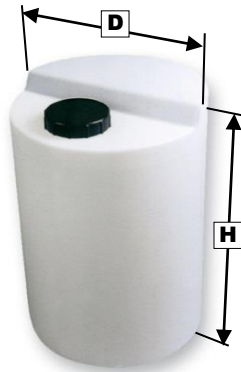
inch	mm	FC100	Price
6"	DN 150	WMF150C110	€ 1.277,00

DosingPump.ir

**ACCESSORIES - Tanks - RESUME TABLE**

### SER series

- Tanks made of FOOD GRADE POLYETHYLENE, with litre graduation.

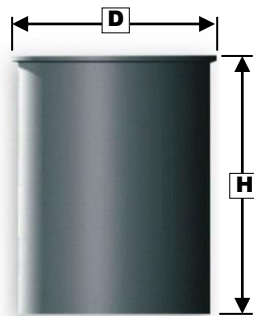


Model	H	Ø D	Code
SER 50	45,5	40	0000120042
SER 100	64	46	0000120043
SER 250	87	59,5	0000120044
SER 300	95	67	0000120045
SER 500	118,5	76	0000120046
SER 1000	122	108,5	0000120047

**ACCESSORIES - Uncovered Security Tanks - RESUME TABLE**

### T series

- Tanks made of POLYETHYLENE, to contain tanks SER Series.



Model	for SER	H cm	Ø D cm	Code
T 150	SER 100	75,5	51	0000120070
T 300	SER 250	87,5	67	0000120071
T 400	SER 300	99	72	0000120072
T 800	SER 500	120	90	0000120073
T 1500	SER 1000	134	122	0000120074

**ACCESSORIES - Suction Devices - RESUME TABLE**

- Pre-assembled suction devices made of PVC/PP with foot valve to allow accurate operation of the metering pump. Suction devices are equipped with foot filter. Standard version in FPM; EPDM version available on request.



Ø 4x6	Ø 8x12	Dimension	Tank suitability	Code
•		450x22	<b>SER 50</b>	9900100074
	•	450x34		9900100076
•		650x22	<b>SER 100</b>	9900100085
	•	650x34		9900100089
•		900x22	<b>SER 250</b>	9900100084
	•	900x34		9900100088
•		1050x22	<b>SER 300</b>	9900100158
	•	1050x34		9900100162
•		1250x22	<b>SER 500</b>	9900100159
	•	1250x34	<b>SER 1000</b>	9900100163

- Pre-assembled suction devices made of PVC/PP **with single level control** that allows to stop the pump or to give alarm 50 mm above the lowest suction point. Standard version in FPM; EPDM version available on request.



Ø 4x6	Ø 8x12	Dimension	Tank suitability	Code
•		450x22	<b>SER 50</b>	9900100075
	•	450x34		9900100077
•		650x22	<b>SER 100</b>	9900100087
	•	650x34		9900100165
•		900x22	<b>SER 250</b>	9900100086
	•	900x34		9900100090
•		1050x22	<b>SER 300</b>	9900100160
	•	1050x34		9900100166
•		1250x22	<b>SER 500</b>	9900100161
	•	1250x34	<b>SER 1000</b>	9900100167

**ACCESSORIES - Suction Devices - RESUME TABLE**

## Accessories

- for Suction Devices



Description	Dimension	Code
<p>Level probe + bracket: Useful to avoid dry pump dosing. Supplied with bracket to be connected with TeknaEVO pump foot filter.</p>		EM99121000
<p>Level probe: Made of PVC. Useful to avoid dry pump dosing. Reliable and well-built, it is resistant with almost marked chemical products. Suitable for all application.</p>	450x22	9900100073
<p>Extension modules: Made of PVC. Available for all suction devices sizes. Useful to adapt suction devices to the chemical tank.</p>	200x22	9900106304
	200x34	9900106306
	450x22	9900106305
	450x34	9900106307
<p>Level probe protection tube: Made of PVC. Used to protect the probe against the turbulence around the level probe when a mixer is installed.</p>	580 mm	0000123061
	900 mm	0000123062
	1090 mm	0000123063
<p>Tank/cap adaptor: Used to protect the operator against the chemical product fumes because it closes hermetically the hole where suction devices is inserted.</p>		0000190006

**ACCESSORIES - Valves - RESUME TABLE**

## Valves



Description	Material	Code
<b>Multifunction Valve</b>		
PVDF body PTFE diaphragm Safety pressure adjustable: 0÷18 bar Pressure relief adjustable: 0÷5 bar <b>CONNECTION FOR 4/6 TUBE</b>	FPM	EM99106740
	EPDM	EM99106741
PVDF body PTFE diaphragm Safety pressure adjustable: 0÷18 bar Pressure relief adjustable: 0÷5 bar <b>CONNECTION FOR 8/12 TUBE</b>	FPM	EM99106742
	EPDM	EM99106743
<b>Backpressure Valve</b>		
PVDF body connection for 4/6 tube <b>FIXED BACKPRESSURE: 1,5 BAR</b>	FPM	EM99106628
	EPDM	EM99106629
PVDF body connection for 4/6 tube <b>ADJUSTABLE BACKPRESSURE: 0,5÷10 BAR</b>	FPM	EM99106630
	EPDM	EM99106631
PVC body connection for 4/6 and 8/12 tube <b>ADJUSTABLE BACKPRESSURE: 0,5÷10 BAR</b>	FPM	9900071123
	EPDM	9900071122
<b>Backpressure and Safety Valve - HY Series</b>		
PVC body Max flow rate: 50 l/h Max pressure: 10 bar Connection: 1/2" Gm - 4x6 and 8x12 tube PTFE diaphragm		
Backpressure Valve - <b>HYC</b>	FPM	9900071128
	EPDM	9900071131
Safety Valve - <b>HYS</b>	FPM	9900071129
	EPDM	9900071132
Multiple Valve Valve - <b>HYM</b>	FPM	9900071130
	EPDM	9900071133



**ACCESSORIES - Pump head - RESUME TABLE**

## Pump head



Description	Material	Code	
<b>Pump Head with Automatic Degassing Valve</b>			
PVDF body - Ceramic balls connection for 4/6 tube loss of performance: within 10% <i>TEKNA-MAXIMA, 600 - 603 - 800 series</i>	FPM	EM99106870	
<b>Pump head in SS316L</b>			
body in SS316L - balls in SS316L <i>TEKNA-MAXIMA, 500 - 600 - 603 - 800 series</i>	FPM	EM99106944	
	EPDM		
body in SS316L - balls in SS316L <i>TEKNA-MAXIMA, 803 serie</i>	FPM		
	EPDM	EM99106943	
<b>Flow Sensor</b>			
connection for 4/6 and 8/12 tube	PVC	FPM	EM99106776
	PMMA	FPM	EM99106753
	PVDF	FPM	EM99106783
	PVC	EPDM	EM99106781
	PMMA	EPDM	
	PVDF	EPDM	